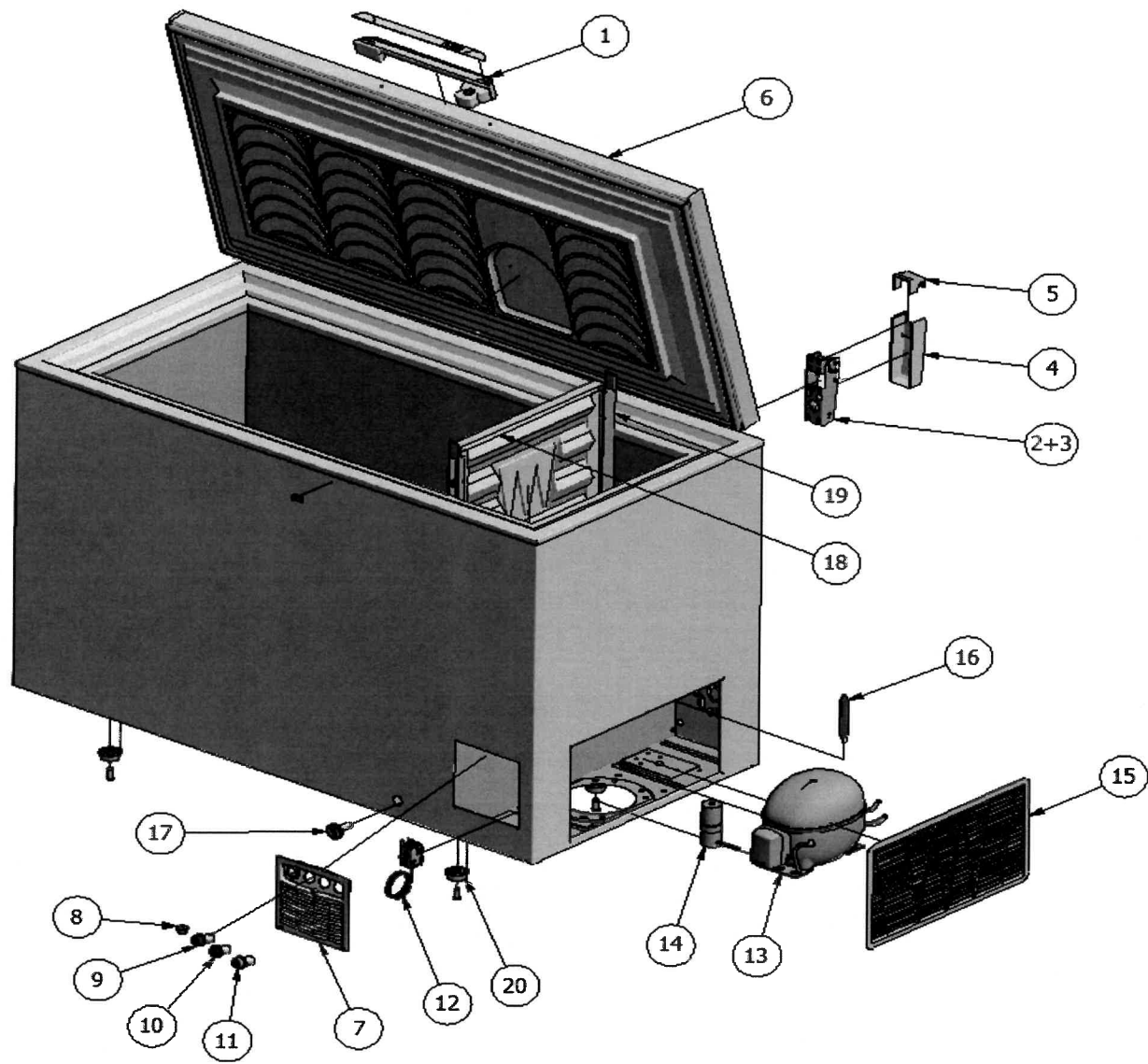


Ersatzteilliste-Explosionszeichnung

Energiespar-Tiefkühltruhe Serie EL XLE





ITEM NO.	DESCRIPTION	11 XLE		21 XLE		31 XLE		41 XLE		51 XLE	
		CODE		CODE		CODE		CODE		CODE	

SOLID LIFTING LID

1	HANDLE EL W/LOCK	EPCH		EPCH		EPCH		EPCH		EPCH	
2	HINGE 0.0	---		----		HAENG00		HAENG00		HAENG00	
3	HINGE 4.2	2XHAENG42		----		----		----		----	
3	HINGE 4.6	----		2XHAENG46		2XHAENG46		----		----	
3	HINGE 4.9	----		----		----		2XHAENG49		2XHAENG49	
4	HINGE COVER LARGE	HAENGKAPHV-L		HAENGKAPHV-L		HAENGKAPHV-L		HAENGKAPHV-L		HAENGKAPHV-L	
5	HINGE COVER SMALL	HAENGKAPHV-S		HAENGKAPHV-S		HAENGKAPHV-S		HAENGKAPHV-S		HAENGKAPHV-S	
6	WHITE LID W/ HANDLE	8010.0105		8010.0205		8010.0303		8010.0404		8010.0500	

MOTOR COMPARTMENT

13	COMPRESSOR 230V/50Hz R600A	NLX8,8KK		NLX8.0KK2		NLX8.0KK2		NLX10KK2		NLX13KK.1	
14	STARTING RELAY	103N0016		103N0016		103N0016		103N0016		103N0016	

CONTROL PANEL

7	FRONT VENTILATION GRILL	PLASTMFP08		PLASTMFP08		PLASTMFP08		PLASTMFP08		PLASTMFP08	
8	THERMOSTATE BUTTON	PLASTD32		PLASTD32		PLASTD32		PLASTD32		PLASTD32	
9	LAMP GREEN ROUND	LAMPGRO		LAMPGRO		LAMPGRO		LAMPGRO		LAMPGRO	
10	LAMP RED ROUND	LAMPROD		LAMPROD		LAMPROD		LAMPROD		LAMPROD	
11	LAMP YELLOW ROUND	LAMPGUL		LAMPGUL		LAMPGUL		LAMPGUL		LAMPGUL	
12	THERMOSTATE XLE	TERMOSTAT15		TERMOSTAT15		TERMOSTAT15		TERMOSTAT15		TERMOSTAT15	

OTHER

15	GRILL FOR ENGINE COMPARTMENT	SP1417		SP1417		SP1417		SP1417		SP1417	
16	FILTER DRYER	FILTER6XH9		FILTER6XH9		FILTER6XH9		FILTER6XH9		FILTER6XH9	
17	STOPPER FOR OUTSIDE DRAIN	E1HU		E1HU		E1HU		E1HU		E1HU	
18	PARTITION	SKILLERUM2		SKILLERUM2		SKILLERUM2		SKILLERUM2		SKILLERUM2	
19	MOULDING F/ PARTITION	STYRLIST2 X 2		STYRLIST2 X 2		STYRLIST2 X 2		STYRLIST2 X 2		STYRLIST2 X 2	
20	FOOT COMPLETE	SP1412+SP1413		SP1412+SP1413		SP1412+SP1413		SP1412+SP1413		SP1412+SP1413	

Finanzen/Service
28307 Bremen
Thalendorststraße 15
Tel.+49 421 48557-0
Fax+49 421 488650
bremen@nordcap.de

Vertrieb Ost
12681 Berlin
Wolfener Straße 32/34, Haus K
Tel.+49 30 936684-0
Fax+49 30 936684-44
berlin@nordcap.de

Vertrieb West
40699 Erkrath
Max-Planck-Straße 30
Tel.+49 211 540054-0
Fax+49 211 540054-54
erkrath@nordcap.de

Vertrieb Nord
21079 Hamburg
Großmoorbogen 5
Tel.+49 40 766183-0
Fax+49 40 770799
hamburg@nordcap.de

Vertrieb Süd
55218 Ingelheim
Hermann-Bopp-Straße 4
Tel.+49 6132 7101-0
Fax+49 6132 7101-20
ingelheim@nordcap.de



www.nordcap.de