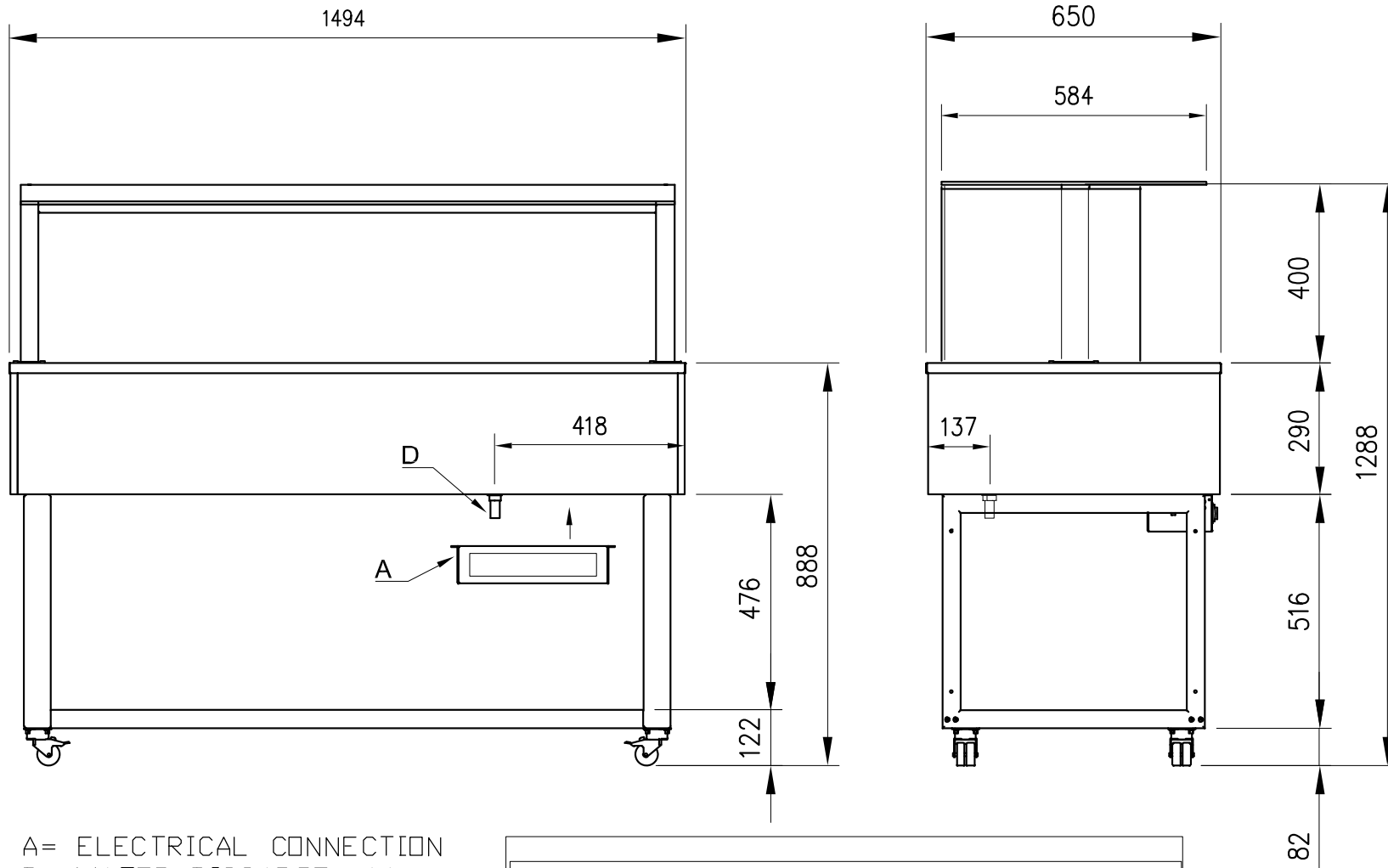


Masszeichnung Bain-Marie TR-RED 4/1 SERVICE

[Art. 434726801]



A= ELECTRICAL CONNECTION
D= WATER DISCHARGE ø14

