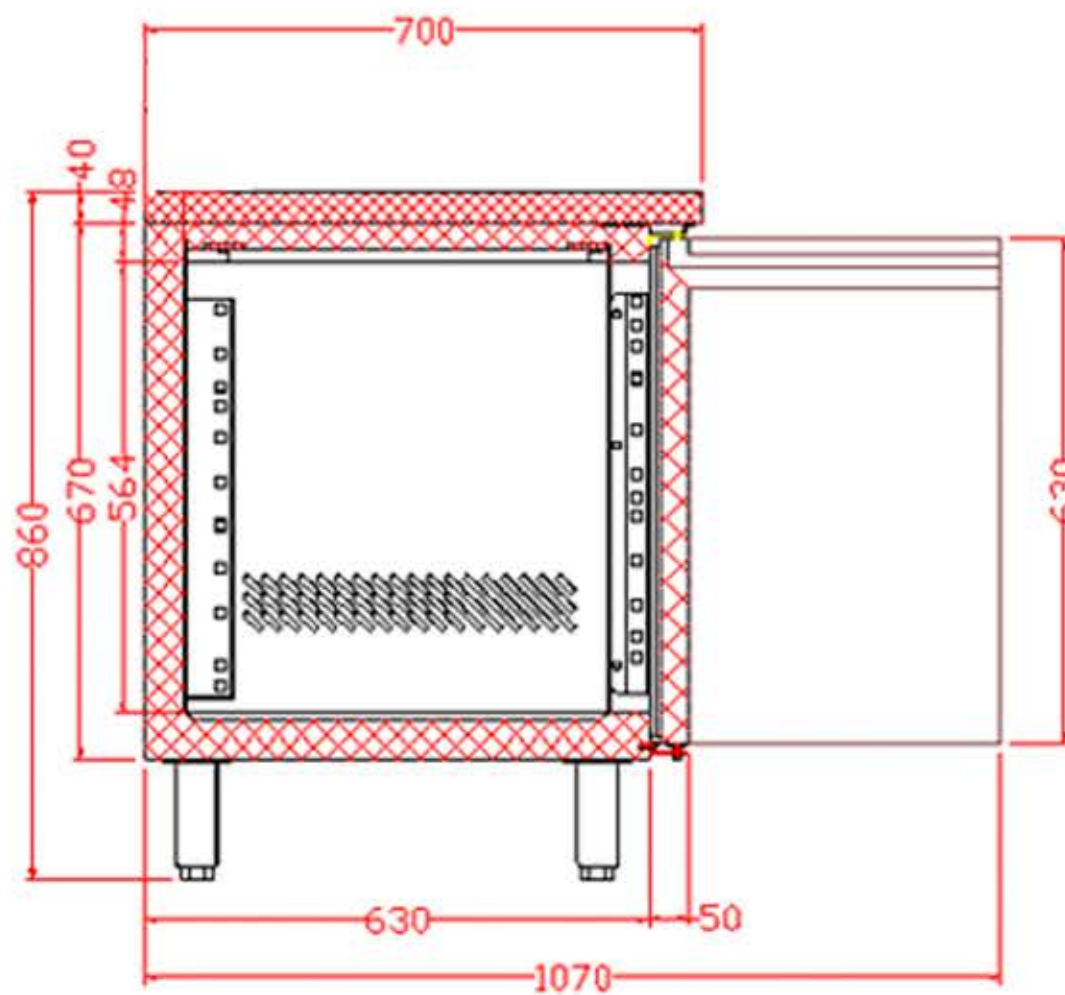
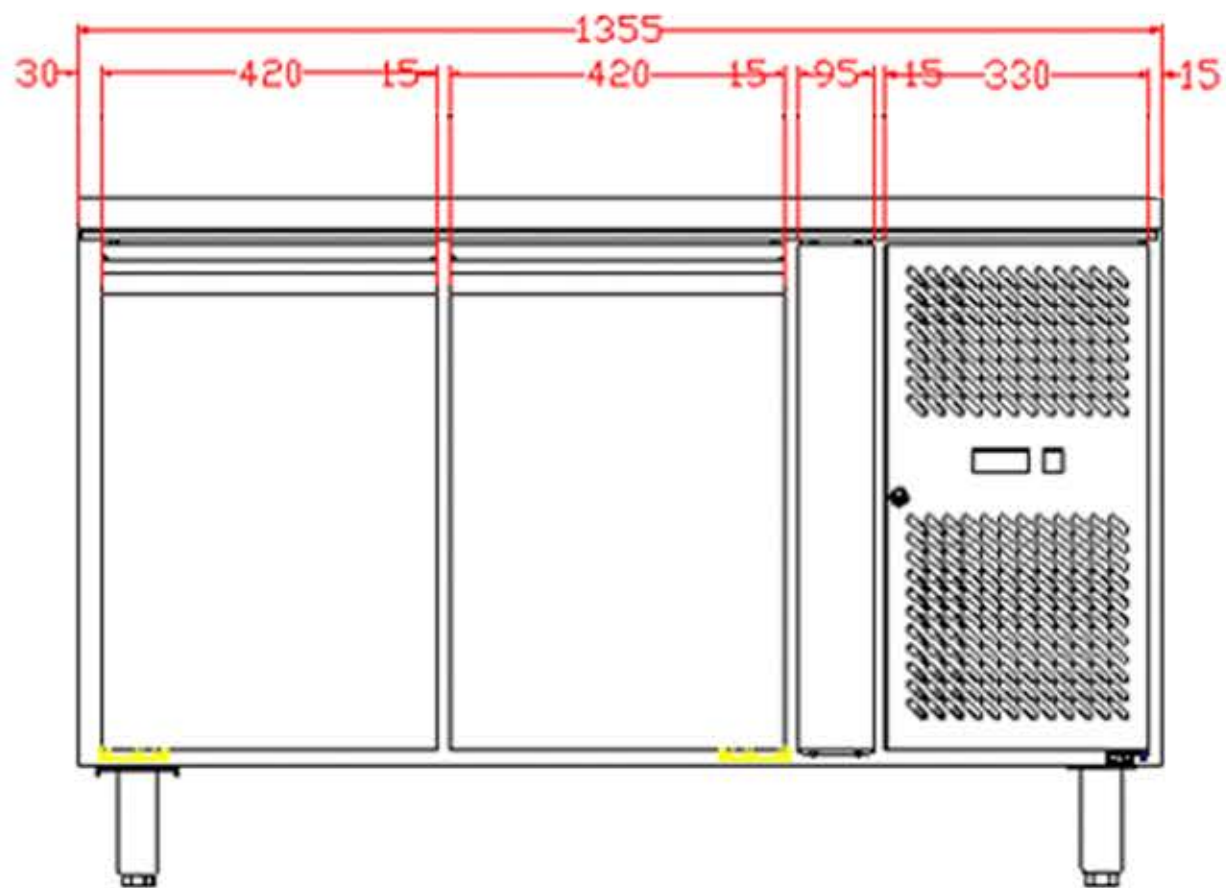


NordCap®



	Date: 140413
Model: CK7210-SP	Rev.: 01
Dimensions	Rev. by: rfj
Drawing no.:	