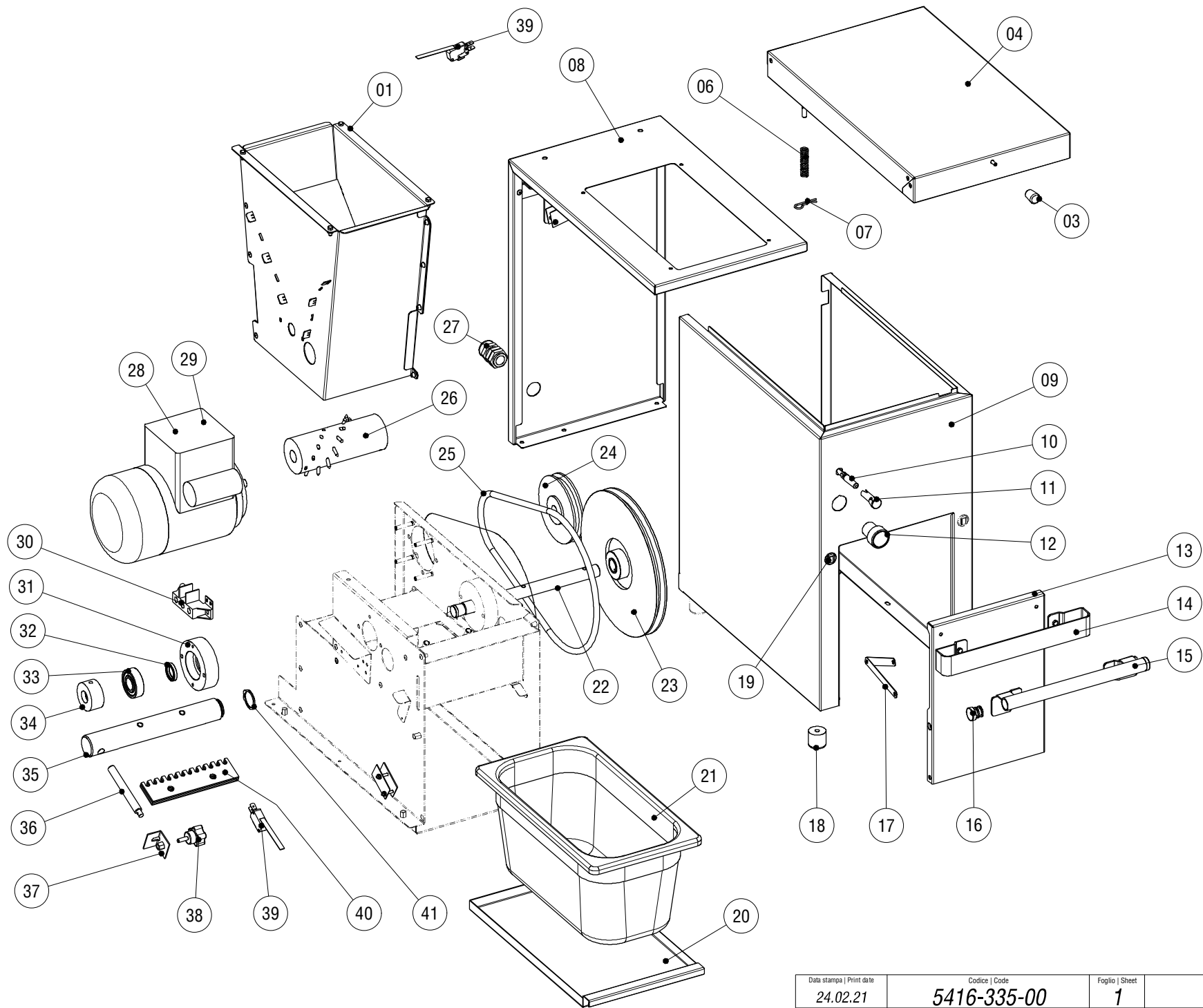


# Ersatzteilliste-Explosionszeichnung

## Eiscrusher EC 3.5





Data stampa   Print date	Codice   Code	Foglio   Sheet	Modeli   Models
24.02.21	5416-335-00	1	IR/0 - IR/2

## Spare parts list

030020 PROFESSIONAL ELECTRIC ICE-CRUSHER - OUTPUT 6 KG/MIN

Position	Code	Description
	RC00001502	BRONZE BUSHING SE
	RC00191000	EXTERNAL COVER IR
	RC00192000	BACK PANEL IR
	RC00193000	COVER IR
	RC00199000	STAKE
	RC00200000	SWITCH
	RC00203000	BUTTON CONTACT BLOCK
	RC03067000	ELECTRIC CABLES IR MY20
01	RC03063000	ICE CRUSCHER HOPPER
03	RC00198000	HANDLE
04	RC03064000	ICE CRUSCHER COVER MY20
06	RC00004302	SPRING
07	RC00005806	RASPES SPRUNG COTTER PIN
08	RC03065000	ICE CRUSCHER BACK PANEL MY20
09	RC03066000	ICE CRUSCHER EXTERNAL COVER MY20
10	RC01782000	GREEN NEON LAMP 230V
11	RC01783000	TRANSPARENT LAMP HOLDER D10
13	RC00190000	FRONT DOOR
14	RC00202000	HANDLE FOR DOOR
15	RC01285000	HANDLE IR
16	RC01286000	PAIR PLUG FOR HANDLE
17	RC01244000	BREAKAWAY SYSTEMS FOR DOOR IR
18	RC00000401	STOPPER
19	RC00004802	MAGNET
20	RC00002502	DRIP TRAY
21	RC00002402	BASIN
22	RC00002202	PIN
23	RC00002102	DRIVEN PULLEY
24	RC00001802	DRIVING PULLEY
25	RC00001902	BELT
26	RC00001602	HUB
27	RC00195000	CABLE GLAND
29	RC00196000	MOTOR IR
30	RC00296000	CONNECTING BLOCK
31	RC00003202	BEARING SUPPORT
32	RC00000802	SEALING RING FOR IR
33	RC00000402	BEARING
34	RC00000302	CLAMPING RING IR
35	RC00000102	SHAFT
36	RC00002802	LEVER FOR IR
37	RC00002602	REFERENCE FOR IR
38	RC00002302	HANDWELL
39	RC00204000	MICROSWITCH
40	RC00002902	CUTTER
41	RC00003102	SECURITY RING FOR IR

**Finanzen/Service**  
**28307 Bremen**  
Thalenhorststraße 15  
Tel.+49 421 48557-0  
Fax+49 421 488650  
bremen@nordcap.de

**Vertrieb Ost**  
**12681 Berlin**  
Wolfener Straße 32/34, Haus K  
Tel.+49 30 936684-0  
Fax+49 30 936684-44  
berlin@nordcap.de

**Vertrieb West**  
**40699 Erkrath**  
Max-Planck-Straße 30  
Tel.+49 211 540054-0  
Fax+49 211 540054-54  
erkrath@nordcap.de

**Vertrieb Nord**  
**21079 Hamburg**  
Großmoorbogen 5  
Tel.+49 40 766183-0  
Fax+49 40 770799  
hamburg@nordcap.de

**Vertrieb Süd**  
**55218 Ingelheim**  
Hermann-Bopp-Straße 4  
Tel.+49 6132 7101-0  
Fax+49 6132 7101-20  
ingelheim@nordcap.de



[www.nordcap.de](http://www.nordcap.de)