

Ersatzteilliste-Explosionszeichnung

Schnellkühler / Schockfroster SF 25/15-CW CRIO CHILL



SPARE PARTS CATALOGUE

CROSSWISE 25KG 6GN 1/1

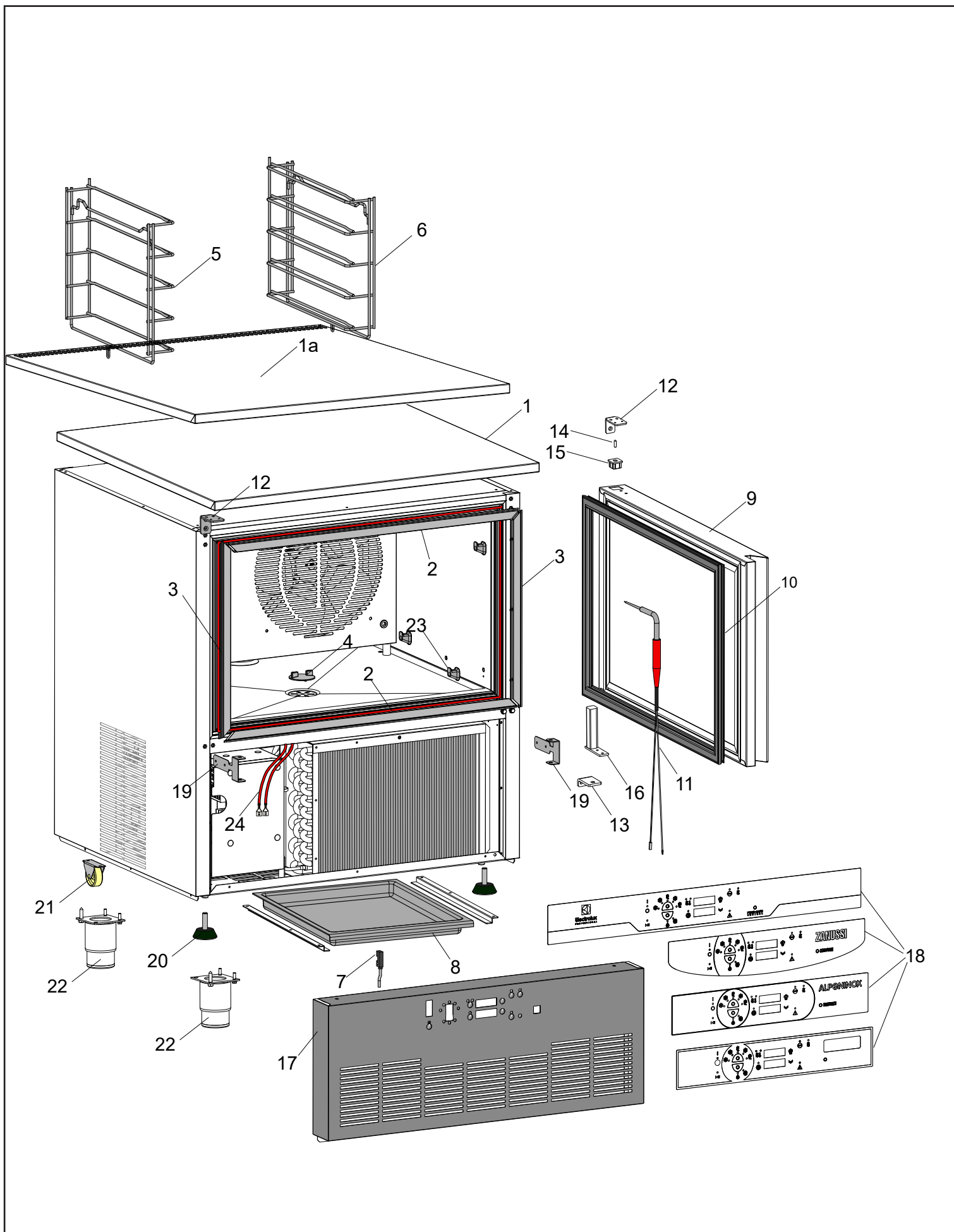
CHILLER FREEZER

PNC	MODEL	REF.	PAG.	DESCRIPTION	NOTE/BRAND
110919	ZCBCFA025SE	a	3-7	BLAST CHILLER/FREEZER 20/15KG 6 GN 1/1 - R452A	ZAN
110920	ZCBCFA025SB	b	3-7	BLAST CHILLER/FREEZER 20/15KG 6 GN 1/1 - R452A - 60HZ	ZAN
110984	ZCBCFA025UB	c	3-7	BLAST CHILLER/FREEZER 25KG 5 GN 1/1 - R452A - 60HZ - UNDER-COUNTER	ZAN
110985	ZCBCFA025UE	d	3-7	BLAST CHILLER/FREEZER 25KG 5 GN 1/1 - R452A - UNDERCOUNTER	ZAN
725212	ECBCFA025SE	e	3-7	BLAST CHILLER/FREEZER 20/15KG 6 GN 1/1 - R452A	EPR
725213	ECBCFA025SB	f	3-7	BLAST CHILLER/FREEZER 20/15KG 6 GN 1/1 - R452A - 60HZ	EPR
725399	GCBCF25SA	g	3-7	BLAST CHILLER/FREEZER 20/15KG 6 GN 1/1 - R452A - 60HZ	To brand
725444	ECBCFA025UB	h	3-7	BLAST CHILLER/FREEZER 25KG 5 GN 1/1 - R452A - UNDERCOUNTER - 60HZ	EPR
725445	ECBCFA025UE	i	3-7	BLAST CHILLER/FREEZER 25KG 5 GN 1/1 - R452A - UNDERCOUNTER	EPR
725446	ECBCFB025UE	j	3-7	BLAST CHILLER/FREEZER 25KG 5 GN 1/1 - R448A	EPR
729533	MCBCFA025SE	k	3-7	BLAST CHILLER/FREEZER 20/15KG 6 GN 1/1 - R452A	To brand
729541	ACBCFA025SE	l	3-7	BLAST CHILLER/FREEZER 20/15KG 6 GN 1/1 - R452A	Alpeninox
729686	ACBCFA025UE	m	3-7	BLAST CHILLER/FREEZER 25KG 5 GN 1/1 - R452A - UNDERCOUNTER	Alpeninox
729687	MCBCFA025UE	n	3-7	BLAST CHILLER/FREEZER 25KG 5 GN 1/1 - R452A - UNDERCOUNTER	To brand

INDEX - INDICE

PAG.

CABINET AND DOOR	3
SPARE PART LISTS - CABINET AND DOOR	4
COOLING UNIT AND CONTROL PANEL	5
SPARE PART LISTS - COOLING UNIT AND CONTROL PANEL	6-7



CABINET AND DOOR

From Ser. Nr.
Up to Ser. Nr.

Ed. 01 2023-03
Ed. 01 2024-02

Page: 3

@

Doc No:595R07H00

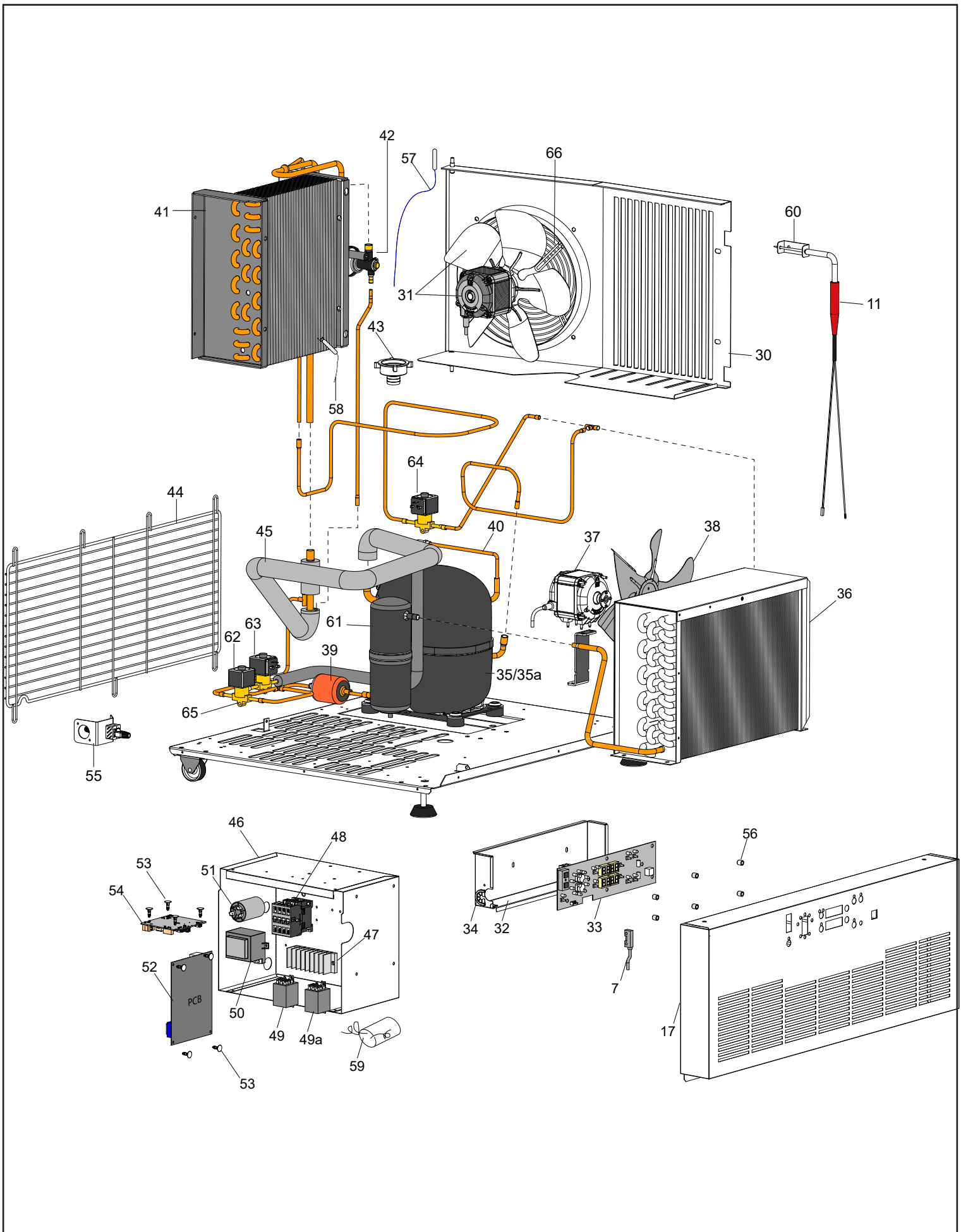
POS	FACTORY CODE	S.P. CODE	DESCRIPTION	V	W&T	REF.	NOTES	S/N BREAK (YYYY/WK)
1	0835R80702	097691	Top for undercounter appliance		x	c; d; h; i; m; n		
1a	0835R80601	097696	Top for freestanding appliance		x	a; b; e; f; g; j; k; l		
2	0543749003	092879	Horizontal frame	x				
3	0543749102	092880	Vertical Frame	x				
4	0546R27300	093934	Plug for pipe		x			
5	0514R31601	097680	Left shelf rack	x				
6	0514R31701	097681	Right shelf rack	x				
7	0640R00D00	097671	Door microswitch	x				
8	0542702500	087528	Water condenser basin		x			
9	0875R06K01	097698	Door assembly	x				
10	0543749902	083377	Door gasket	x				
11	0646R06Z00	097682	One sensor food probe	x				
12	0506753502	085754	Upper hinge door	x				
13	0506753604	085755	Lower hinge door	x				
14	0514706702	082757	Door hinge pin	x				
15	0544709200	083875	Door hinge bush	x				
16	0835714501	083876	Door hinge lowered pin	x				
17	0800R00C02	097686	Control panel without components		x	e; f; h; i; j	EPR	Up to 2024/03
17	0800R00C03	09A1ND	Control panel without components		x	e; f; h; i; j	EPR	From 2024/04
17	0800R00B01	097685	Control panel without components		x	a; b; c; d; g; k; l; m; n	ZAN, APX, TO BRAND	Up to 2024/03
17	0800R00B02	09A1NC	Control panel without components		x	a; b; c; d; g; k; l; m; n	ZAN, APX, TO BRAND	From 2024/04
18	0755R16800	097668	EPR control sticker	x		e; f; h; i; j	EPR	
18	0755R16900	097667	ZAN control sticker	x		a; b; c; d	ZAN	
18	0755R17001	097683	APX control sticker	x		l; m	APX	
18	0755R17100	097666	To brand control sticker	x		g; k; n	To brand	
*	0755R17200	097684	Logo for Engefood sticker	x		g	Engefood	
19	0512773002	097672	Control panel support		x			
20	0518R10000	096652	Feet H35 mm M10	x		c; d; h; i; m; n		
21	0518R06900	095090	Wheel h50	x		c; d; h; i; m; n		
22	0856767802	097695	Foot H100	x		a; b; e; f; g; j; k; l		
23	0546703802	083878	Hook racks support	x				
24	0617723501	088577	Heating frame cable 10W/m		x			

SPARE PARTS CODE - CABINET AND DOOR

* On demand

Bold=last change

From Ser. Nr. Up to Ser. Nr.	Ed. 01 2023-03 Ed. 01 2024-02	Page: 4	Doc No:595R07H00
---------------------------------	----------------------------------	---------	-------------------------



COOLING UNIT AND CONTROL PANEL

From Ser. Nr.
Up to Ser. Nr.

Ed. 01 2023-03
Ed. 01 2024-02

Page: 5 @

Doc No:595R07H00

POS	FACTORY CODE	S.P. CODE	DESCRIPTION	V	W&T	REF.	NOTES	S/N BREAK (YYYY/WK)
30	0504R01T00	097676	Evaporator carter		x			
31	0857796300	088603	Fan evaporator assembly	x				
32	0504R37400	097670	User board protection		x			
33	0648R02M00	097726	User board	x				
34	0639R23600	097673	Grommet	x				
35	0684R12000	095064	Compressor L'U.H. / TECUMSEH 220-240/50	x		a; d; e; i; j; k; l; m; n	50 Hz	
35	0684R11200	094475	Compressor EMBRACO CSR 200-240 50 / 220-230 60	x		b; c; f; g; h	60 Hz	
35a		096645	Start capacitor	x		a; d; e; i; j; k; l; m; n	50 Hz	
35a		095125	Relay	x		a; d; e; i; j; k; l; m; n	50 Hz	
35a		096643	T-connect box CSR CAJ2464Z/X-FZ	x		a; d; e; i; j; k; l; m; n	50 Hz	
35a		096644	Electrical CSR KIT CAJ2464Z F	x		a; d; e; i; j; k; l; m; n	50 Hz	
35a		096646	External overload MST16AFZ-3291	x		a; d; e; i; j; k; l; m; n	50 Hz	
35a		096647	Electrical box junior with SP connecting block	x		a; d; e; i; j; k; l; m; n	50 Hz	
36	0830R03K00	097664	Gas condenser 11T4R375A	x				
37	0682R07101	093858	Motor fan condenser ELCO 230-240V/50-60 HZ	x				
38	0511R01900	094955	Fan condenser 254/31	x				
39	0646725601	088201	Filter DML052 S	x				
40	0515R03801	091217	Schraden filling valve H42	x		a; d; e; i; j; k; l; m; n	50 Hz	
40	0845716300	087380	Schraden filling valve H42	x		b; c; f; g; h	60 Hz	
41	0845718705	088596	Evaporator	x				
42	0646754501	089929	Thermostatic valve/Expansion valve	x				
43	0546R25400	094255	Discharge pipe		x			
44	0541716604	087957	Back grid		x			
45	0805R01R01	097690	Pipe exchanger	x				
46	0504R01P00	097675	Electric box	x				
47	0855R09M01	097665	Clamp with wiring	x				
48	0648729600	090064	Contacteur 220-230 50 hz 240 60hz	x				
49	0648802700	056510	Relay Finder 24 V	x				
49a	0648703800	083215	Relay Finder 60.62.8.230	x				
50	0624711702	087662	Voltage adaptor 230/24 V	x				
51	0694700800	084987	Filter LC		x			
52	0648R04902	093125	Main board	x				
53	0546401600	095984	Main board spacer	x				
54	*	*	Lion board connectivity		x			
55	*	*	Connectivity bracket LAN cable		x			
56	0546R08D00	097674	Round spacer Ø 6,2 ; EX 9,0	x				
57	0646R07200	092177	Blu cell probe	x				
58	0646R12000	093531	Gray evaporator probe	x				

SPARE PARTS CODE - COOLING UNIT AND CONTROL PANEL

* On demand

Bold=last change

From Ser. Nr. Up to Ser. Nr.	Ed. 01 2023-03 Ed. 01 2024-02	Page: 6	Doc No:595R07H00
---------------------------------	----------------------------------	---------	-------------------------

POS	FACTORY CODE	S.P. CODE	DESCRIPTION	V	W&T	REF.	NOTES	S/N BREAK (YYYY/WK)
59	0648729400	099129	Capacitor 4 UF UL-CSA	x				
60	0506748800	089860	Food probe support		x			
61	0805749401	087758	Liquid receiver	x				
62	0646R14000	095063	By-pass solenoid valve Vb	x				
63	0646R14000	095063	Solenoid valve V1	x				
64	0646R14000	095063	Defrost solenoid valve V2	x				
65	0646746400	088030	SPORLAN valve	x				
66	0514744502	088100	Motor fan grid		x			

* On demand

Bold=last change

From Ser. Nr.
Up to Ser. Nr.

Ed. 01 2023-03
Ed. 01 2024-02

Page: 7

Doc No:595R07H00

Electrolux Professional SpA
Viale Treviso, 15
33170 Pordenone, ITALY
Fax (+39) 0434 380 201
<https://www.electroluxprofessional.com>
<https://webgate.electroluxprofessional.com>

Finanzen / Service
28307 Bremen
Thalendorststraße 15
Tel.+49 421 48557-0
Fax+49 421 488650
bremen@nordcap.de

Vertrieb Ost
12681 Berlin
Wolfener Straße 32/34, Haus K
Tel.+49 30 936684-0
Fax+49 30 936684-44
berlin@nordcap.de

Vertrieb West
40699 Erkrath
Max-Planck-Straße 30
Tel.+49 211 540054-0
Fax+49 211 540054-54
erkraht@nordcap.de

Vertrieb Nord
21079 Hamburg
Großmoorbogen 5
Tel.+49 40 766183-0
Fax+49 40 770799
hamburg@nordcap.de

Vertrieb Süd
55218 Ingelheim
Hermann-Bopp-Straße 4
Tel.+49 6132 7101-0
Fax+49 6132 7101-20
ingelheim@nordcap.de



www.nordcap.de