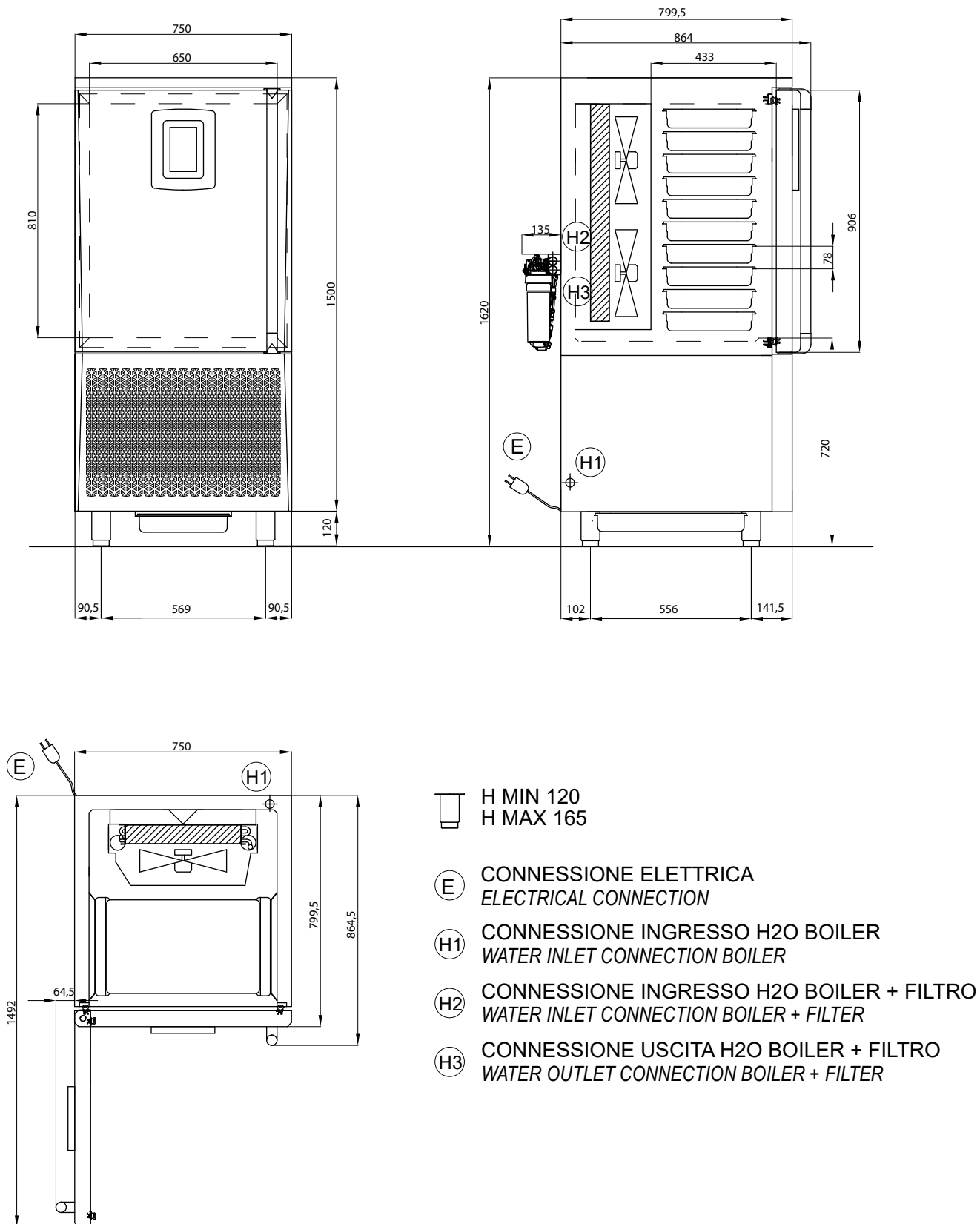
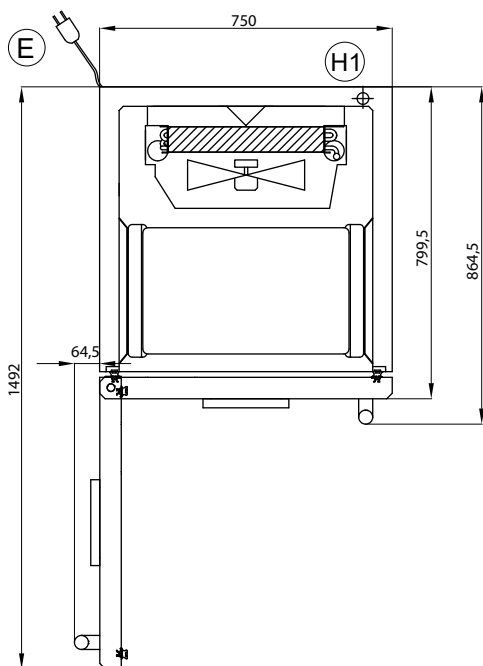
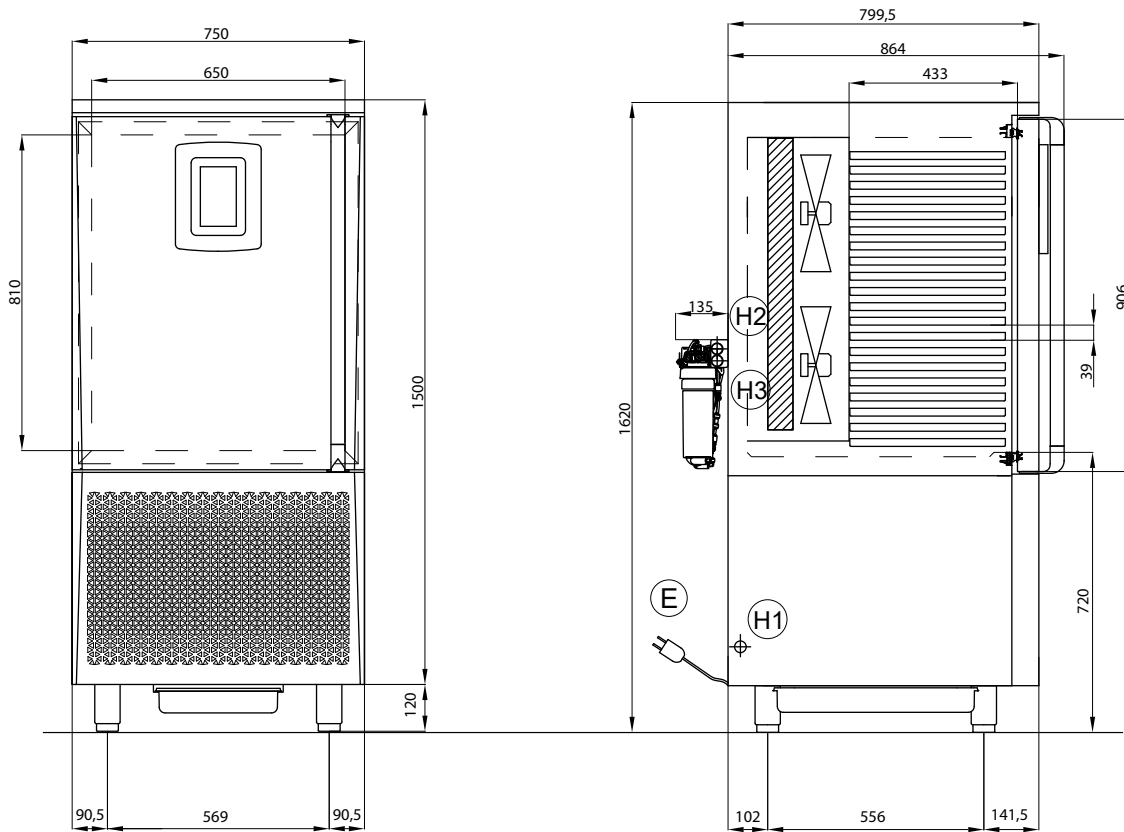



Aufnahme von GN-Behältern



Aufnahme von EN-Blechen



 H MIN 120
H MAX 165

 CONNESSIONE ELETTRICA
ELECTRICAL CONNECTION

 CONNESSIONE INGRESSO H2O BOILER
WATER INLET CONNECTION BOILER

 CONNESSIONE INGRESSO H2O BOILER + FILTRO
WATER INLET CONNECTION BOILER + FILTER

 CONNESSIONE USCITA H2O BOILER + FILTRO
WATER OUTLET CONNECTION BOILER + FILTER