

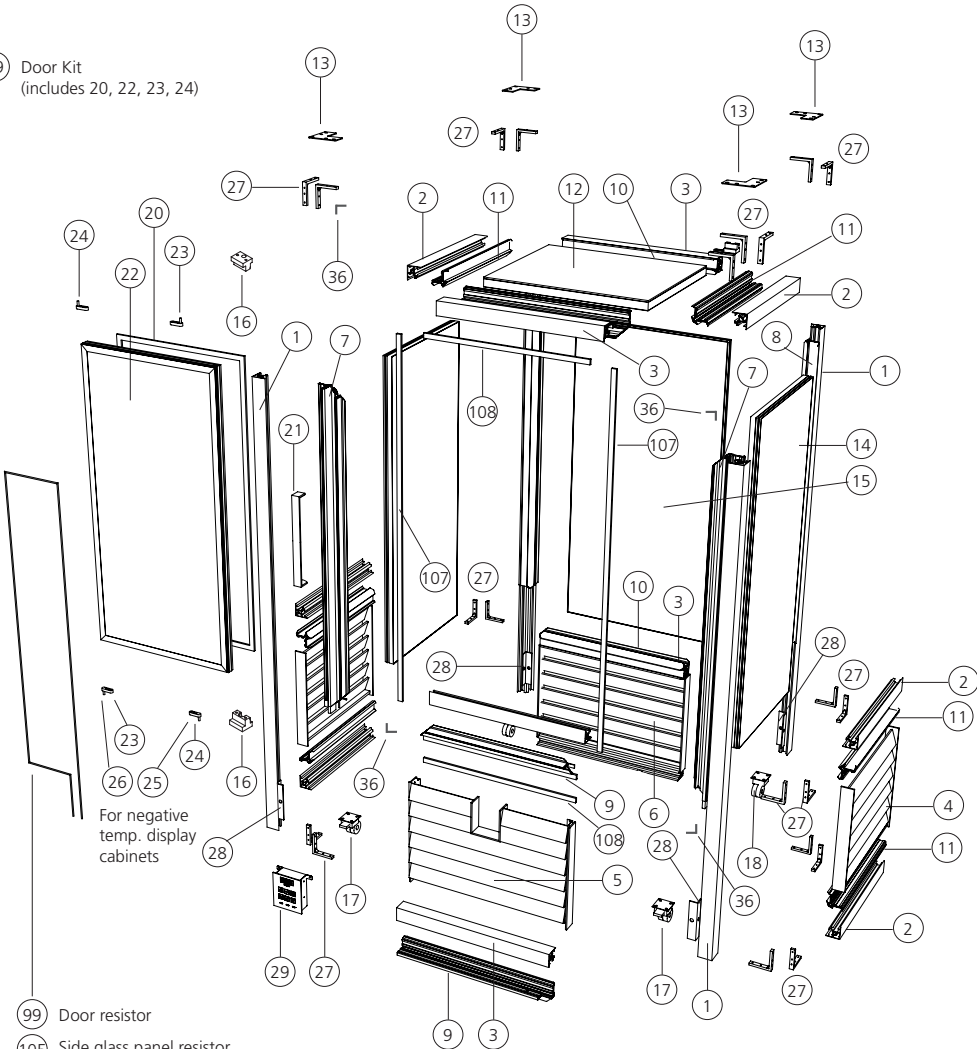
Ersatzteilliste-Explosionszeichnung

Panorama-Kühlvitrine Serie PV / PV R LED



A1 - FINISH TRIMS

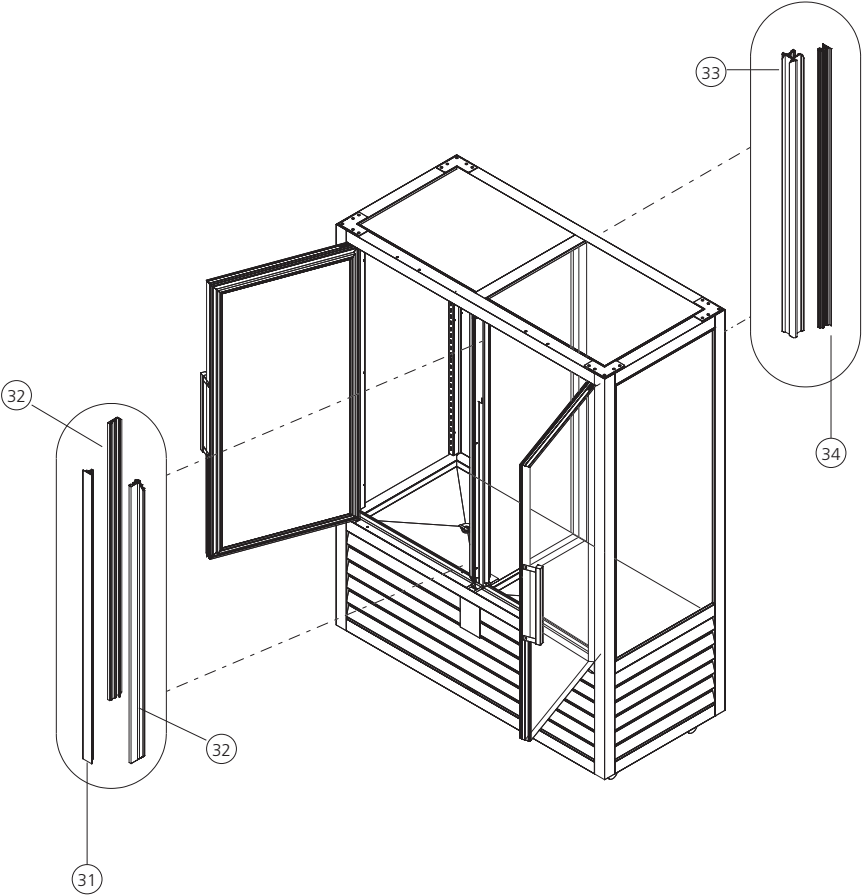
19 Door Kit
(includes 20, 22, 23, 24)



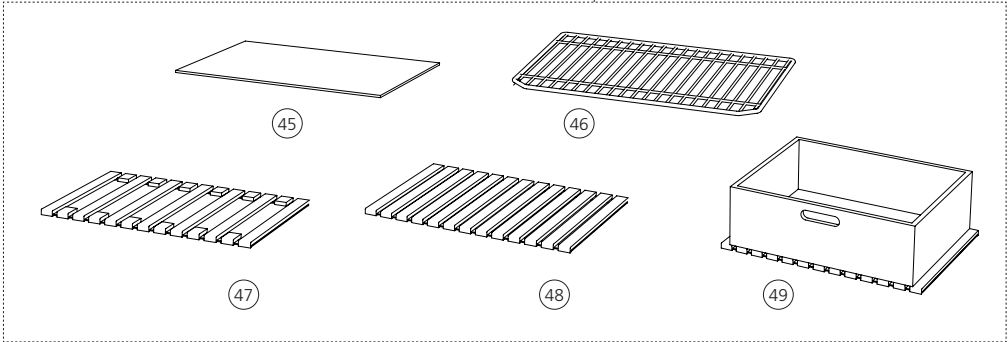
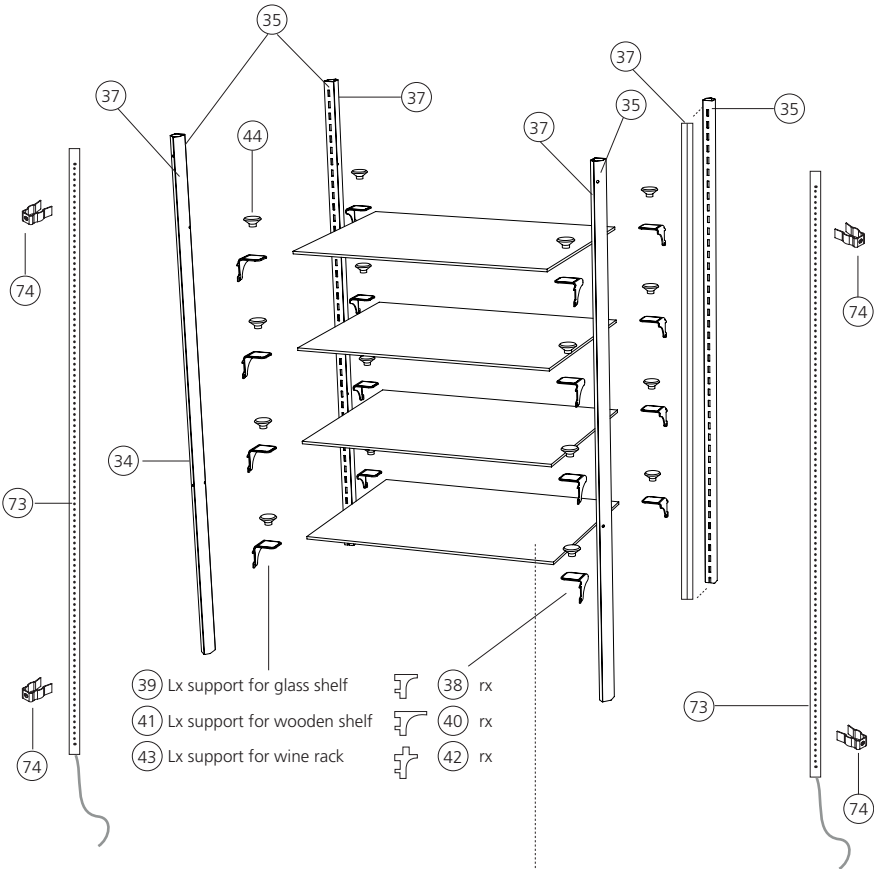
For negative temp. display cabinets

- 99 Door resistor
- 105 Side glass panel resistor
- 106 Rear glass panel resistor
- 104 Cabinet frame resistor

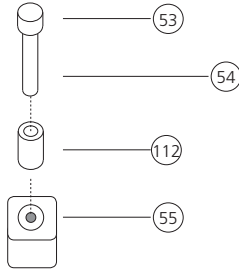
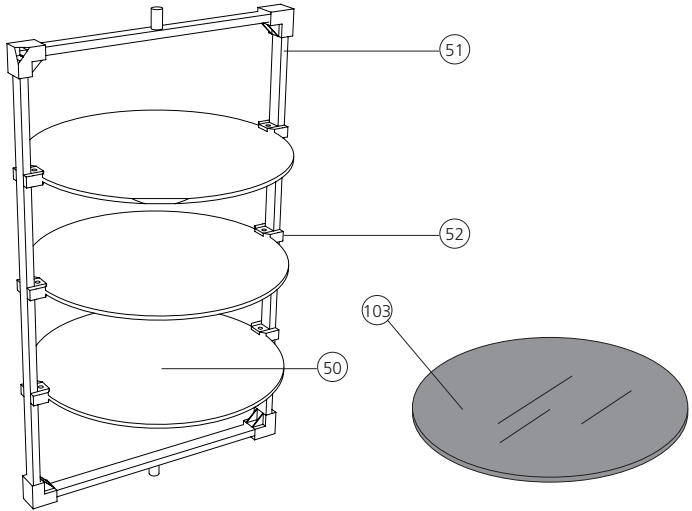
A2 - UPRIGHTS FOR MULTIPLE DISPLAY CABINETS



B1 - INTERIOR EQUIPMENT



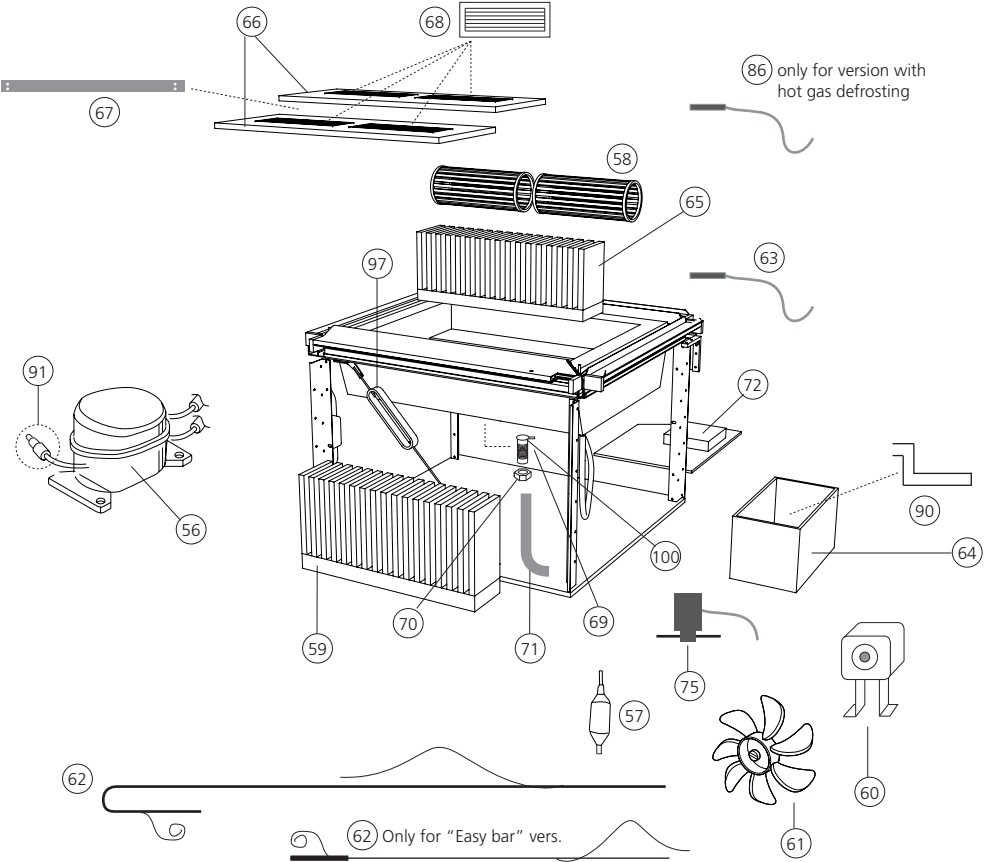
B2 - REVOLVING TOWER STAND (OPTIONAL)



C1 - VENTILATED POSITIVE TEMP. (TN)

TN - DISPLAY CABINETS WITH NORMAL TEMPERATURE

- 1. PÂTISSERIE +4 +10
- 2. CHOCOLATE +14 +18
- 3. WINE +6 (+9) +18
- 4. DRINKS +6 +10
- 5. CHARCUTERIE +4 +8
- 6. CHEESE +4 +8

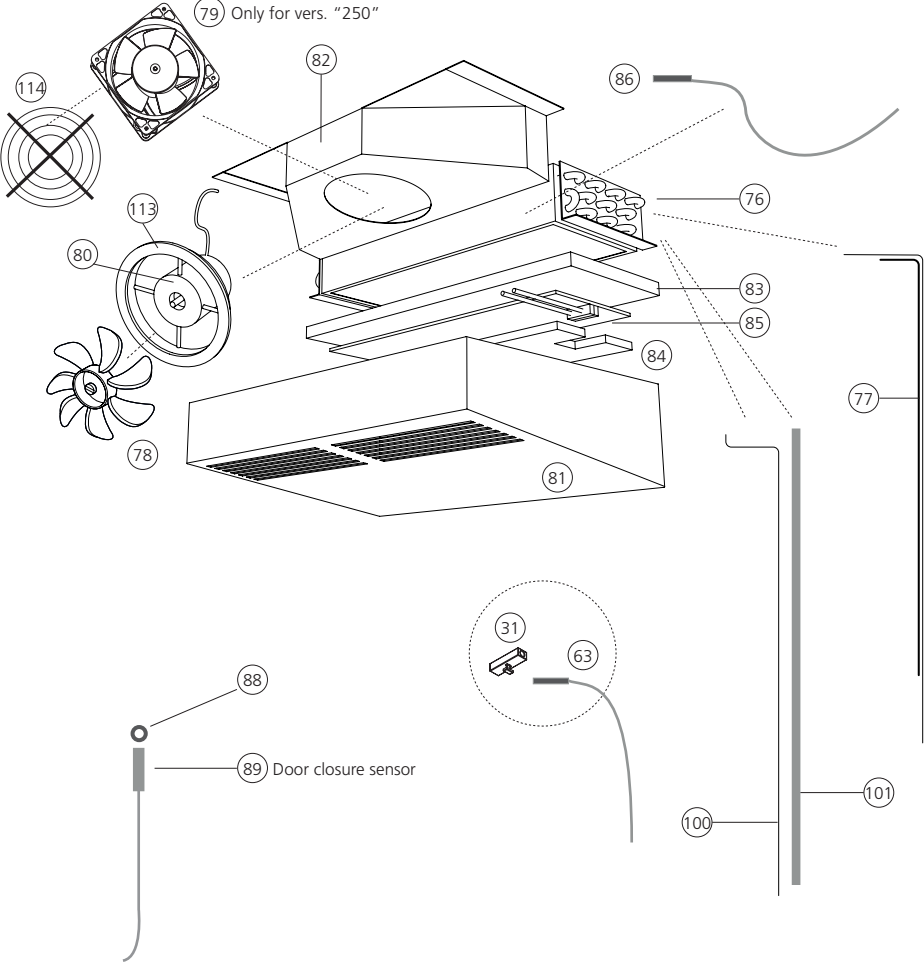


C2 - VENTILATED NEGATIVE TEMP. (2T)

2T - DISPLAY CABINETS WITH THE POSSIBILITY OF POSITIVE AND NEGATIVE TEMPERATURES IN THE SAME CABINET

- 1. PATISSERIE +5
- 2. ICE CREAM -20

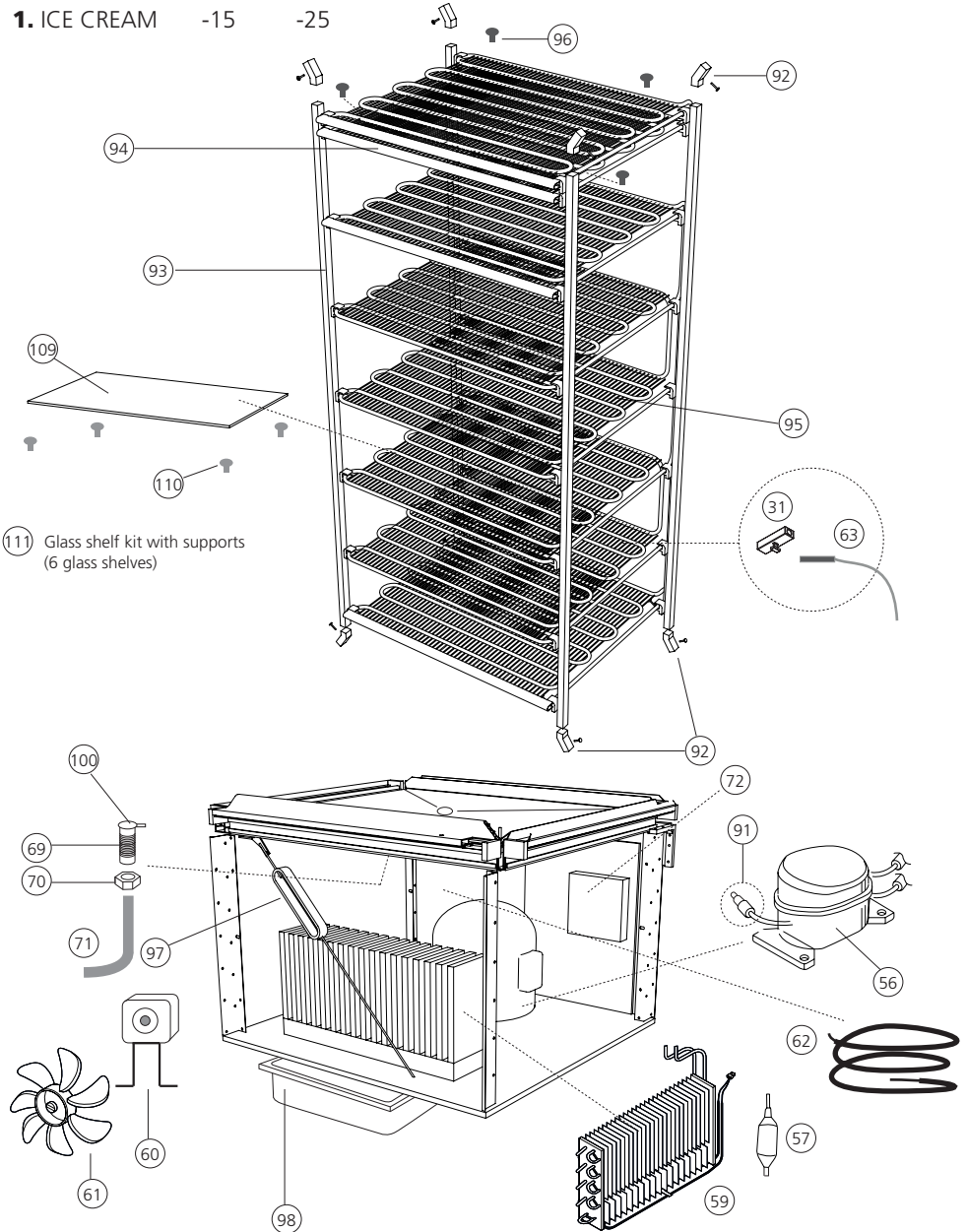
(87) Evaporator kit
 (includes 82, 76, 83, 85, 84, 77, 100, 101, 86, 80,
 78, 113)



C3 - STATIC NEGATIVE TEMP. (LT)

LT - low temperature display cabinets

1. ICE CREAM -15 -25



LIST OF GENERAL PARTS/COMPONENTS

LOC No.	DESCRIPTION OF COMPONENT
1	ALUMINIUM COLUMN
2	ALUMINIUM CROSSBAR
3	FRONT/REAR CROSSBAR IN ALUMINIUM
4	SIDE GRILLE
5	FRONT GRILLE
6	REAR GRILLE
7	FRONT PLASTIC COLUMN
8	REAR PLASTIC COLUMN
9	FRONT PLASTIC CROSSBAR
10	REAR PLASTIC CROSSBAR
11	SIDE PLASTIC CROSSBAR
12	COMPLETE DISPLAY CABINET TOP
13	STAINLESS STEEL ANGLE PLATES FOR ROOF FIXTURE
14	CABINET SIDE GLASS
15	CABINET TOP GLASS
16	NYLON HINGE SUPPORT INSERT
17	FRONT WHEEL WITH BRAKE
18	REAR WHEELS WITHOUT BRAKE
19	DOOR KIT (INCLUDES N°. 20/22/23/24)
20	DOOR SEAL
21	DOOR HANDLE
22	CABINET DOOR GLASS
23	RX UPPER DOOR HINGE (bottom lx only for positive temp. display cabinets)
24	LX UPPER DOOR HINGE (bottom rx only for positive temp. display cabinets)
25	RX BOTTOM DOOR HINGE (for negative temp. display cabinets)
26	LX BOTTOM DOOR HINGE (for negative temp. display cabinets)
27	ANGLE BRACKET and CROSSBAR
28	GRILL STOP
29	CONTROL PANEL
30	TEMPERATURE PROBE SUPPORT
31	ALUMINIUM FRONT COLUMN FOR DOUBLE/TRIPLE DISPLAY CABINETS
32	PLASTIC FRONT COLUMN FOR DOUBLE/TRIPLE DISPLAY CABINETS
33	PLASTIC REAR COLUMN FOR DOUBLE/TRIPLE DISPLAY CABINETS
34	ALUMINIUM REAR COLUMN FOR DOUBLE/TRIPLE DISPLAY CABINETS
35	QUADRO/QUADRO NEO RACK
36	PVC DOOR STOP BRACKET
37	STAINLESS STEEL REAR RACK COVER
38	RX SHELF SUPPORT FOR GLASS SHELF
39	LX SHELF SUPPORT FOR GLASS SHELF

LOC No.**DESCRIPTION OF COMPONENT**

40	RX SHELF SUPPORT FOR WOODEN SHELF
41	LX SHELF SUPPORT FOR WOODEN SHELF
42	RX SHELF SUPPORT FOR WINE RACK
43	LX SHELF SUPPORT FOR WINE RACK
44	SUCKER FOR GLASS SHELVES
45	GLASS SHELF
46	GRILLE SHELF
47	WOODEN BOTTLE SHELF - WBS
48	WOODEN CLASSIC SHELF - WCS
49	WOODEN DRAWER WITH RUNNERS AND SHELF
50	ROUND GLASS SHELF
51	REVOLVING FRAME KIT
52	ROUND GLASS SUPPORT
53	REVOLVING CENTRAL ALIGNMENT PIN
54	DRIVESHAFT FOR REVOLVING FRAME
55	GEAR MOTOR FOR REVOLVING FRAME
56	COMPRESSOR
57	MOLECULAR SIEVE
58	TANGENTIAL FAN
59	CONDENSER
60	10 WATT FAN MOTOR
61	ALUMINIUM FAN DIAMETER 230
62	SUCTION LINE
63	NTC PROBE 1.5 M IN PVC
64	WATER COLLECTION BASIN
65	EVAPORATOR
66	ABS BOTTOM PLATE (2 PARTS)
67	ALUMINIUM STRIP
68	VENTILATION GRILLE
69	DRAIN WITHOUT RING NUT
70	1/2" WHITE RING NUT FOR DRAIN
71	RUBBER HOSE
72	LED POWER SUPPLY
73	LED BAR
74	METAL LED FIXING HOOK
75	SOLENOID VALVE
76	CEILING EVAPORATOR
77	EVAPORATOR-VALVE CONNECTOR HOSE (VENTILATED NEGATIVE TEMP.)
78	ALUMINIUM FAN DIAMETER 154

LIST OF DISPLAY CABINET PARTS

LOC No.	DESCRIPTION OF COMPONENT
79	5 WATT FAN MOTOR
80	GEAR MOTOR FOR EVAPORATOR (ventilated negative temp.)
81	EVAPORATOR OUTER CASING (ventilated negative temp.)
82	EVAPORATOR SUPPORT FRAME (ventilated negative temp.)
83	EVAPORATOR WATER COLLECTION BASIN
84	BASIN POLYURETHANE PANEL MM.210X510X15
85	SILICONE RUBBER HEATER 150W
86	NTC PROBE 2.5 M IN SILICONE (for ventilated negative temp. + hot gas positive temp.)
87	EVAPORATOR ASSEMBLY KIT FOR VENTILATED NEGATIVE TEMP. DISPLAY CABINET (INCLUDES N°. 76/77/78/80/82/83/84/85/86/101/102/113)
88	NEODYMIUM MAGNET
89	DOOR CLOSURE MAGNETIC SENSOR
90	CONDENSER CONNECTOR HOSE WITH T
91	1/4 CHARGE VALVE WITH 10 CM HOSE
92	GREY ABS FOOT X SHELF SUPPORT SHAFT
93	STAINLESS STEEL STANDARD SHELF SUPPORT SHAFT
94	STAINLESS STEEL FRONT COVER X EVAPORATING SHELVES
95	EVAPORATING TOWER STAND
96	BLACK NEOPRENE SHELF SPACERS
97	STAINLESS STEEL SUPPORT STRUT
98	EXTERNAL WATER COLLECTION BASIN
99	DOOR RESISTOR
100	1/2" DRAIN OUTLET PLUG
101	RUBBER DRAIN HOSE FOR EVAPORATOR WATER (VENTILATED NEGATIVE TEMP.)
102	SUCTION LINE (VENTILATED NEGATIVE TEMP.)
103	ROUND MIRRORRED GLASS SHELF
104	CABINET FRAME RESISTOR
105	SIDE GLASS PANEL RESISTOR
106	REAR GLASS PANEL RESISTOR
107	PVC RESISTOR COVER PROFILE FOR FRONT COLUMN
108	PVC RESISTOR COVER PROFILE FOR FRONT HORIZONTAL CROSSBAR
109	GLASS SHELF FOR STATIC NEGATIVE TEMP. DISPLAY CABINET
110	GLASS SHELF SUPPORT FOR STATIC NEGATIVE TEMP. DISPLAY CABINET
111	KIT N°. 6 GLASS PANELS (SHELF SUPPORTS INCLUDED) FOR STATIC NEGATIVE TEMP. DISPLAY CABINET
112	
113	GEAR MOTOR DRIVE CYLINDER
114	NOZZLE FOR EVAPORATOR GEAR MOTOR
	METAL GRILLE FAN MOTOR COVER FOR MODEL 250

Finanzen / Service

28307 Bremen
Thalenhorststraße 15
Tel.+49 421 48557-0
Fax+49 421 488650
bremen@nordcap.de

Vertrieb Ost

12681 Berlin
Wolfener Straße 32/34, Haus K
Tel.+49 30 936684-0
Fax+49 30 936684-44
berlin@nordcap.de

Vertrieb West

40699 Erkrath
Max-Planck-Straße 30
Tel.+49 211 540054-0
Fax+49 211 540054-54
erkrath@nordcap.de

Vertrieb Nord

21079 Hamburg
Großmoorbogen 5
Tel.+49 40 766183-0
Fax+49 40 770799
hamburg@nordcap.de

Vertrieb Süd

55218 Ingelheim
Hermann-Bopp-Straße 4
Tel.+49 6132 7101-0
Fax+49 6132 7101-20
ingelheim@nordcap.de



www.nordcap.de