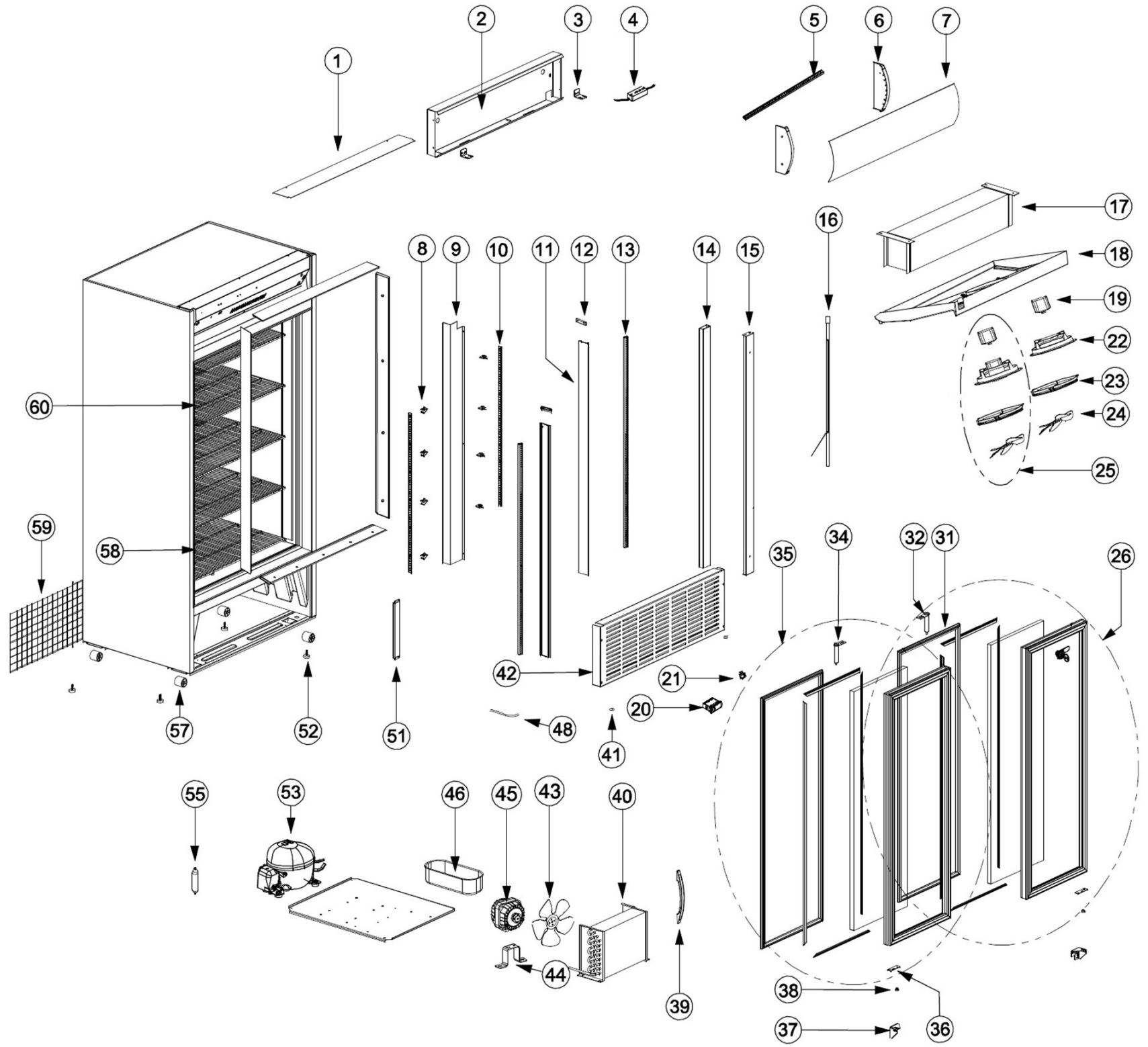


Ersatzteilliste-Explosionszeichnung

Gewerbekühlschrank **KU 1950 G-DR**

[Art. 435700301]





15965 / FSC1950H

Position	ItemNo	Description
01	10342	Top Cover For Canopy
02	10212	Canopy Base
03	12728	Base For Hinge
04	15632	LED Power Supply 12VDC 60W
05	15528	LED 900 mm 7000K
06	10243	Canopy End Cover Left/Right
07	10268	Canopy Light Plate
08	14899	Clip For Shelf
09	10416	Cover For Internal Tubes
10	15001	Rails For Shelves
11	15354	Cover For Vertical.FI.Tube
12	15344	Clip For Light Cover
13	15637	LED Strip 1200 mm
14	10919	Center Post Plastic
15	10396	Center Post Cover
16	14197	Exchanger
17	14319	Evaporator
18	14217	Cover For Evaporator Unit
19	13446	Evaporator Fan Motor 1300 Rpm
20	13970	Thermostat Carel PZPU
21	13737	Light Switch
22	13439	Evaporator Fan Frame
23	13556	Finger Guard
24	13494	Fan Blade Ø200 5 Wings
25	13443	Evaporator Fan Group
26	34422	Glass Door hinged w/lock Right 2021
26B	10715	Lock With Keys
31	12019	Door Gasket
32	12944	Spring Hinge Right
34	12942	Spring Hinge Left
35	34433	Glass Door hinged w/lock Left 2021
36	12808	Door Hinge Bracket
37	12853	Hinge
38	12863	Hinge Bush
39	12693	Handle Black/Black
40	14087	Condenser
41	11243	Cover For Screw
42	10846	Bottom Panel
43	13488	Fan Blade 25 cm (Condenser)
44	13525	Fan Motor Bracket
45	13529	Fan Motor Div. Use/Condenser
46	11478	Drip Tray
48	13896	Probe NTC Dixell/Carel 10 Kohm
51	10910	Bracket For Front Grill
52	14570	Adjustable Screw Foot
53	11774	Compressor NEU6214U R290
55	15700	Filter Drier
57	14618	Roller
58	15216	Wire Shelf Bottom
59	11154	Louvered Plate Rear
60	15234	Wire Shelf Upper

Finanzen/Service
28307 Bremen
Thalendorststraße 15
Tel.+49 421 48557-0
Fax+49 421 488650
bremen@nordcap.de

Vertrieb Ost
12681 Berlin
Wolfener Straße 32/34, Haus K
Tel.+49 30 936684-0
Fax+49 30 936684-44
berlin@nordcap.de

Vertrieb West
40699 Erkrath
Max-Planck-Straße 30
Tel.+49 211 540054-0
Fax+49 211 540054-54
erkrath@nordcap.de

Vertrieb Nord
21079 Hamburg
Großmoorbogen 5
Tel.+49 40 766183-0
Fax+49 40 770799
hamburg@nordcap.de

Vertrieb Süd
55218 Ingelheim
Hermann-Bopp-Straße 4
Tel.+49 6132 7101-0
Fax+49 6132 7101-20
ingelheim@nordcap.de



www.nordcap.de