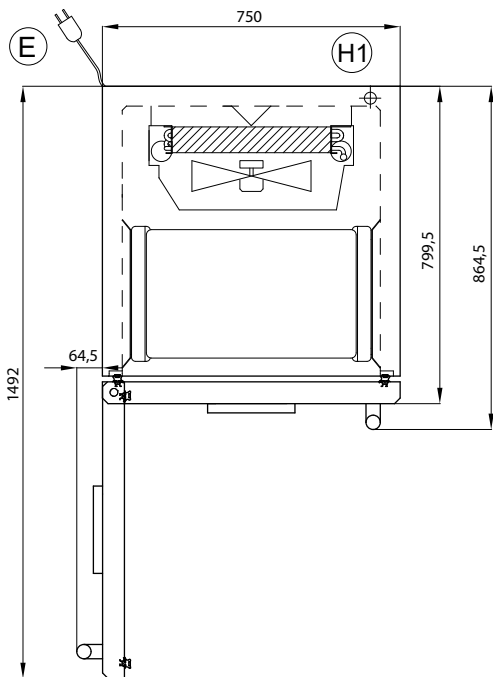
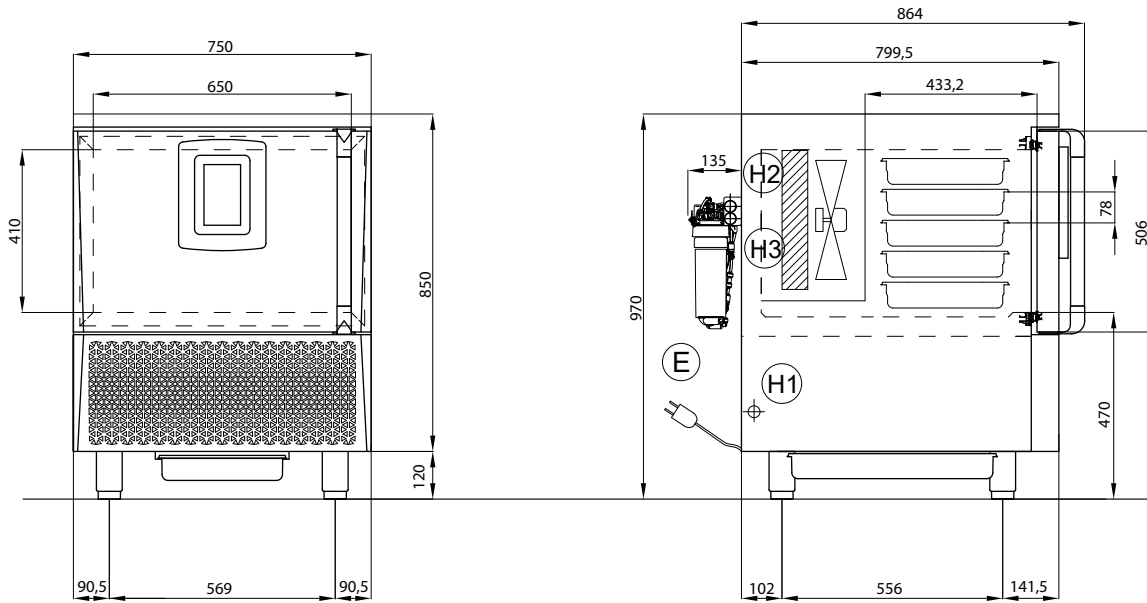


Masszeichnung
Schnellkühler / Schockfroster SKF 5 S PLUS

Aufnahme von GN-Behältern



 H MIN 120
H MAX 165

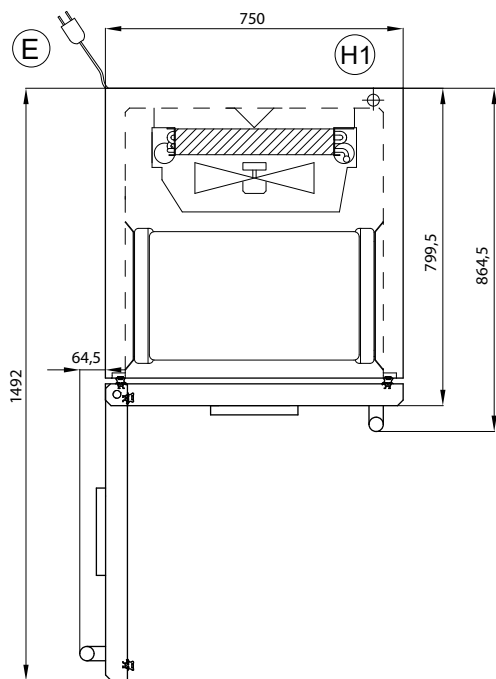
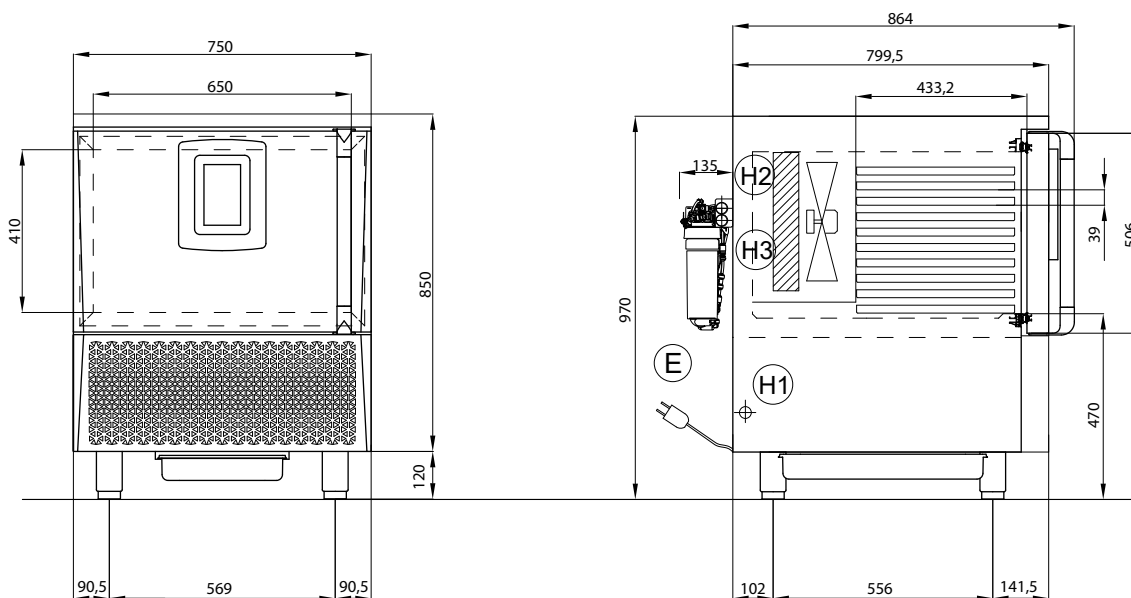
(E) CONNESSIONE ELETTRICA
ELECTRICAL CONNECTION

(H1) CONNESSIONE INGRESSO H2O BOILER
WATER INLET CONNECTION BOILER


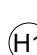


(H2) CONNESSIONE INGRESSO H2O BOILER + FILTRO
WATER INLET CONNECTION BOILER + FILTER

(H3) CONNESSIONE USCITA H2O BOILER + FILTRO
WATER OUTLET CONNECTION BOILER + FILTER

Aufnahme von EN-Blechen



 H MIN 120
H MAX 165

-  **CONNESSIONE ELETTRICA**
ELECTRICAL CONNECTION
-  **CONNESSIONE INGRESSO H2O BOILER**
WATER INLET CONNECTION BOILER
-  **CONNESSIONE INGRESSO H2O BOILER + FILTRO**
WATER INLET CONNECTION BOILER + FILTER
-  **CONNESSIONE USCITA H2O BOILER + FILTRO**
WATER OUTLET CONNECTION BOILER + FILTER