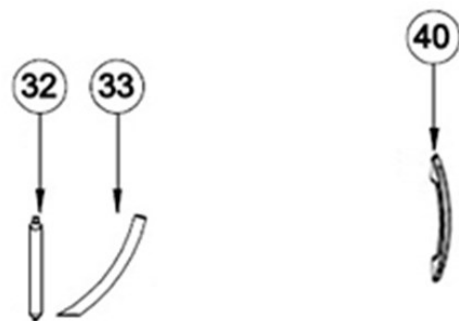
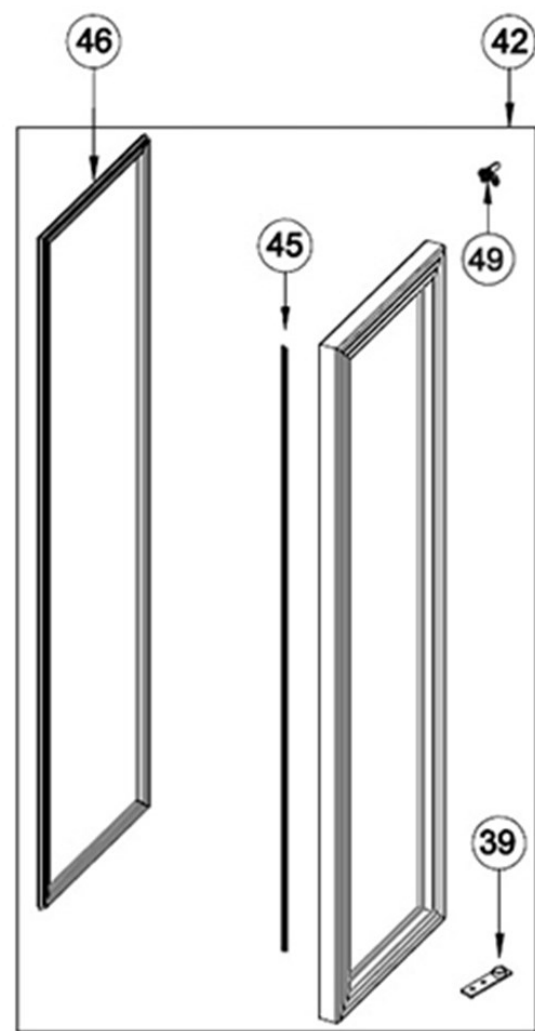
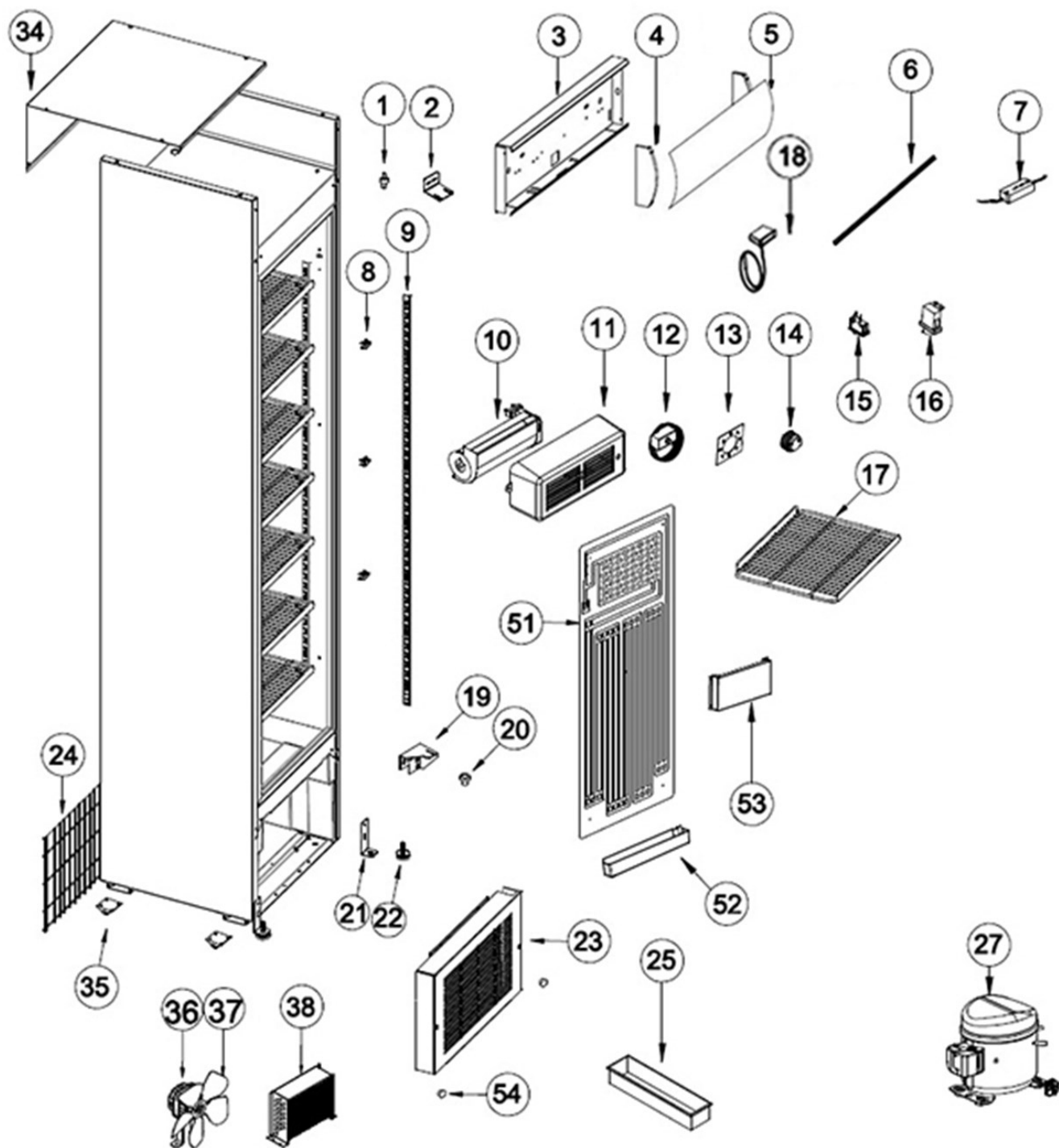


Ersatzteilliste-Explosionszeichnung

Gewerbekühlschrank **KU 175 G-SP Black**

[Art. 435701175]





34077 / FSC175H BLACK

Position	ItemNo	Description
01	12911	Pin For Hinge
02	12961	Top Hinge Base Left/Right
03	10211	Canopy Back Sheet Black
04	10318	Left/Right Side Cover Canopy
05	10272	Canopy Opal Plate
06	15634	LED Strip
07	15671	Power Supply 4 Sides Glass LED
08	32062	Clip For Shelf Black
09	14988	Rail For Shelves
10	13531	Fan Motor Int/Ext
11	13390	Cover For Internal Fan
12	13998	Thermostat K50B-S16176 R600
13	14048	Thermostat Scale Label White
14	14023	Thermostat Knob FS
15	13737	Light Switch
16	12191	Door Switch Black 14x30 mm
17	35054	Wire Shelf Black
18	13790	Thermometer Analog Black 1.2M
19	12732	Bottom Hinge
20	12863	Hinge Bush
21	14574	Bracket For Feet
22	14570	Adjustable Screw Foot
23	10832	Bottom Panel
24	11828	Compressor Grill
25	11470	Drip Tray
27	11705	Compressor EMT45CDP R600A
32	15721	Filter Drier 20 G
33	11442	Drain Pipe
34	10477	Top Cover
35	14617	Roller
36	13519	Fan Motor
37	13494	Fan Blade Ø200 5 Wings
38	14084	Condenser
39	12786	Bushing For Hinge With Wires
40	12700	Handle Curved Black
42	12263	Glass Door Complete
45	15505	Door LED Strip 1290 mm 2700K
	15506	Door LED Strip 1290 mm 6500K
46	12062	Door Gasket Black
49	10721	Lock With Keys
51	14494	Rollbond Evaporator White
52	11472	Drip Tray
53	11501	Drip Tray Cover
54	11243	Cover For Screw

2022-07-15

Finanzen/Service
28307 Bremen
Thalendorststraße 15
Tel.+49 421 48557-0
Fax+49 421 488650
bremen@nordcap.de

Vertrieb Ost
12681 Berlin
Wolfener Straße 32/34, Haus K
Tel.+49 30 936684-0
Fax+49 30 936684-44
berlin@nordcap.de

Vertrieb West
40699 Erkrath
Max-Planck-Straße 30
Tel.+49 211 540054-0
Fax+49 211 540054-54
erkrath@nordcap.de

Vertrieb Nord
21079 Hamburg
Großmoorbogen 5
Tel.+49 40 766183-0
Fax+49 40 770799
hamburg@nordcap.de

Vertrieb Süd
55218 Ingelheim
Hermann-Bopp-Straße 4
Tel.+49 6132 7101-0
Fax+49 6132 7101-20
ingelheim@nordcap.de



www.nordcap.de