

Ersatzteilliste-Explosionszeichnung

Umluft-Gewerbekühlschrank KU 703 COMFORT



PREMIUM CABINETS 700 L
FRIGORIFERI PREMIUM 700L

CLASS C and A

| PNC | MODEL | REF | PAGE | DESCRIPTION | NOTE/ BRAND |
|--------|-----------|-----|-----------|--|----------------|
| 110212 | NPT71FRHP | c | 3,4,5,7,8 | 1D REF.CAB670L R290-2°C DIG.A304 CLASS A | Zanussi |
| 110213 | NCT71FRHP | d | 3,4,5,7,8 | 1D FREEZ.670L R290-22° DIG.A304 CLASS C | Zanussi |
| 110581 | ZRX71FRH | m | 3,4,5,7,8 | 1-DOOR REF. 670L -2°C DIGITAL A304-R290 CLASS B | Zanussi |
| 110582 | ZRX71FFH | n | 3,4,5,7,8 | 1-DOOR FREEZER 670L -22-15°C,DIGITAL-R290-CLASS C | Zanussi |
| 110878 | ZRX71FRH | q | 3,4,5,7,8 | 1-DOOR REFRIGERATOR 670L -2/+10°C,DIGITAL WITH LIGHT-R290 CLASS B | Zanussi |
| 110901 | ZRX71FFHC | t | 3,4,5,7,8 | 1-DOOR FREEZER 670L -22-15°C, DIGITAL WITH LIGHT CLASS C R290 | Zanussi |
| 110903 | ZRX71FFHC | r | 3,4,5,7,8 | 1-DOOR FREEZER 670L WITH INTERNAL LIGHT -22-15°C,DIGITAL-R290-CLASS C | Zanussi |
| 110952 | ZRX71FRH | m | 3,4,5,7,8 | 1-DOOR REFRIGERATOR 670L -2/+10°C, DIGITAL, A304 - R290 CLASS B | Zanussi |
| 110953 | ZRX71FFH | n | 3,4,5,7,8 | 1-DOOR FREEZER 670L -22-15°C, DIGITAL, A304, R290 - CLASS C | Zanussi |
| 110977 | ZRX142FFH | q | 3,4,5,7,8 | 1-DOOR REFRIGERATOR 670L -2/+10°C, DIGITAL WITH LIGHT, A304 - R290 - CLASS B | Zanussi |
| 110978 | ZRX71FFHC | t | 3,4,5,7,8 | 1-DOOR FREEZER 670L -22-15°C, DIGITAL WITH LIGHT, A304, R290 - CLASS C | Zanussi |
| 111132 | ZR471FR | z | 3,4,5,7,8 | 1-DOOR REFRIGERATOR 670L 0+6°C, DIGITAL, S/S -R290 CLASS B | Zanussi |
| 111133 | ZR471FF | a1 | 3,4,5,7,8 | 1-DOOR FREEZER 670L -22-15°C, DIGITAL, S/S, R290 CLASS C | Zanussi |
| 111134 | ZR471FRA | b1 | 3,4,5,7,8 | 1-DOOR REFRIGERATOR 670L 0+6°C - R290 CLASS A | Zanussi |
| 111135 | ZRX71FRHA | c1 | 3,4,5,7,8 | 1-DOOR REFRIGERATOR 670L -2/+10°C - R290 CLASS A | Zanussi |
| 190EUK | ERX71FRH | f1 | 3,4,5,7,8 | 1-DOOR REFRIGERATOR 670L -2/+10°C, DIGITAL | EPR |
| 190EUL | ERX71FFH | g1 | 3,4,5,7,8 | 1-DOOR FREEZER 670L -22-15°C, DIGITAL, A | EPR |
| 725162 | ERX71FFHC | u | 3,4,5,7,8 | 1-DOOR FREEZER 670L -22-15°C, DIGITAL WITH LIGHT CLASS C R290 | EPR |
| 725184 | ERX71FFHC | s | 3,4,5,7,8 | 1-DOOR FREEZER 670L WITH INTERNAL LIGHT -22-15°,DIG(R290)-CLASS C-R290 | EPR |
| 725350 | ERX71FFHC | u | 3,4,5,7,8 | 1-DOOR FREEZER 670L -22-15°C, DIGITAL WITH LIGHT, A304, R290 - CLASS C | EPR |
| 725356 | ERX71FRH | o | 3,4,5,7,8 | 1-DOOR REFRIGERATOR 670L -2/+10°C, DIGITAL, A304 - R290 CLASS B | EPR |
| 725357 | ERX71FFH | p | 3,4,5,7,8 | 1-DOOR FREEZER 670L -22-15°C, DIGITAL, A304 - R290 - CLASS C | EPR |
| 725395 | ERX71FRH | q | 3,4,5,7,8 | 1-DOOR REFRIGERATOR 670L -2/+10°C,DIGITAL WITH LIGHT, A304 - R290 - CLASS B | EPR |

Index

| | |
|---|------|
| Cabinet and door/Mobile e porta | 3 |
| Cooling unit assembly/Gruppo refrigerante | 4,5 |
| Remote cooling unit assembly/Gruppo refrigerante remoto | 6 |
| Control panel/Pannello comandi | 7,8 |
| Spare parts list/Lista ricambi | 9-15 |

Page

| | |
|------|--|
| 3 | |
| 4,5 | |
| 6 | |
| 7,8 | |
| 9-15 | Bold= last change/Grassetto =ultima modifica |

Rev. 9

| | | | |
|---------------------------------------|----------------------------------|---------|-----------------------|
| From Ser. Nr.... Up to Ser. Nr.... | Ed. 2016/05/01 Update 2024/03 | Page: 1 | Doc No: 560156 |
|---------------------------------------|----------------------------------|---------|-----------------------|

PREMIUM CABINETS 700 L
FRIGORIFERI PREMIUM 700L

CLASS C and A

| PNC | MODEL | REF | PAGE | DESCRIPTION | NOTE/ BRAND |
|-------------------|-------------|-----|-----------|---|----------------|
| 725396 | RE471FR | x | 3,4,5,7,8 | 1-DOOR REFRIGERATOR 670L 0+6°C, DIGITAL, S/S -R290 CLASS B | EPR |
| 725397 | RE471FF | y | 3,4,5,7,8 | 1-DOOR FREEZER 670L -22-15°C, DIGITAL, S/S, R290 CLASS C | EPR |
| 725456 | RE471FRA | d1 | 3,4,5,7,8 | 1-DOOR REFRIGERATOR 670L 0+6°C, DIGITAL, S/ S+WHEELS -R290 CLASS A - UK | EPR |
| 725457 | ERX71FRHA | e1 | 3,4,5,7,8 | 1-DOOR REFRIGERATOR 670L -2+10°C, DIGITAL, A304 - R290 CLASS A | EPR |
| 727633 | ESP71FRCHP | e | 3,4,5,7,8 | 1D REF.CAB670L R290-2°C DIG.A304 CLASS A | EPR |
| 727634 | ESP71FFCHP | f | 3,4,5,7,8 | 1D FREEZ.670L R290-22°C DIG.A304 CLASS C | EPR |
| 727808 | ERX71FRH | o | 3,4,5,7,8 | 1-DOOR REFRIGERATOR 670L -2+10°C,DIG-R290-CLASS B-R290 | EPR |
| 727809 | ERX71FFH | p | 3,4,5,7,8 | 1-DOOR FREEZER 670L -22-15°,DIG(R290)-CLASS C-R290 | EPR |
| 727996 | ERX71FRH | q | 3,4,5,7,8 | 1-DOOR REFRIGERATOR 670L -2/+10°C,DIGITAL WITH LIGHT-R290 CLASS B | EPR |
| 728883/ P71652 | CTE71FRCHP | b | 3,4,5,7,8 | 1D REF.CAB670L-2°C DIG.A304 R290 CLASS A | Alpen |
| 728884/ P71653 | CTE71FFCHP | a | 3,4,5,7,8 | 1D FREEZ.670L-22° DIG.A304 R290 CLASS C | Alpen |
| 728924 | CTE71FRCHPW | g | 3,4,5,7,8 | 1-DOOR REFRIGERATED CABINET 670L-2°+10°C DIG. A304 R290 CLASS A+WHEELS | Alpen |
| 728925 | CTE71FFCHPW | h | 3,4,5,7,8 | 1D FREEZ.670L-22° DIG.A304 R290 CLASS C | Alpen |
| 729525 | ARX71FRH | q | 3,4,5,7,8 | 1-DOOR REFRIGERATOR 670L -2/+10°C,DIGITAL WITH LIGHT-R290 CLASS B | Alpen |
| 729551 | ARX71FRH | i | 3,4,5,7,8 | 1-DOOR REFR 670L -2/+10°C,DIG (R290)-CLASS B | Alpen |
| 729552 | ARX71FFH | l | 3,4,5,7,8 | 1DR FREEZ.670L -22-15°,DIG(R290)-CLASS C | Alpen |
| 729671 | ARX71FRH | q | 3,4,5,7,8 | 1-DOOR REFRIGERATOR 670L -2+10°C, DIGITAL WITH LIGHT, A304 - R290 - CLASS B | Alpen |
| 729672 | ARX71FRH | i | 3,4,5,7,8 | 1-DOOR REFRIGERATOR 670L -2+10°C, DIGITAL - R290 - CLASS B | Alpen |
| 729673 | ARX71FFH | l | 3,4,5,7,8 | 1-DOOR FREEZER 670L -22-15°C, DIGITAL, A304 - R290 - CLASS C | Alpen |
| 190CD7 | ERX71FRH | j | 3,4,5,7,8 | 1-DOOR REFRIGERATOR 670L -2+10°C,DIG-R290-CLASS B-R290 | EPR |
| 190CD8 | ERX71FFH | k | 3,4,5,7,8 | 1-DOOR FREEZER 670L -22-15°,DIG(R290)-CLASS C-R290 | EPR |
| 190D0L | ERX71FFH | v | 3,4,5,7,8 | 1-DOOR FREEZER 670L -22-15°,DIG(R290)-CLASS C-R290 | EPR |
| 190D0M | ERX71FRH | w | 3.6.7.8 | 1-DOOR REFRIGERATOR 670L -2/+10°C,DIGITAL WITH LIGHT-R290 CLASS B | EPR |

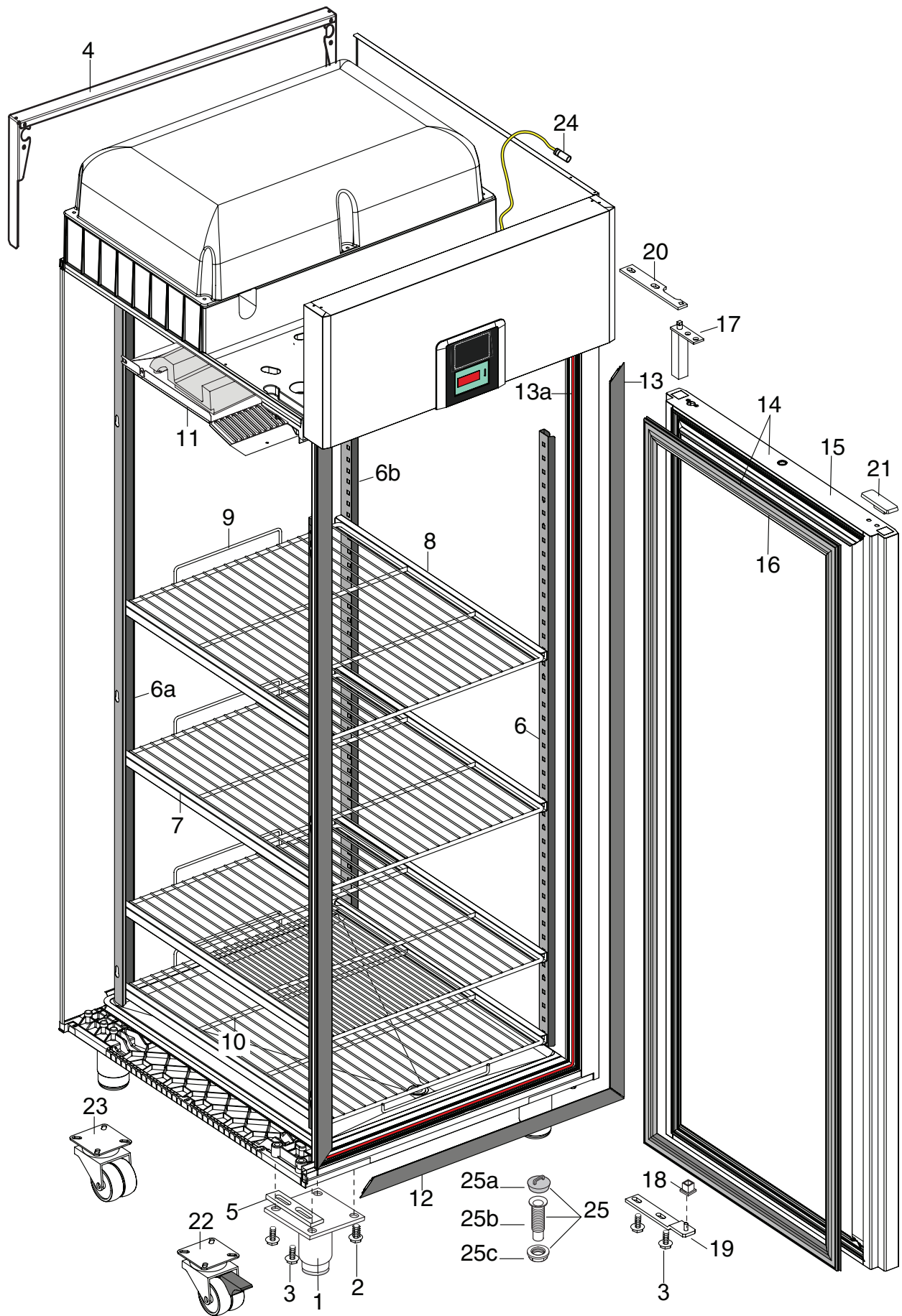
Index

| | |
|---|------|
| Cabinet and door/Mobile e porta | 2 |
| Cooling unit assembly/Gruppo refrigerante | 3,4 |
| Remote cooling unit assembly/Gruppo refrigerante remoto | 5 |
| Control panel/Pannello comandi | 6,7 |
| Spare parts list/Lista ricambi | 8,13 |

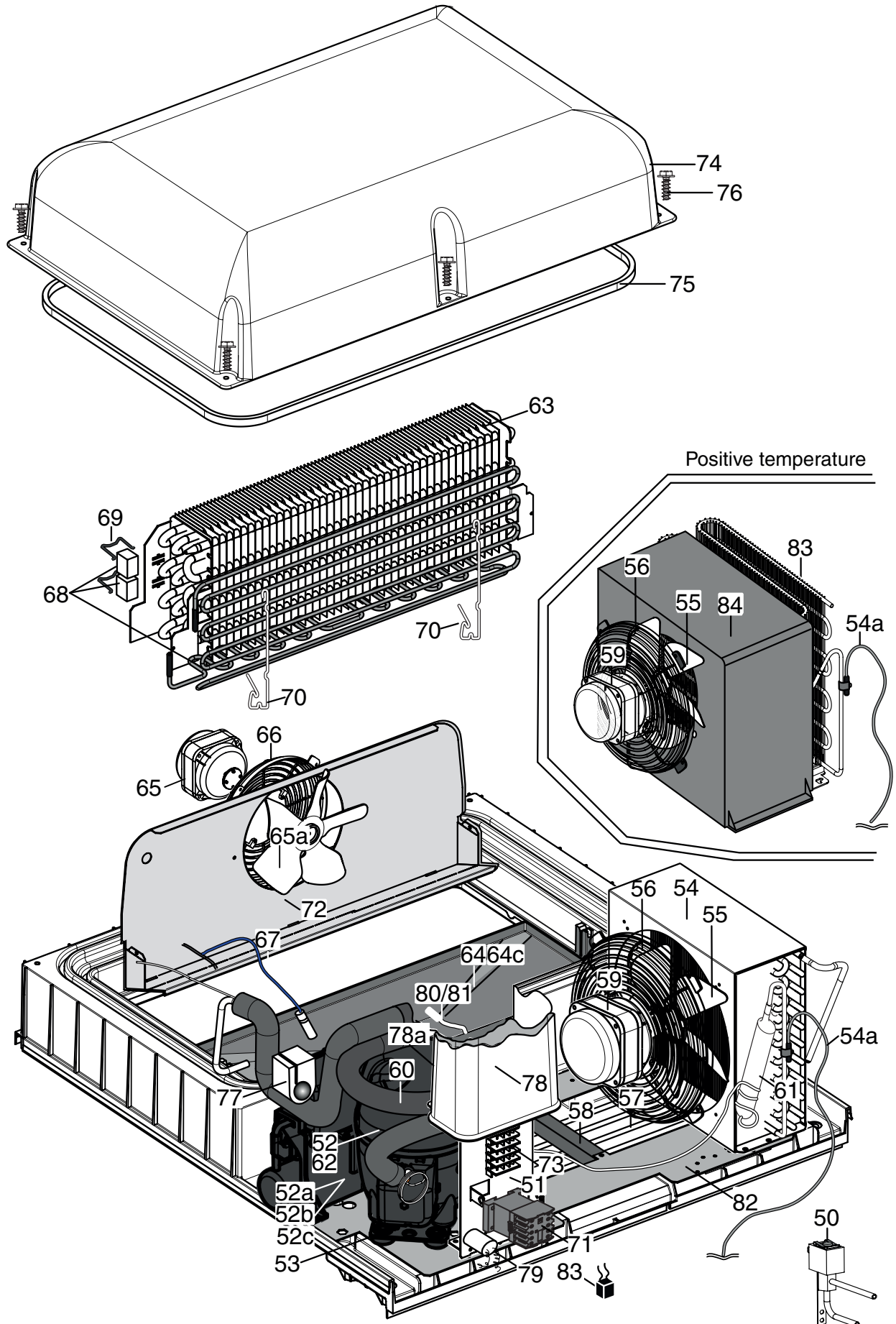
Bold= last change/Grassetto =ultima modifica

Rev:

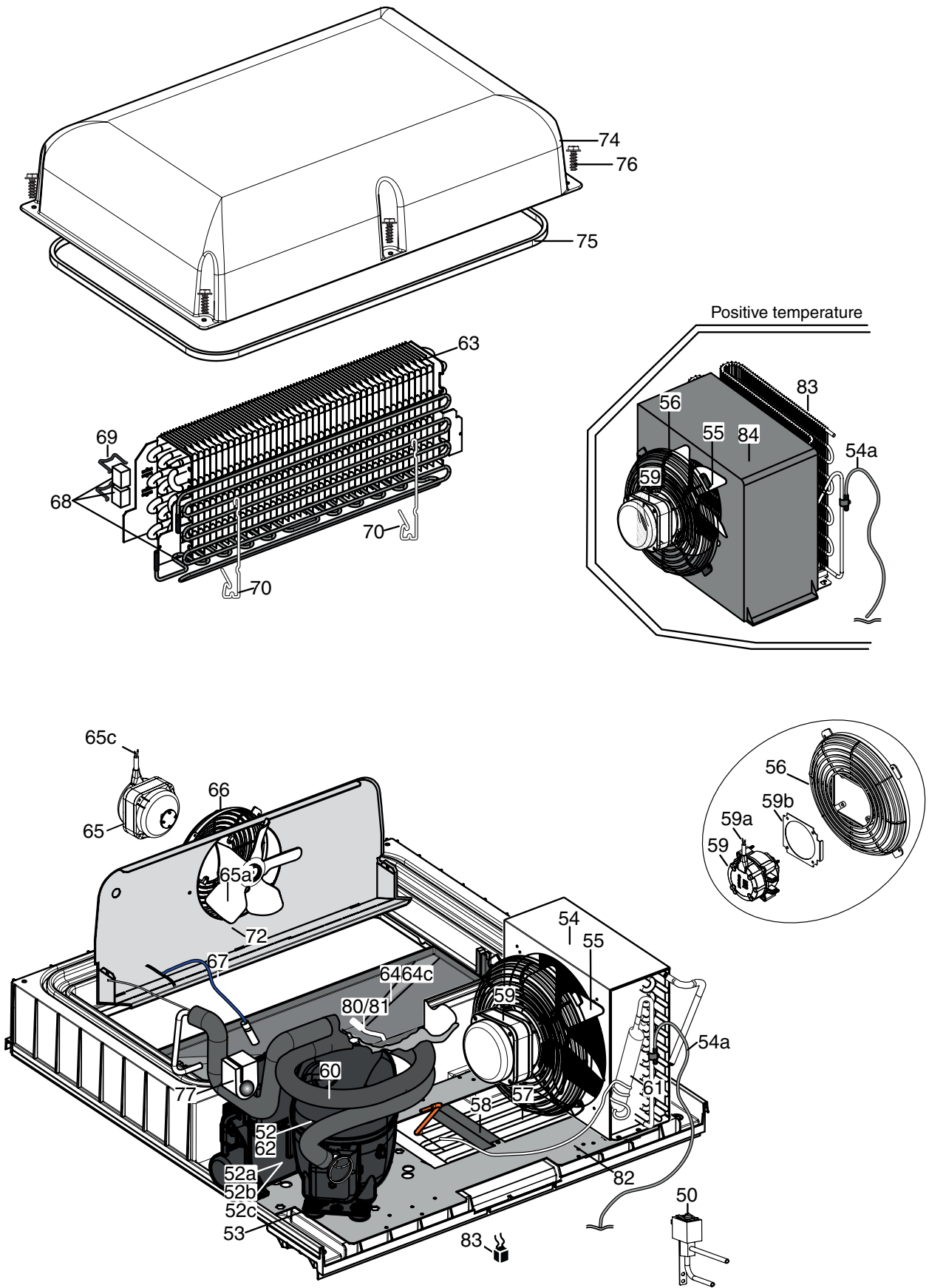
| | | | |
|---------------------------------------|----------------------------------|---------|-----------------------|
| From Ser. Nr.... Up to Ser. Nr.... | Ed. 2016/05/01 Update 2024/03 | Page: 2 | Doc No: 560156 |
|---------------------------------------|----------------------------------|---------|-----------------------|



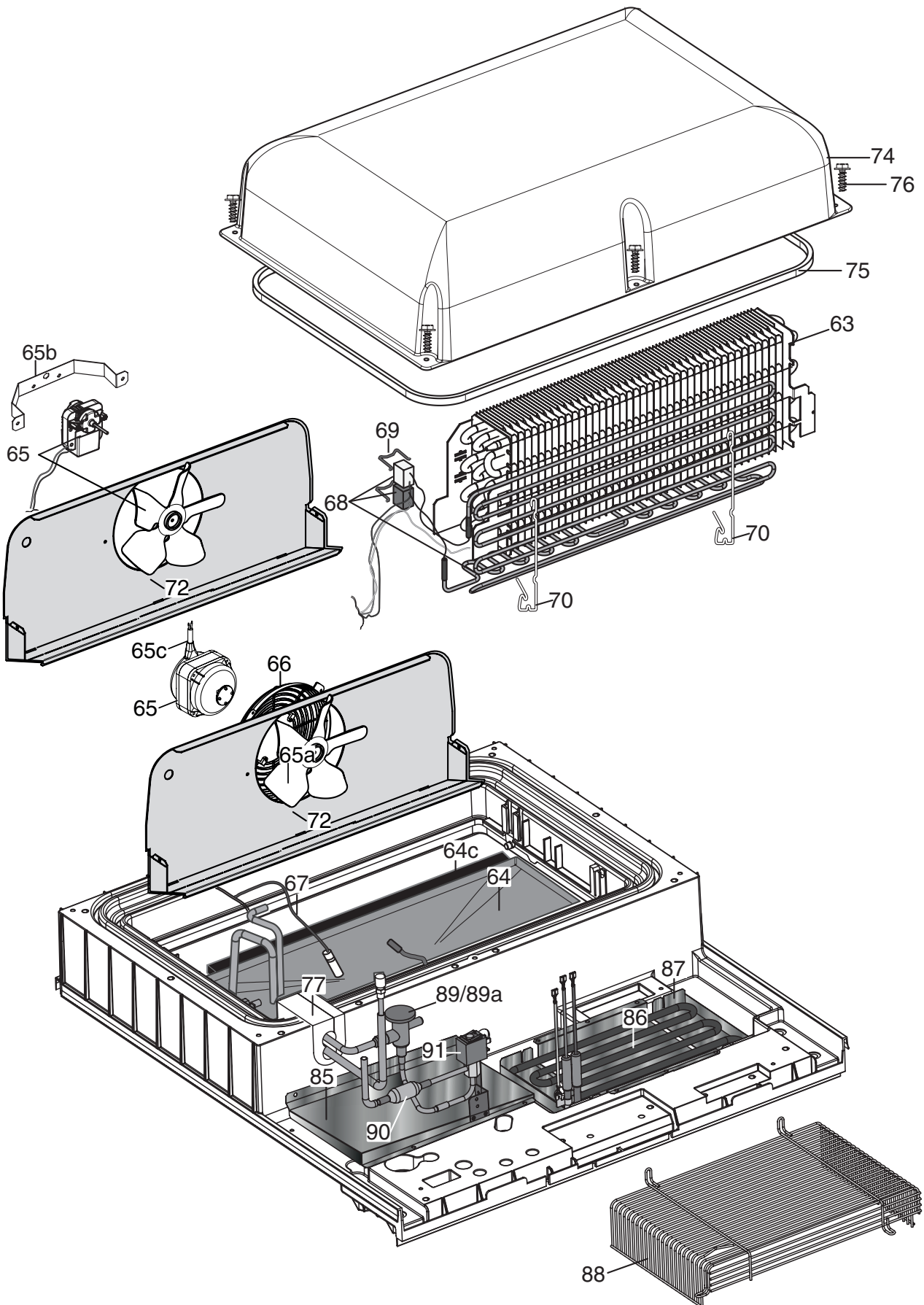
COOLING UNIT ASSEMBLY UP TO WK 37/2021



COOLING UNIT ASSEMBLY FROM WK 2021/38

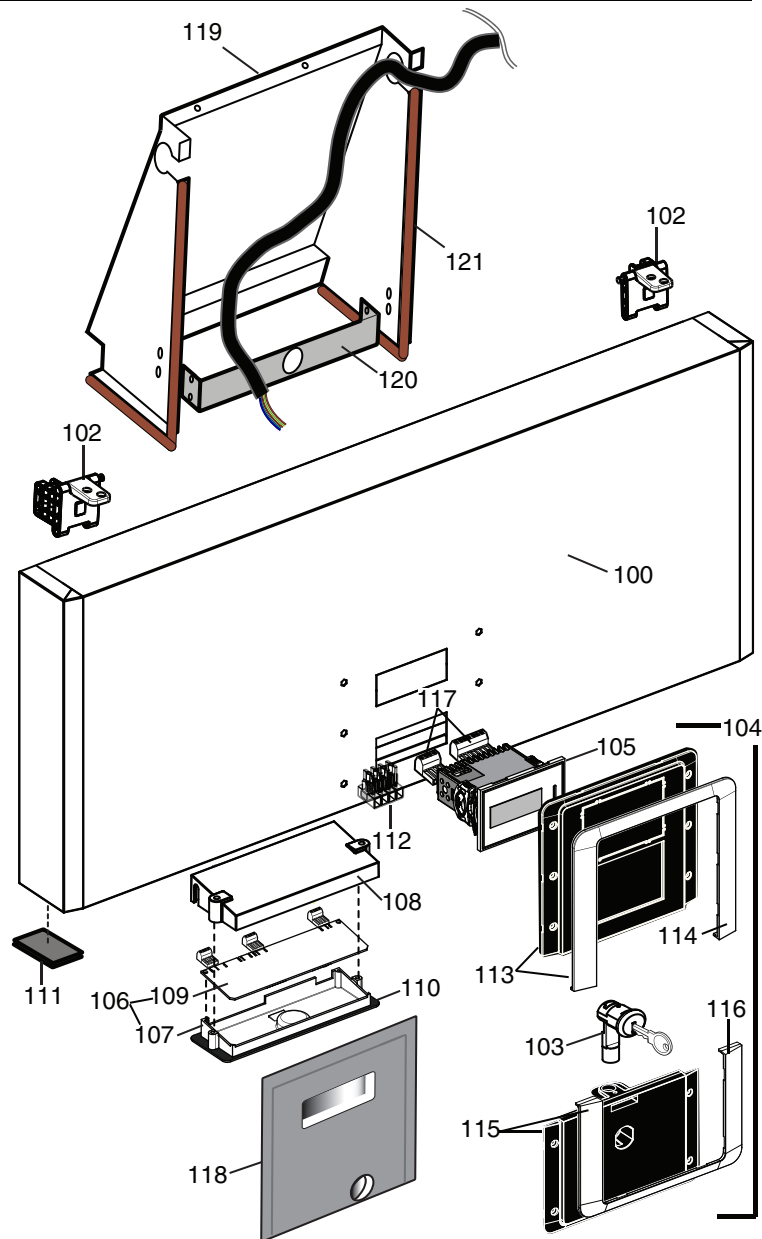


REMOTE COOLING UNIT ASSEMBLY

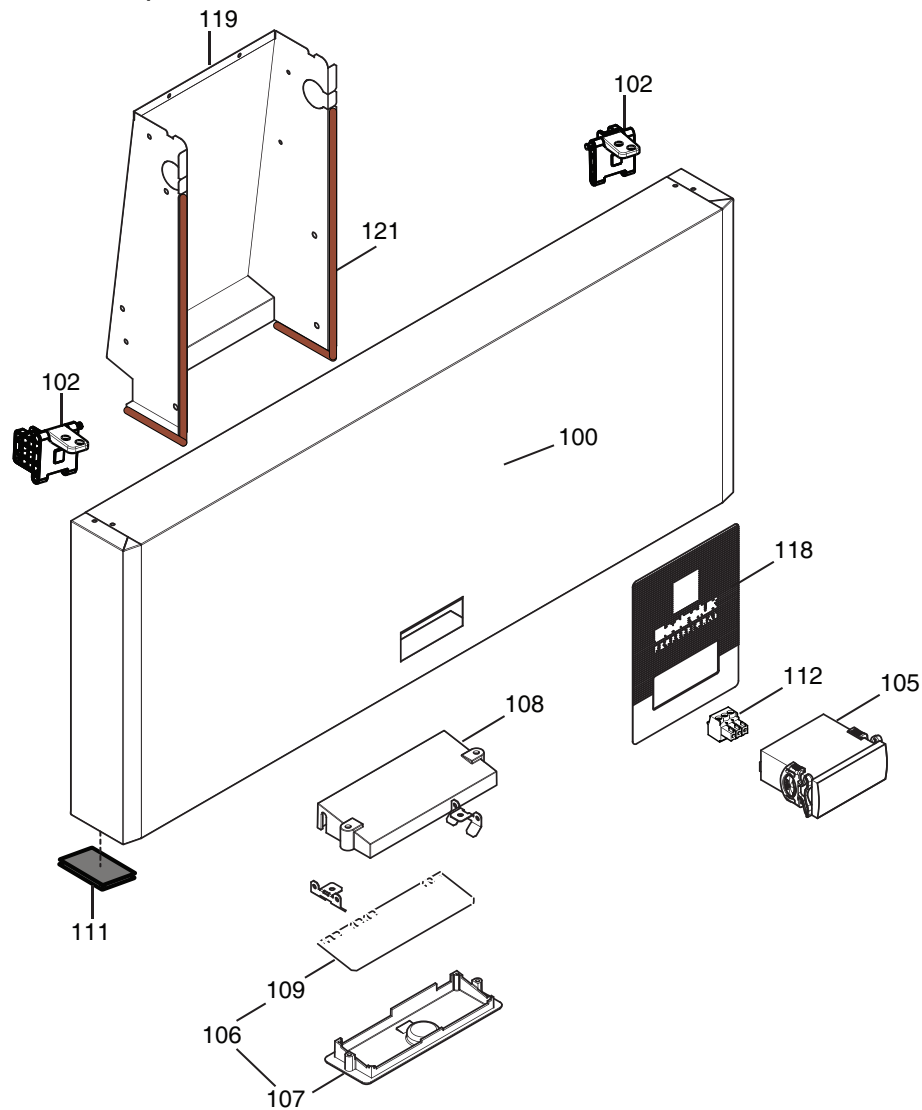


CONTROL PANEL UP TO WK 37/2021

99

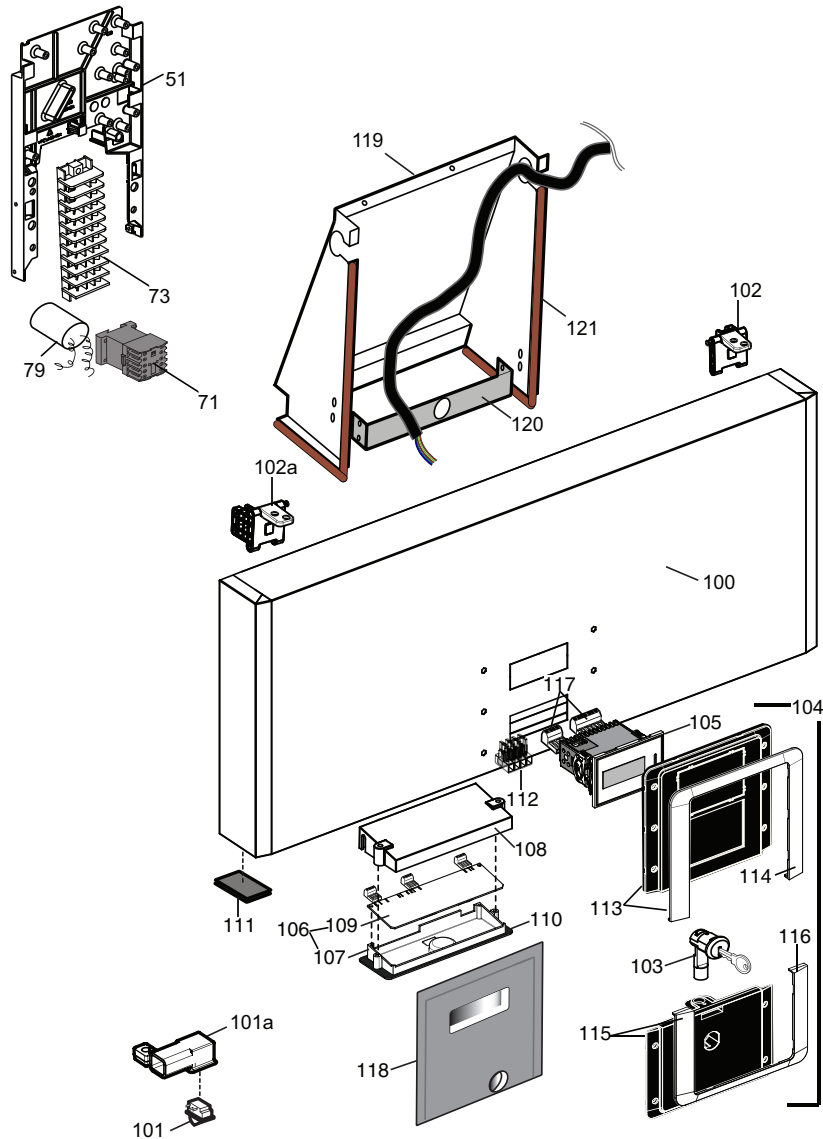


99 for ref q,r,s,t,u,w

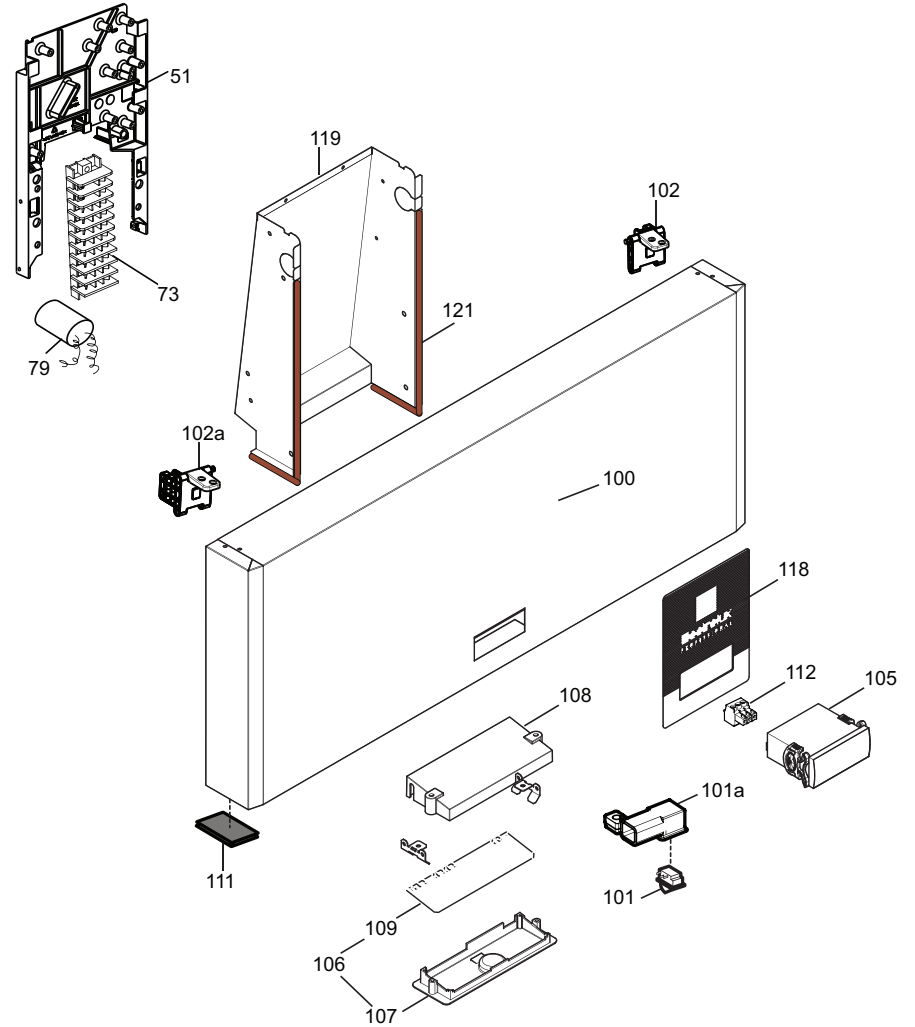


CONTROL PANEL FROM WK 2021/38

99



99 for ref q,r,s,t,u,w



| PREMIUM CABINETS | | | | | CLASS C and A | |
|------------------|---------------|-------------------|---|-----------------------------------|--|--|
| Pos | Code | Factory code | Description | Descrizione | Ref/notes | |
| Pag. 2 | | Cabinets and door | | Mobile e porta | Illus:560156_p2 | |
| 1 | 093243 | 541R05001 | Piedino | Foot | | |
| 2 | 093245 | 217555204 | Vite per plastica per piedino | Screw (use by fix foot) | | |
| 3 | 093246 | 518708601 | Vite M8x20 per fiss. staffa sup/inf | Screw M8X20 (use by fix bracket) | | |
| 4 | | 0502R91800 | Staffa supporto fianchi | Side support (upper) | | |
| 5 | 093248 | 546R22800 | Distanziale per piede | Foot spacer | | |
| 6 | 093355 | 501R36201 | Cremagliera anteriore | Front Rack | a,b,c,d,e,f,g,h | |
| 6 | 093249 | 501R38201 | Cremagliera anteriore | Front Rack | i,j,k,l,m,n,o,p,q,r,s,v,w, x,y,z,a1,b1,c1,d1,e1,f1, g1 | |
| 6a | 093356 | 501R48300 | Cremagliera posteriore dx 304 | Right back rack | a,b,c,d,e,f,g,h | |
| 6b | 093357 | 501R36101 | Cremagliera posteriore sx 304 | Left back rack | a,b,c,d,e,f,g,h | |
| 7 | 093358 | 501R48000 | Guida Sx 304 | Left support 304 | a,b,c,d,e,f,g,h | |
| 7 | 093250 | 501R47900 | Guida Sx 430 | Left support 430 | i,j,k,l,m,n,o,p,q,r,s,v,w, x,y,z,a1,b1,c1,d1,e1,f1, g1 | |
| 8 | 093359 | 501R48200 | Guida Dx 304 | Right support 304 | a,b,c,d,e,f,g,h | |
| 8 | 093251 | 501R48100 | Guida Dx 430 | Right support 430 | i,j,k,l,m,n,o,p,q,r,s,v,w, x,y,z,a1,b1,c1,d1,e1,f1, g1 | |
| 9 | 081883 | 0514702003 | Griglia 2/1 aisi 304 530x650 | Grid 2/1 aisi 304 530x650 | a,b,g,h | |
| 9 | 093252 | 0514R10600 | Griglia 2/1 rilsan 530x650 | Grid 2/1 rilsan 530x650 | c,d,e,f,i,j,k,l,m,n,o,p,q, r,s,v,w,x,y,z,a1,b1,c1, d1,e1,f1,g1 x2,x4 | |
| 10 | 094231 | 0514R17500 | Griglia di fondo aisi 304 | Bottom grid aisi 304 | a,b,g,h | |
| 10 | 093253 | 0514R12200 | Griglia di fondo rilsan | Bottom grid rilsan | c,d,e,f,i,j,k,l,m,n,o,p,q, r,s,v,w,x,y,z,a1,b1, c1,d1,e1,f1,g1 | |
| 11 | 097108 | 0875R37600 | Carter interno BT | Internal protection BT | a,d,f,h,k,l,n,p,r,s,v,y,a1,g1 | |
| 11 | | 0875R37401 | Carter interno CL | Internal protection CL | b,c,e,g,i,j,m,o,q,w,x,z, b1,c1,d1,e1,f1 | |
| 12 | 093254 | 832R09001 | Cornice orizzontale | Orizzontal frame | | |
| 13 | 093255 | 832R09101 | Cornice verticale | Vertical frame | | |
| 13a | 094842 | 0617R13300 | Cavo riscaldante cornice 8.9 W 2W/M | Heating cable frame 8.9 W | b,c,e,g | |
| 13a | 094841 | 0617R13200 | Cavo riscaldante cornice 22,5 W 5W/M | Heating cable frame 22,5 W | a,d,f,h,n,l,p,t,u,v,y,a1,g1 | |
| 13a | 093330 | 0617R06701 | Cavo riscaldante cornice | Heating cable frame | k,r,s | |
| 14 | | 0881R39503 | Porta con guarnizione e cerniere | Gasket, hinge and door | a,d,f,h | |
| 14 | 095820 | 0881R49002 | Porta con guarnizione e cerniere | Gasket, hinge and door | b,c,e,g | |
| 14 | | 882R49701 | Porta con guarnizione e cerniere | Gasket, hinge and door | i,j,m,o,c1,e1,f1 | |
| 14 | | 882R50000 | Porta con guarnizione e cerniere | Gasket, hinge and door | k,l,n,p,r,s,v,g1 | |
| 14 | | 883R27800 | Porta con guarnizione e cerniere | Gasket, hinge and door | q,w | |
| 14 | | 883R54600 | Porta con guarnizione e cerniere | Gasket, hinge and door | t,u | |
| 14 | | 883R85000 | Porta con guarnizione e cerniere | Gasket, hinge and door | x,z,b1,d1 | |
| 14 | | 883R85400 | Porta con guarnizione e cerniere | Gasket, hinge and door | y,a1 | |
| 15 | 0TTAQ9 | 0835R49903 | Porta | Door | a,d,f,h | |
| 15 | | 0835R51102 | Porta | Door | b,c,e,g | |
| 15 | 093581 | 0835R27407 | Porta | Door | i,j,m,o,c1,e1,f1 | |
| 15 | 093311 | 0835R24208 | Porta | Door | k,l,n,p,r,s,v,g1 | |
| 15 | | 0835R75600 | Porta | Door | q,w | |
| 15 | | 0835R75800 | Porta | Door | t,u | |
| 15 | 096028 | 0835R27507 | Porta | Door | x,z,b1,d1 | |
| 15 | 093310 | 0835R24408 | Porta | Door | y,a1 | |
| 16 | 094152 | 0548R08000 | Guarnizione porta | Gasket door | | |
| 17 | 082219 | 835704001 | Cerniera porta | Hinge door | | |
| 18 | 081654 | 544700601 | Boccola per porta | Door bush | | |

| PREMIUM CABINETS | | | | | CLASS C and A |
|---------------------------------------|---------------|-------------------|--|--|--|
| Pos | Code | Factory code | Description | Descrizione | Ref/notes |
| 19 | 094849 | 0833R35400 | Staffa inferiore porta | Lower stirrup door | |
| 20 | 094848 | 0505R24400 | Staffa superiore porta | Upper stirrup door | |
| 21 | 093271 | 541R05301 | Tappo per cerniere | Hole hinge plug | |
| 22 | 087110 | 0835739900 | Ruota rotante con freno | Wheel with brake | g,h |
| 22 | 093575 | 835R24900 | Ruota rotante con freno | Wheel with brake | d1 |
| 23 | 087111 | 0835740000 | Ruota rotante | Wheel | g,h |
| 23 | 093574 | 835R24800 | Ruota rotante | Wheel | d1 |
| 24 | 093371 | 646R10900 | Sonda ambiente | Ambient probe | a,b,c,d,e,f,g,h |
| 25 | 094985 | 832R22400 | Ass. piletta di scarico condensa | Discharge pipe water condenser ass.y | b,c,e,g |
| 25a | 085535 | 0545733700 | Tappo per piletta | Discharge pipe water plug | b,c,e,g |
| 25b | 094847 | 0546R37700 | Piletta di scarico condensa | Discharge pipe water condenser | b,c,e,g |
| 25c | 081797 | 0544701400 | Controdado | Locknut | b,c,e,g |
| Pag. 3 | | Cooling unit | | Gruppo refrigerante | Illustr:50156_p3 |
| 50 | 094435 | 0646R10502 | Elettrovalvola WB4,5 6W 220/230V | Solenoid valve | a,d,f,h,k,l,n,p,r,s,v,w,y, a1,g1 |
| 51 | | 502R24300 | Supporto impianto elettrico | Electrical wiring support | Up to 2021/37 |
| 51 | 097284 | 546R43401 | Supporto impianto elettrico | Electrical wiring support | From 2021/38 |
| 52 | 094840 | 0684R11900 | Compres. NEU2168U 220/50 hz R290 | Compressor (NEU2168U) 220/50hz | a,d,f,h,k,l,n,p,r,s,v,y,a1 |
| 52 | 093425 | 0684R05700 | Compres. EMT6144U 220/50 hz R290 | Compress. EMT6144U 220/50 hz R290 | b,c,e,g,h,i,j,m,o,q,x,z |
| 52 | 095045 | 0684R12200 | Compres. EMBRACO EMC3119U R290 230-50HZ | Compress. EMBRACO EM-C3119U R290 230-50HZ | b1,c1,d1,e1 |
| 52 | 097594 | 0684R16200 | Compres. NEU2168U 220/50 hz R290 | Compressor (NEU2168U) 220/50hz | g1 |
| 52 | 097593 | 0684R16300 | Compres. EMT6144U 220/50 hz R290 | Compress. EMT6144U 220/50 hz R290 | f1 |
| 52a | * | * | Relè avviamento | Start relay | |
| 52b | * | * | Protettore | Protector | |
| 52c | * | * | Condensatore di avviamento | Start capacitor | |
| 53 | | 0502R19300 | Supporto per compressore | Support for compressor | |
| 54 | 093333 | 830R04900 | Condensatore 4R 11T | Condenser 4R 11T | a,d,f,h,k,l,n,p,r,s,v,y, a1,g1 |
| 54A | 092360 | 646R09400 | Sonda condensatore | Probe condenser | a,b,c,d,e,f,g,h |
| 55 | 093365 | 0511R01000 | Ventola 230-34 | Fan 230-34 | |
| 55 | 09A1NF | 0511R00800 | Ventola 230-25 | Fan 230-25 | b1,c1,d1,e1 |
| 56 | 089755 | 0546709500 | Protezione ventola 230 | Fan protection 230 | |
| 57 | 095075 | 0515R21201 | Serpentina evap. acqua di condensa | Evaporation water pipe | a,d,f,h,k,l,n,p,r,s,v,y, a1,g1 |
| 57 | 093259 | 0515R12701 | Serpentina evap. acqua di condensa | Evaporation water pipe | b,c,e,g,i,j,m,o,q,x,z, b1,c1,d1,e1,f1 |
| 58 | 093260 | 543R09300 | Fissaggio serpentina | Stopper pipe | |
| 59 | 096482 | 0682R12700 | Ventilatore condensatore | Condenser ventilator | |
| 59a | 097055 | 635R37900 | Cablaggio ventilatore | Fan wiring | From 2021/38 |
| 59b | 096660 | 504R15800 | Lamiera protezione ventola | Fan condenser protection | |
| 60 | 094846 | 0858R15000 | Scambiatore | Heat exchanger | a,d,f,h,k,l,n,p,r,s,v,y, a1,g1 |
| 60 | 096488 | 0858R06900 | Scambiatore | Heat exchanger | b,c,e,g,i,j,m,o,q,x,z, b1,c1,d1,e1,f1 |
| From Ser. Nr.... Up to Ser. Nr.... | | | | | |
| Ed. 2016/05/01 Update 2024/03 | | Page: 10 | | Doc No: 560156 | |

| PREMIUM CABINETS | | | | | CLASS C and A |
|------------------|--------|--------------|------------------------------------|-------------------------------------|--|
| Pos | Code | Factory code | Description | Descrizione | Ref/notes |
| 61 | 084078 | 0805729802 | Filtro Gr 40 | Dehidrator filter Gr 40 | a,d,f,h,i,l,k,n,p,r,s,v,y, a1,g1 |
| 61 | 099949 | 0858R00100 | Filtro Gr 15 | Dehidrator filter Gr 15 | b,c,e,g,j,i,m,o,q,x,z, b1,c1,d1,e1,f1 |
| 62 | 0A8171 | A02021800 | Valvola per compressore | Compressor valve (charge or disch.) | |
| 63 | 094576 | 0830R10600 | Evaporatore 3R 8T | Evaporator 2R 8T | |
| 63 | 093323 | 0830R03902 | Evaporatore 3R 8T | Evaporator 2R 8T | w |
| 64 | 093278 | 833R21201 | Vaschetta evaporatore acciaio | Evaporator tray steel | a,d,f,h,k,l,n,p,r,s,v,w,y, a1,g1 |
| 64 | 093469 | 0546R19201 | Vaschetta evaporatore plastica | Evaporator tray plastic | b,c,e,g,i,j,m,o,q,x,z,b1, c1,d1,e1,f1 |
| 64c | 093409 | 548R07200 | Isolante per vaschetta evaporatore | Insulation for evaporator tray | a,d,f,h,k,l,n,p,r,s,v,y, a1,g1 |
| 65 | 096661 | 0682R12800 | Ventilatore evaporatore 1800 EBM | Evaporator fan 1800 EBM | a,d,f,h,k,l,n,p,r,s,t,u,v,y, a1,g1 |
| 65 | 093367 | 682R05800 | Ventilatore evaporatore | Evaporator fan | b,c,e,g,i,j,m,o,q,w up to 2021/37 |
| 65 | 096231 | 0682R12600 | Ventilatore evaporatore | Evaporator fan | b,c,e,g,i,j,m,o,q,w,x,z b1,c1,d1,e1,f1 from 2021/38 |
| 65a | 093411 | 0511R01100 | Ventola 154 34° | Fan 154 34° | a,d,f,h,k,l,n,p,r,s,t,u,v,y, a1,g1 |
| 65a | 093783 | 0511R01200 | Ventola 200 28° | Fan 200 28° | b,c,e,g,i,j,m,o,q,w,x,z, b1,c1,d1,e1,f1 |
| 65c | 097055 | 635R37900 | Cablaggio ventilatore | Fan wiring | a,d,f,h,k,l,n,p,r,s,t,u,v,y, a1 from 2021/38 |
| 65c | 097055 | 635R37900 | Cablaggio ventilatore | Fan wiring | b,c,e,g,i,j,m,o,q,w,x,z, b1,c1,d1,e1,f1 from 2021/38 |
| 66 | 093412 | 514R12300 | Griglia ventilatore | Fan grid | a,d,f,h,k,l,n,p,r,s,t,u,v,y, a1,g1 |
| 66 | 089770 | 0546709600 | Griglia ventilatore | Fan support | b,c,e,g,i,j,m,o,q,w,x,z, b1,c1,d1,e1,f1 |
| 67 | 092173 | 0646R06700 | Sonda cella | Cell probe | |
| 68 | 094844 | 0617R13500 | Resistenza con termostati 400W | Heating element with thermostat | a,d,f,h,i,l,k,n,p,r,s Up to 2021/37 |
| 68 | 094843 | 0617R13400 | Resistenza con termostati 200W | Heating element with thermostat | b,c,e,g,i,j,m,o,q,x,z, b1,c1,d1,e1,f1 |
| 68 | | 0617R25500 | Resistenza con termostati | Heating element with thermostat | a,d,f,h,i,l,n,p,t,v,y,a1,g1 From 2021/38 |
| 68 | 097286 | 0617R25400 | Resistenza con termostati | Heating element with thermostat | w |
| 69 | 093487 | 0514R11600 | Molla per fissaggio termostati | Thermostat spring | |
| 70 | 093516 | 0514R11200 | Molla per fissaggio resistenza 3R | Heating element spring 3R | a,d,f,h,k,l,n,p,r,s,v,y, a1,g1 |
| 70 | 093508 | 0514R11102 | Molla per fissaggio resistenza 3R | Heating element spring 3R | b,c,e,g,i,j,m,o,q,x,z,b1, c1,d1,e1,f1 |
| 70 | 093368 | 0514R10801 | Molla per fissaggio resistenza 2R | Heating element spring 2R | w |
| 71 | 093848 | 0648R06300 | Relè 66.82.8.230.0001 | Relay 66.82.8.230.0001 | a,d,f,h,j,k,l,n,p,r,s,v,y, a1,g1 |
| 72 | 094168 | 0501R71901 | Convogliatore evaporatore 1 foro | Evaporator conveyor 1 hole | a,d,f,h,k,l,n,p,r,s,t,u,v,y, a1,g1 |
| 72 | 093370 | 0501R43902 | Convogliatore evaporatore 1 foro | Evaporator conveyor 1 hole | b,c,e,g,i,j,m,o,q,w,x,z, b1,c1,d1,e1,f1 |
| 73 | | 853R31501 | Morsettiera | Clamp | b,c,e,g,j |
| 73 | | 856R20402 | Morsettiera | Clamp | a,d,f,h,v |
| 73 | | 855R0AA01 | Morsettiera | Clamp | i,m,o,x,z b1,c1,d1,e1, f1 |
| 73 | | 855R0AD00 | Morsettiera | Clamp | l,n,p,y,a1,g1 |
| 73 | | 856R31501 | Morsettiera | Clamp | q,w up to 2022/41 |

| PREMIUM CABINETS | | | | | CLASS C and A |
|------------------|--------|---------------|--|---|---------------------------------------|
| Pos | Code | Factory code | Description | Descrizione | Ref/notes |
| 73 | | 855R0AJ00 | Morsettiera | Clamp | q,w from 2022/42 |
| 73 | | 856R20402 | Morsettiera | Clamp | r,s,t,u up to 2022/41 |
| 73 | | 855R0AF00 | Morsettiera | Clamp | r,s,t,u from 2022/42 |
| 74 | 093261 | 835R24100 | Assieme Calotta | Evaporator cover | Up to 6181 |
| 74 | 095201 | 835R47601 | Assieme Calotta schiumata | Foamed Evaporator cover | From 6191 |
| * | 095200 | 881R32401 | Modulo Calotta TN | Evaporator cover Module TN | b,c,e,g,j,m,o,x,z, b1, c1,d1,e1 |
| * | | 881R37301 | Modulo Calotta TN remoto | Evaporator cover Module TN remoto | w |
| * | 095202 | 546R34400 | Staffa per calotta schiumata | Support for foamed Evaporator | a |
| 75 | 093262 | 14701R003 | Neoprene espanso 8x13,3 nero (M4) | Gasket cover (neoprene 8x13,3) | |
| 76 | 093245 | 217555204 | Vite senza punta x plastica | Cover screw | |
| 77 | 093263 | 0546R19702 | Tamponcino per tubi | Pipe cover insulation | |
| 77 | 093614 | 0546R25800 | Tamponcino per tubi | Pipe cover insulation | w |
| 78 | 094425 | 546R26501 | Copertura scatola impianto elettrico | Wiring box cover | Up to 2021/37 |
| 78a | 093976 | 546R26701 | Scatola impianto elettrico | Wiring box | Up to 2021/37 |
| 79 | 096636 | 694R00502 | Filtro antisturbo | Electrical filter | |
| 80 | 094845 | 0617R13600 | Resistenza scarico condensa | Drain heating | a,d,f,h,k,l,n,p,r,s,v,y, a1,g1 |
| 81 | 093547 | 0514R12900 | Molla per fissaggio resistenza scarico | Retaining spring for water heater discar. | a,d,f,h,k,l,n,p,r,s,v,y, a1,g1 |
| 82 | 094451 | 546R26800 | Basamento gruppo | Basement | |
| 83 | 093431 | 0830R06601 | Condensatore a filo 5R | Wiring copndenser 5R | b,c,e,g,i,j,m,o,q,x,z, b1,c1,d1,e1,f1 |
| 84 | 093602 | 0546R24200 | Convogliatore condensatore | Condenser cover | b,c,e,g,i,j,m,o,q,x,z, b1,c1,d1,e1,f1 |
| 85 | 093607 | 501R63701 | Sgocciolatoio | Drainer | w |
| 86 | 097289 | 617R26100 | Resistenza evaporazione 100W | Water evaporation heating element | w |
| 87 | 093606 | 501R63601 | Bacinella evaporazione | Water condensation basin | w |
| 88 | 093604 | 514R13101 | Griglia protezione resistenza | Protection grid | w |
| 89 | 095674 | 646R16000 | Valvola termostatica - R448A | Thermostatic Valve - R448A | w |
| 89a | 089614 | 565717600 | Isolante per valvola | Valve insulation | w |
| 90 | 090229 | 525719000 | Filtro meccanico a rete | Filter | w |
| 91 | 094435 | 646R10502 | Valvola solenoide | Solenoid valve | w |
| Page 4 | | Control panel | | Pannello di controllo | Illustr:50156_p4 |
| 99 | | 0881R49202 | Cruscotto completo senza template | Panel complete without template | a,d,f,h |
| 99 | | 0881R48902 | Cruscotto completo senza template | Panel complete without template | b,c,e,g |
| 99 | | 0880R50107 | Cruscotto completo senza template | Panel complete without template | i,m,o up to 2021/37 |
| 99 | | 0882R50101 | Cruscotto completo senza template | Panel complete without template | l,n,p up to 2021/37 |
| 99 | | 0883R27401 | Cruscotto completo senza template | Panel complete without template | q up to 2021/37 |
| 99 | | 0883R37200 | Cruscotto completo senza template | Panel complete without template | j |
| 99 | | 0883R36900 | Cruscotto completo senza template | Panel complete without template | k |
| 99 | | 0883R27600 | Cruscotto completo senza template | Panel complete without template | r,s |
| 99 | | 0883R79500 | Cruscotto completo senza template | Panel complete without template | l,n,p,g1 from 2021/38 |
| 99 | | 0883R80601 | Cruscotto completo senza template | Panel complete without template | t,u |
| 99 | | 0883R78902 | Cruscotto completo senza template | Panel complete without template | i,m,o,c1,e1,f1 from 2021/38 |
| 99 | | 0883R78601 | Cruscotto completo senza template | Panel complete without template | q,w from 2021/38 |
| 99 | | 0878R00F00 | Cruscotto completo senza template | Panel complete without template | v |
| 99 | | 0883R80002 | Cruscotto completo senza template | Panel complete without template | x,z,b1 |
| 99 | | 0883R80002 | Cruscotto completo senza template | Panel complete without template | d1 up to 2023/28 |
| 99 | | 0883R80100 | Cruscotto completo senza template | Panel complete without template | y |
| 99 | | 0883R79102 | Cruscotto completo senza template | Panel complete without template | d1 from 2023/29 |

| PREMIUM CABINETS | | | | | CLASS C and A |
|------------------|---------------|-------------------|---|--|---|
| Pos | Code | Factory code | Description | Descrizione | Ref/notes |
| 100 | 095169 | 0509R20503 | Cruscotto comandi senza componenti | Panel 304 AISI without components | a,b,c,d,e,f,g,h |
| 100 | 093265 | 0509R12604 | Cruscotto comandi senza componenti | Panel 304 AISI without components | i,j,k,l,m,n,o,p up to 2021/37 |
| 100 | | 509R24200 | Cruscotto comandi senza componenti | Panel 304 AISI without components | q,r,s up to 2021/37 |
| 100 | | 509R24201 | Cruscotto comandi senza componenti | Panel 304 AISI without components | q,r,s,t,u,w from 2021/38 Up to 2022/41 |
| 100 | | 509R26800 | Cruscotto comandi senza componenti | Panel 304 AISI without components | q,r,s,t,u,w from 2022/42 |
| 100 | | 509R24601 | Cruscotto comandi senza componenti | Panel 304 AISI without components | i,j,k,l,m,n,o,p,v,x,y,z,a1, b1,c1,d1,e1,f1,g1 from 2021/38 |
| 101 | 094035 | 640R02100 | Micro porta | Switch | a,b,c,d,e,f,g,h,i,j,k,l,m, n,o,p,v,x,y,z,a1,b1, c1,d1,e1,f1,g1 |
| 101 | 094035 | 640R02100 | Micro porta | Switch | q,r,s,t,u,w from 2022/42 |
| 101a | 092353 | 546R12100 | Protezione micro | Door switch protection | i,j,k,l,m,n,o,p,v,x,y,z, a1,b1,c1,d1,e1,f1,g1 |
| 101a | 092353 | 546R12100 | Protezione micro | Door switch protection | q,r,s,t,u,w from 2022/42 |
| 102 | 093609 | 0832R10100 | Cerniera per cruscotto dx | Hinge for panel (right) | |
| 102a | 093610 | 0832R10200 | Cerniera per cruscotto sx | Hinge for panel (left) | |
| 103 | 093345 | 0833R20900 | Serratura | Lock | |
| 103 | 093433 | 0833R21100 | Serratura | Lock | q,t,u,w |
| 104 | 093385 | 0855R11300 | Ass.mascherina porta/cruscotto Apx | Complete template door and panel | a,h |
| 104 | 093382 | 0855R11000 | Ass.mascherina porta/cruscotto Apx | Complete template door and panel | b,g |
| 104 | 093381 | 0855R10900 | Ass.mascherina porta/cruscotto Zan | Complete template door and panel | c |
| 104 | 093384 | 0855R11200 | Ass.mascherina porta/cruscotto Zan | Complete template door and panel | d |
| 104 | 093380 | 0855R10801 | Ass.mascherina porta/cruscotto Elux | Complete template door and panel | e |
| 104 | 093383 | 0855R11101 | Ass.mascherina porta/cruscotto Elux | Complete template door and panel | f |
| 105 | 093437 | 0646R10602 | Termoregolatore ir33 premium pc | Thermoregulator premium | a,b,c,d,e,f,g,h |
| 105 | 093532 | 0646R10803 | Termoregolatore ir33 IMEL1J0545 | Thermoregulator IMEL1J0545 | i,l,m,n,o,p Up to 2022/41 Order KIT 097586 See TB VTX2022_08 |
| 105 | 093434 | 0646R11101 | Termoregolatore ir33 IMEL1J0548 | Thermoregulator IMEL1J0548 | j,k Up to 2022/41 Order KIT 097586 See TB VTX2022_08 |
| 105 | 093434 | 0646R11101 | Termoregolatore ir33 IMEL1J0548 | Thermoregulator IMEL1J0548 | q,r,s,t,u,w up to 2022/48 Order KIT 097628 See TB VTX2023_02 |
| 105 | 097579 | 855R18400 | Termoregolatore Carel IJF | Thermoregulator Carel IJF | From 2022/42 Except for q,r,s,t,u,w |
| 105 | 097579 | 855R18400 | Termoregolatore Carel IJF | Thermoregulator Carel IJF | From 2022/49 q,r,s,t,u,w |
| 106 | 093810 | 0855R12701 | Led +supporto | Led-lamp + support | a,b,c,d,e,f,g,h,j,o,x,z,f1 |
| 106 | 093810 | 0855R12701 | Led +supporto per termoregolatore IR33 | Led-lamp + support for thermoregulator IR33 | q,r,s,t,u,w up to 2022/41 |
| 106 | | 0855R0A000 | Led +supporto per termoregolatore IJF | Led-lamp + support for thermoregulator IJF | q,r,s,t,u,w from 2022/42 |
| 107 | 093386 | 0546R19501 | Supporto scheda led | Support led-lamp | a,b,c,d,e,f,g,h,q,w |
| 108 | 093387 | 0546R19600 | Protezione scheda led | Protection led-lamp | a,b,c,d,e,f,g,h,j,o,r,s,t,u, q,w,x,z, b1,d1,e1,f1 |
| 109 | | 648R05501 | Scheda led depotenziata per termoregolatore IR33 | Led-lamp board for thermoregulator IR33 | a,b,c,d,e,f,g,h |
| 109 | | 648R05501 | Scheda led depotenziata per termoregolatore IR33 | Led-lamp board for thermoregulator IR33 | q,r,s,t,u,w up to 2022/41 |

| PREMIUM CABINETS | | | | | CLASS C and A |
|------------------|---------------|-------------------|--|---|---|
| Pos | Code | Factory code | Description | Descrizione | Ref/notes |
| 109 | | 648R02J00 | Scheda led depotenziata per termoregolatore IJF | Led-lamp board for thermoregulator IJF | q,r,s,t,u,w from 2022/42 |
| 110 | 093390 | 569R05900 | Guarnizione per scheda led | Ledlamp board gasket | a,b,c,d,e,f,g,h,q,r,s,t,u,w |
| 111 | 093269 | 541R05401 | Tappo per cerniera porta | Door hinge plug | |
| 112 | 093391 | 639R10400 | Morsetto | Clamp | |
| 113 | * | 0855R10400 | Ass. mascherina cruscotto Apx | Assembled template panel Apx | a,h |
| 113 | * | 0855R10100 | Ass. mascherina cruscotto Apx | Assembled template panel Apx | b,g |
| 113 | * | 0855R10000 | Ass. mascherina cruscotto Zan | Assembled template panel Zan | c |
| 113 | * | 0855R10300 | Ass. mascherina cruscotto Zan | Assembled template panel Zan | d |
| 113 | * | 0855R09900 | Ass. mascherina cruscotto Elux | Assembled template panel Elux | e |
| 113 | * | 0855R10200 | Ass. mascherina cruscotto Elux | Assembled template panel Elux | f |
| 114 | * | 0546R20100 | Cornice mascherina cruscotto Z/Apx | Template frame for panel Z/Apx | a,b,c,d,g,h |
| 114 | * | 0546R20000 | Cornice mascherina cruscotto Elux | Template frame for panel Elux | e,f |
| 115 | * | 0855R10700 | Ass. mascherina porta Apx | Assembled template door Apx | a,b,g,h |
| 115 | * | 0855R10600 | Ass. mascherina porta Zan | Assembled template door Zan | c,d |
| 115 | * | 0855R10500 | Ass. mascherina porta Elux | Assembled template door Elux | e,f |
| 116 | * | 0546R20300 | Cornice mascherina porta Z/Apx | Control door frame Z/Apx | a,b,c,d,g,h |
| 116 | * | 0546R20200 | Cornice mascherina porta Elux | Control door frame Elux | e,f |
| * | 093491 | 0217541085 | Vite per fissaggio mascherina M3x8 | Screws M3X8 for control door/panel | |
| 117 | * | 639R06800 | Connettore dritto 3 vie | Connector 3 ways right | |
| 117 | * | 639R06900 | Connettore dritto 7 vie | Connector 7 ways right | |
| 117 | 099740 | * | Connettore 90° 7 vie | Connector 7 ways 90° | |
| 117 | 099741 | * | Connettore 90° 5 vie | Connector 5 ways 90° | |
| 117 | 088998 | * | Connettore 90° 3 vie | Connector 3 ways 90° | |
| 117 | 099743 | * | Connettore 90° 3 vie piccolo | Connector 3 ways 90° small | |
| 117 | 099742 | * | Connettore 90° 2 vie | Connector 2 ways 90° | |
| 117 | 091682 | * | Connettore 90° 4 vie | Connector 4 ways 90° | |
| 117 | 091684 | * | Connettore 90° 5 vie | Connector 5 ways 90° | |
| 117 | 097578 | 0639R04V00 | Connettore femmina 3 vie | Connector 3 ways female | i,j,k,l,m,n,o,p, q,r,s,t,u, v,w,x,y,z,a1,b1,c1, d1,e1,f1,g1 - From 2022/42 |
| * | 093180 | 639R09600 | Convertitore spina UK | UK plug converter | |
| 118 | 095023 | 598R81601 | Membrana Electrolux | Electrolux membrane | j,k,o up to 2021/37 |
| 118 | 095022 | 598R81500 | Membrana Zanussi | Zanussi membrane | m up to 2021/37 |
| 118 | 095024 | 598R81701 | Membrana neutra | Neutral membrane | i,l |
| 118 | | 598R98503 | Membrana Elux Prof con luce | Elux Prof with light membrane | q,s,u,w - Elux Prof Up to 2022/41 |
| 118 | 097612 | 595R75500 | Membrana Elux Prof con luce | Elux Prof with light membrane | q,s,u,w - Elux Prof From 2022/42 |
| 118 | | 598R99100 | Membrana Zanussi | Zanussi membrane | q,r - Zanussi Up to 2022/41 |
| 118 | 097614 | 595R75700 | Membrana Zanussi | Zanussi membrane | q,r - Zanussi From 2022/42 |
| 118 | | 598R99200 | Membrana Alpen | Alpen membrane | q - Alpen Up to 2022/41 |
| 118 | 097613 | 595R75600 | Membrana Alpen | Alpen membrane | q - Alpen From 2022/42 |
| 118 | 097058 | 598R98603 | Membrana Zanussi | Zanussi membrane | m,n,z,a1,b1,c1 - Zanussi from 2021/38 |
| 118 | 096577 | 598R98301 | Membrana Elux Prof | Elux Prof membrane | j,o,p,v,x,y,d1,e1,f1,g1 - Elux Prof from 2021/38 |
| 118 | | 598R99100 | Membrana Zanussi | Zanussi membrane | t |

| PREMIUM CABINETS | | | | | CLASS C and A |
|------------------|--------|--------------|-----------------------|------------------------|--|
| Pos | Code | Factory code | Description | Descrizione | Ref/notes |
| 119 | 094389 | 501R37403 | Protezione | Protection | q,r,s,t,u up to 2021/43 |
| 119 | 097245 | 504R35000 | Protezione | Protection | q,r,s,t,u,w from 2021/44 Up to 2022/41 |
| 119 | 097576 | 504R39300 | Protezione | Protection | q,r,s,t,u,w From 2022/42 |
| 119 | 093975 | 546R26601 | Protezione | Protection | i,j,k,l,m,n,o,p,v Up to 2022/41 |
| 119 | 097576 | 504R39300 | Protezione | Protection | i,j,k,l,m,n,o,p,v,x,y,z, a1,b1,c1,d1,e1,f1,g1 From 2022/42 |
| 119 | 097292 | 504R24301 | Protezione | Protection | a,b,c,d,e,f,g,h |
| 120 | 093354 | 501R37502 | Staffa per protezione | Support fro protection | i,j,k,l,m,n,o,p Up to 2021/37 |
| 120 | | 504R24400 | Staffa per protezione | Support fro protection | q,r,s - Up to 2021/37 |
| 121 | 0L0113 | 140088006 | Guarnizione | Gasket | a,b,c,d,e,f,g,h,q,r,s |
| | | | | | |

Finanzen / Service

28307 Bremen
Thalendorststraße 15
Tel.+49 421 48557-0
Fax+49 421 488650
bremen@nordcap.de

Vertrieb Ost

12681 Berlin
Wolfener Straße 32/34, Haus K
Tel.+49 30 936684-0
Fax+49 30 936684-44
berlin@nordcap.de

Vertrieb West

40699 Erkrath
Max-Planck-Straße 30
Tel.+49 211 540054-0
Fax+49 211 540054-54
erkrath@nordcap.de

Vertrieb Nord

21079 Hamburg
Großmoorbogen 5
Tel.+49 40 766183-0
Fax+49 40 770799
hamburg@nordcap.de

Vertrieb Süd

55218 Ingelheim
Hermann-Bopp-Straße 4
Tel.+49 6132 7101-0
Fax+49 6132 7101-20
ingelheim@nordcap.de



www.nordcap.de