

SPARE PARTS CATALOGUE

PREMIUM CABINETS

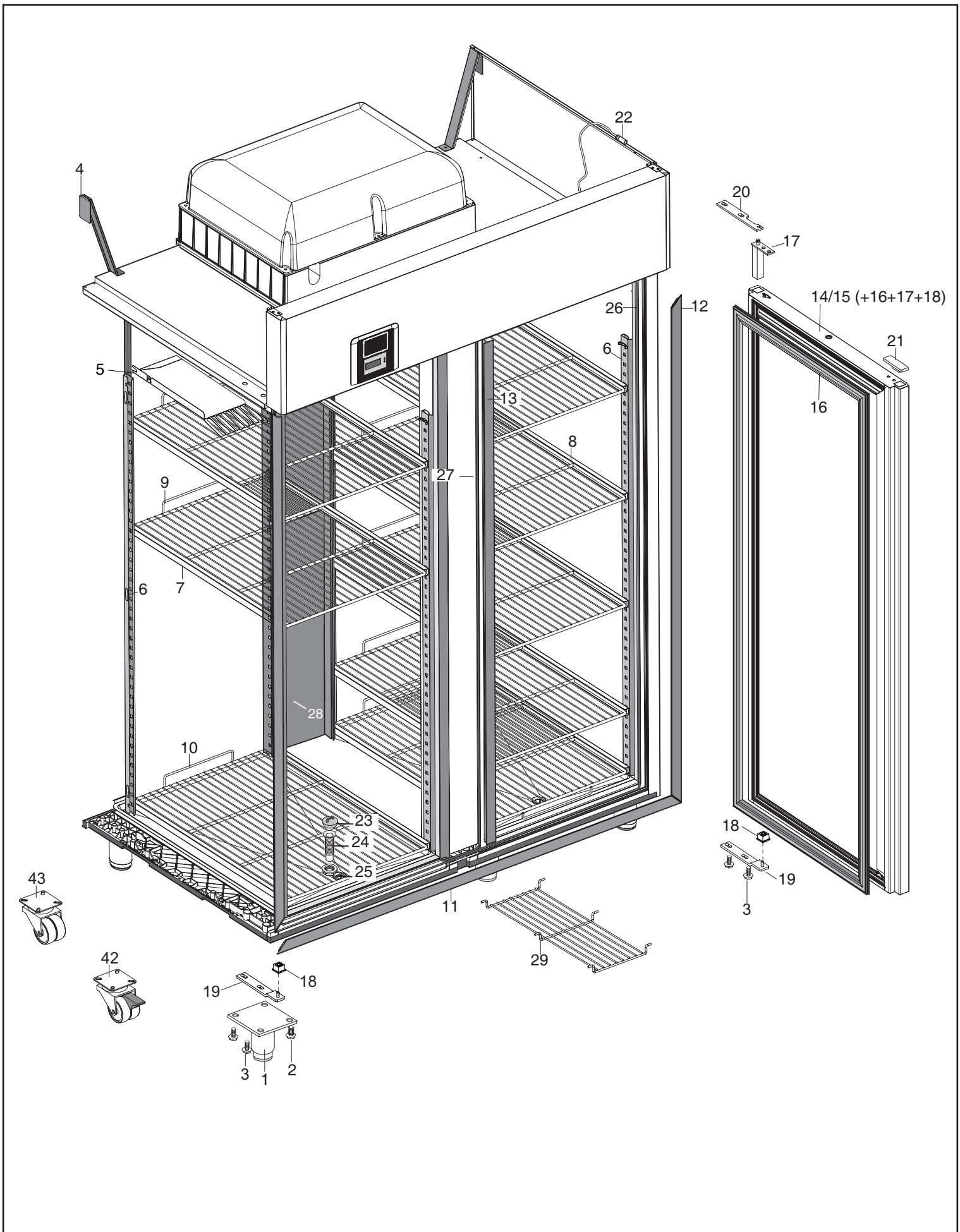
REFRIGERATOR 1400 LT

PNC	MODEL	REF.	PAG.	DESCRIPTION	NOTE/ BRAND
111321	ZR471FF	a	3-6-8	2-DOOR REFRIGERATOR 1430L -2/+10°C - R290 CLASS B	ZAN
725484	ESP142FRC	b	3-6-8	2-DOOR REFRIGERATOR 1430L -2/+10°C, A304 - R290 CLASS B	EPR
725497	ESP144FRC	d	4-6-8	4x½-DOOR REFRIGERATOR 1430L -2/+10°C, DIGITAL A304 - CLASS B	EPR
725499	ESP142PFCG	e	3-6-8	2-DOOR REFRIGERATOR 1430L -2/+10°C, DIGITAL A304+WHEELS - R290 CLASS B - UK	EPR
729693	CTE142FRC	c	3-6-8	2-DOOR REFRIGERATOR 1430L -2/+10°C, DIGITAL, A304 - R290 CLASS B	APX

INDEX - INDICE

PAG.

CABINET AND DOOR	3-4
SPARE PARTS LIST - CABINET AND DOOR	5
COOLING UNIT	6
SPARE PARTS LIST - COOLING UNIT	7
CONTROL PANEL	8
SPARE PARTS LIST - CONTROL PANEL	9



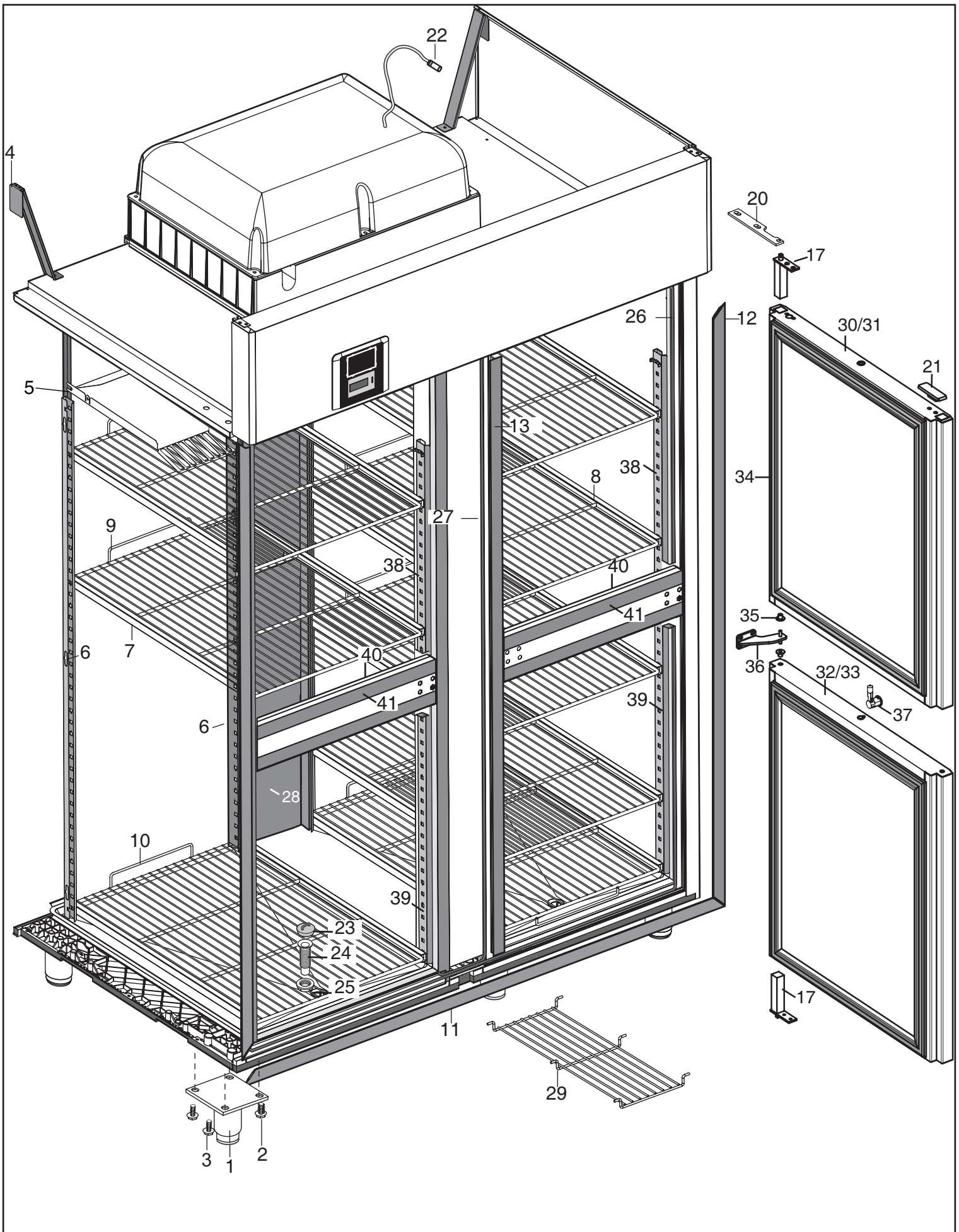
CABINET FULL DOOR

From Ser. Nr.
Up to Ser. Nr.

Ed. 01 2024-02
Ed. 01 2024-05

Page: 3 @

Doc No:595R80800



CABINET HALF DOORS

From Ser. Nr.
Up to Ser. Nr.

Ed. 01 2024-02
Ed. 01 2024-05

Page: 4 @

Doc No:595R80800

POS	FACTORY CODE	S.P. CODE	DESCRIPTION	V	W&T	REF.	NOTES	S/N BREAK (YYYY/WK)
1	541R05001	093243	Foot		x	a; b; c; d		
2	217555204	093245	Screw (used to fix foot)		x	a; b; c; d		
3	518708601	093246	Screw m8X20 (used to fix bracket)		x	a; b; c; d		
4	502R17500	093394	Side support		x			
5	875R37501	099097	Internal protection assembly		x			
6	501R36201	093355	Front and back rack		x			
7	501R48000	093358	Left support		x			
8	501R48200	093359	Right support		x			
9	514R10600	093252	Grid 2/1 rilsan		x	a; b; d; e		
9	514702003	081883	Grid 2/1 aisi 304		x	c		
10	514R12200	093253	Bottom grid rilsan		x	a; b; d; e		
10	514R17500	094231	Bottom grid aisi 304		x	c		
11	832R09202	093545	Orizontal frame		x	a b; c; e		
12	832R09101	093255	Vertical frame		x	a b; c; e		
12	832R09300	093256	Vertical frame 1/2 doors		x	d		
13	875R39801	*	Vertical frame central support		x	a; b; c		
13	832R29300	*	Vertical frame 1/2 doors central support		x	d		
14	835R27209	093478	Door, gasket and hinge (left)		x	a b; c; e		
15	835R27309	094259	Door, gasket and hinge (right)		x	a b; c; e		
16	548R08000	094152	Gasket full door	x		a b; c; e		
17	835704001	082219	Hinge door		x			
18	544700601	081654	Door bush		x	a b; c; e		
19	833R21600	093341	Lower stirrup door		x	a b; c; e		
20	505723803	082257	Upper stirrup door		x			
21	541R05301	093271	Hole hinge plug		x			
22	646R10900	093371	Ambient probe	x				
23	546R26000	093714	Drain pipe		x			
24	545733700	085535	Drain pipe plug		x			
25	544701400	081797	Drain pipe nut		x			
26	617R07201	093429	Heating cable frame 11,58 W		x	a; b; c; e		
26	617R07402		Heating cable frame 16,28 W half doors		x	d		
27	617R07001	093419	Heating cable frame 6,39W		x			
28	501R61700	093497	Central back rack support		x			
29	514R11701	093397	Central grid rilsan		x	a; b; d; e		
29	514R11801	093398	Central grid aisi 304		x	c		
30	835R26311	093546	Upper half door a304 left		x	d		
31	835R29609	*	Upper half door a304 right		x	d		
32	835R25509	093519	Lower half door a304 left		x	d		
33	835R25509	093519	Lower half door a304 right		x	d		
34	548R08101	094153	Half door gasket	x		d		
35	546R21100	093392	Half door bush		x	d		
36	505R12400	093344	Central hinge door		x	d		
37	833R21100	093433	Latch		x	d		
38	501R51700	093363	Upper rack 1/2 doors a304		x	d		
39	501R46100	093364	Lower rack 1/2 doors a304		x	d		
40	880R64100	093342	Support half door a304		x	d		

SPARE PARTS LIST - CABINET AND DOOR

* On demand

Bold=last change

From Ser. Nr. Up to Ser. Nr.	Ed. 01 2024-02 Ed. 01 2024-05	Page: 5	Doc No:595R80800
---------------------------------	----------------------------------	---------	-------------------------

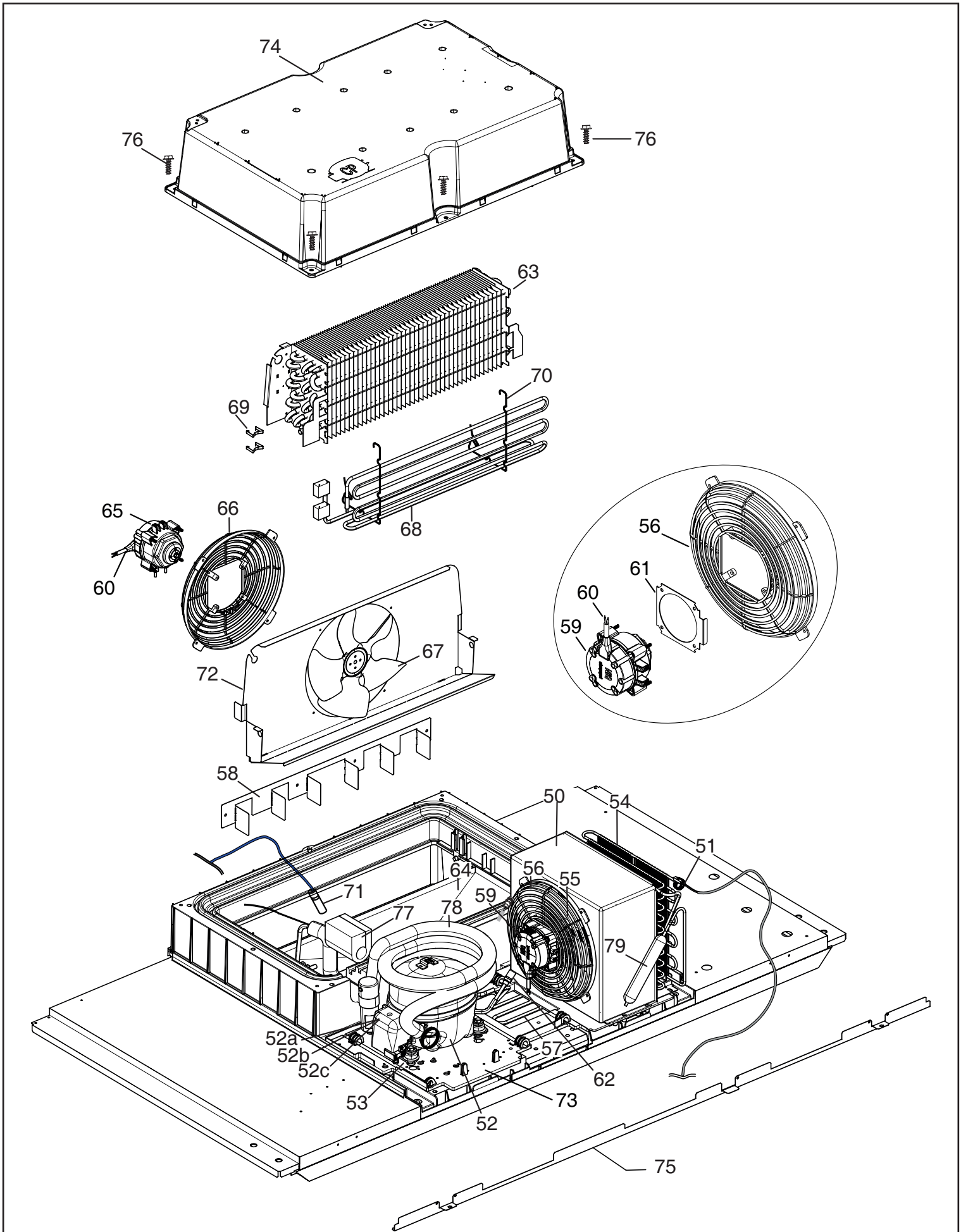
POS	FACTORY CODE	S.P. CODE	DESCRIPTION	V	W&T	REF.	NOTES	S/N BREAK (YYYY/WK)
41	832R10000	093272	Support half door frame		x	d		
42	835R24900	093575	Wheel with brake		x	e		
43	835R24800	093574	Wheel without brake		x	e		

SPARE PARTS LIST - CABINET AND DOOR

* On demand

Bold=last change

From Ser. Nr. Up to Ser. Nr.	Ed. 01 2024-02 Ed. 01 2024-05	Page: 6	Doc No:595R80800
---------------------------------	----------------------------------	----------------	-------------------------



COOLING UNIT

From Ser. Nr.
Up to Ser. Nr.

Ed. 01 2024-02
Ed. 01 2024-05

Page: 7 @

Doc No:595R80800

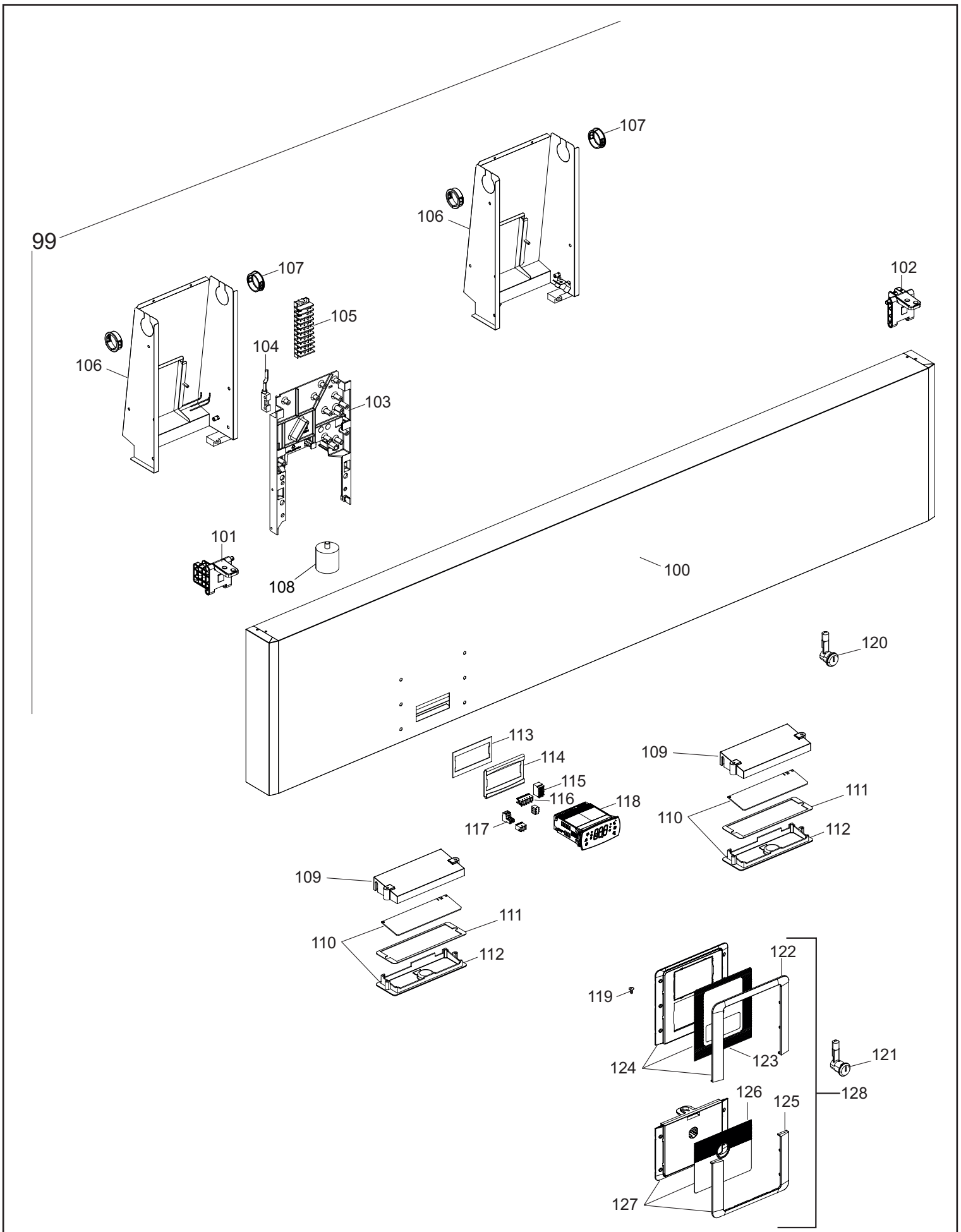
POS	FACTORY CODE	S.P. CODE	DESCRIPTION	V	W&T	REF.	NOTES	S/N BREAK (YYYY/WK)
50	546R24200	093602	Condenser cover	x				
51	646R09400	092360	Probe condenser	x				
52	684R02M00	09A1NG	Compressor EMC3121U 220 240V 50HZ RSCS (711IA5754PW)	x				
52a	*		Start relay	x				
52b	*		Protector	x				
52c	*		Start capacitor	x				
53	518708401	087122	Compressor fixing		x			
54	830R06601	093431	Condenser 5R D4,76	x				
55	511R00800	09A1NF	Fan 230-25	x				
56	546709500	089755	Fan protection		x			
57	515R12701	093259	Evaporation water pipe	x				
58	501R40700	093509	Air conveyor		x			
59	682R12700	096482	Condenser fan (NIQ3212)	x				
60	635R37900	097055	Fan wiring	x				
61	504R15800	096660	Fan condenser protection		x			
62	A02021800	0A8171	Compressor valve (charge or discharge)	x				
63	830R04102	093430	Evaporator 4R 8T	x				
64	833R20801	093432	Evaporator tray		x			
65	682R12700	096482	Evaporator fan	x				
66	546709500	089755	Motor fan support		x			
67	511R00900	092752	Fan 230 -34 ebm	x				
68	617R06201	093347	Heating element with thermostat		x			
69	514R11601	093487	Thermostat spring		x			
70	514R11000	093572	Heating element spring 4R		x			
71	646R06700	092173	Cavity probe	x				
72	502R57901	094428	Evaporator conveyor		x			
73	546R26800	094451	Basement		x			
74	835R47601	095201	Evaporator cover	x				
*	881R32401	095200	Evaporator cover module TN,					
75	501R49702	094617	Upper front covering AISI 304		x			
76	217555204	093245	Cover screw		x			
77	546R19702	093263	Pipe cover insulation	x				
78	858R06400	093507	Heat exchanger	x				
79	805769901	099629	Dehidrator filter	x				

SPARE PARTS LIST - COOLING UNIT

* On demand

Bold=last change

From Ser. Nr. Up to Ser. Nr.	Ed. 01 2024-02 Ed. 01 2024-05	Page: 8	Doc No:595R80800
---------------------------------	----------------------------------	---------	-------------------------



CONTROL PANEL

From Ser. Nr.
Up to Ser. Nr.

Ed. 01 2024-02
Ed. 01 2024-05

Page: 9 @

Doc No:595R80800

POS	FACTORY CODE	S.P. CODE	DESCRIPTION	V	W&T	REF.	NOTES	S/N BREAK (YYYY/WK)
99	883R96701	09A1LV	Panel without template A304		x	a; b; c		
99	883R96000		Panel without template A304		x	d		
99	883R96200		Panel without template A304 UK		x	e		
100	509R25101	097277	Panel 304 AISI		x			
101	832R10200	093610	Left panel hinge		x			
102	832R10100	093609	Right panel hinge		x			
103	546R43401	097284	Electrical wiring support		x			
104	640R00400	097073	Magnetic door sensor	x				
105	639R09900	093528	Clamp PG10-10/LOP-XHP-3CC	x				
106	800R00M00	09A1LI	Back protection control panel		x			
107	639739000	09A1LH	Plastich bushing (Ø32)		x			
108	694R00502	096636	Electrical filter		x			
109	546R19600	093387	Cover led		x			
110	855R0A000	09A1LJ	Support led board predisposed for lock + led board	x				
111	569R05900	093390	Gasket cover led board	x				
112	546R19501	093386	Support led board predisposed for lock	x				
113	569R01A00	09A1LF	Gasket support plate thermoregolare iJF		x			
114	506R01A00	09A1LC	Support plate thermoregolare iJF		x			
115	639R04V00	097578	Small connector 3 ways		x			
116	639735900	099741	Connector 5 ways		x			
117	639R04400	091682	Connector 2 ways		x			
118	855R0BH00	09A1NN	Thermoregulator IJF small premium	x				
119	217541085	093491	Screws M3X8 for control door/panel		x			
120	833R21100	093433	Latch		x			
121	833R20900	093345	Latch		x			
122	546R20100		Template frame for panel ZAN/APX		x	a; c	Zanussi, Alpeninox	
122	546R20000		Template frame for panel EPR		x	b; d; e	Electrolux Professional	
123	755R18000	*	Control panel membrane ZAN		x	a	Zanussi	
123	755R17400	*	Control panel membrane EPR		x	b; d; e	Electrolux Professional	
123	755R17700	*	Control panel membrane APX		x	c	Alpeninox	
124	855R20300		Assembled template panel ZAN		x	a	Zanussi	
124	855R19500		Assembled template panel EPR		x	b; d; e	Electrolux Professional	
124	855R19900		Assembled template panel APX		x	c	Alpeninox	
125	546R20300		Control door frame ZAN/APX		x	a; c	Zanussi, Alpeninox	
125	546R20200		Control door frame EPR		x	b; d; e	Electrolux Professional	
126	755R17900	*	Door membrane ZAN		x	a	Zanussi	
126	755R17300	*	Door membrane EPR		x	b; d; e	Electrolux Professional	
126	755R17600	*	Door membrane APX		x	c	Alpeninox	
127	855R20200		Assembled template door ZAN		x	a	Zanussi	
127	855R19400		Assembled template door EPR		x	b; d; e	Electrolux Professional	
127	855R19800		Assembled template door APX		x	c	Alpeninox	
128	855R19200		Complete template door and panel EPR		x	a	Zanussi	
128	855R18700		Complete template door and panel EPR		x	b; d; e	Electrolux Professional	
128	855R19000		Complete template door and panel EPR		x	c	Alpeninox	

SPARE PARTS LIST - CONTROL PANEL

* On demand

Bold=last change

From Ser. Nr. Up to Ser. Nr.	Ed. 01 2024-02 Ed. 01 2024-05	Page: 10	Doc No:595R80800
---------------------------------	----------------------------------	-----------------	-------------------------

Electrolux Professional SpA
Viale Treviso, 15
33170 Pordenone, ITALY
Fax (+39) 0434 380 201
<https://www.electroluxprofessional.com>
<https://webgate.electroluxprofessional.com>