

FRIGORIFERO DIGITALE

LEGENDA

- B1: INTERUTTORE GENERALE
- B2: MICRO PORTA
- M1: COMPRESSORE
- M2: VENTILATORE CONDENSATORE
- M3: VENTILATORE CELLA
- MP: TERMOREGOLATORE DIGITALE
- V1: VALVOLA GAS CALDO
- L1: LUCE INTERNA
- U1: TRASFORMATORE 230V/24V
- S1: SONDA CAMERA
- S2: SONDA EVAPORATORE
- R1/R2/R3: RESISTENZE DI SBRINAMENTO
- E1: TERMOSTATO DI SICUREZZA

DIGITAL REFRIGERATOR

LEGEND

- B1: MAIN SWITCH
- B2: DOOR MICROSWITCH
- M1: COMPRESSOR
- M2: CONDENSER FAN
- M3: STORAGE COMPARTMENT FAN
- MP: DIGITAL THERMOREGULATOR
- V1: HOT GAS VALVE
- L1: INNER LIGHT
- U1: TRASFORMER 230V/24V
- S1: ROOM PROBE
- S2: EVAPORATOR PROBE
- R1/R2/R3: DEFROST HEATING ELEMENTS
- E1: SAFETY THERMOSTAT

ARMOIRE FRIGORIFIQUE AVEC
CONTROLE DIGITAL

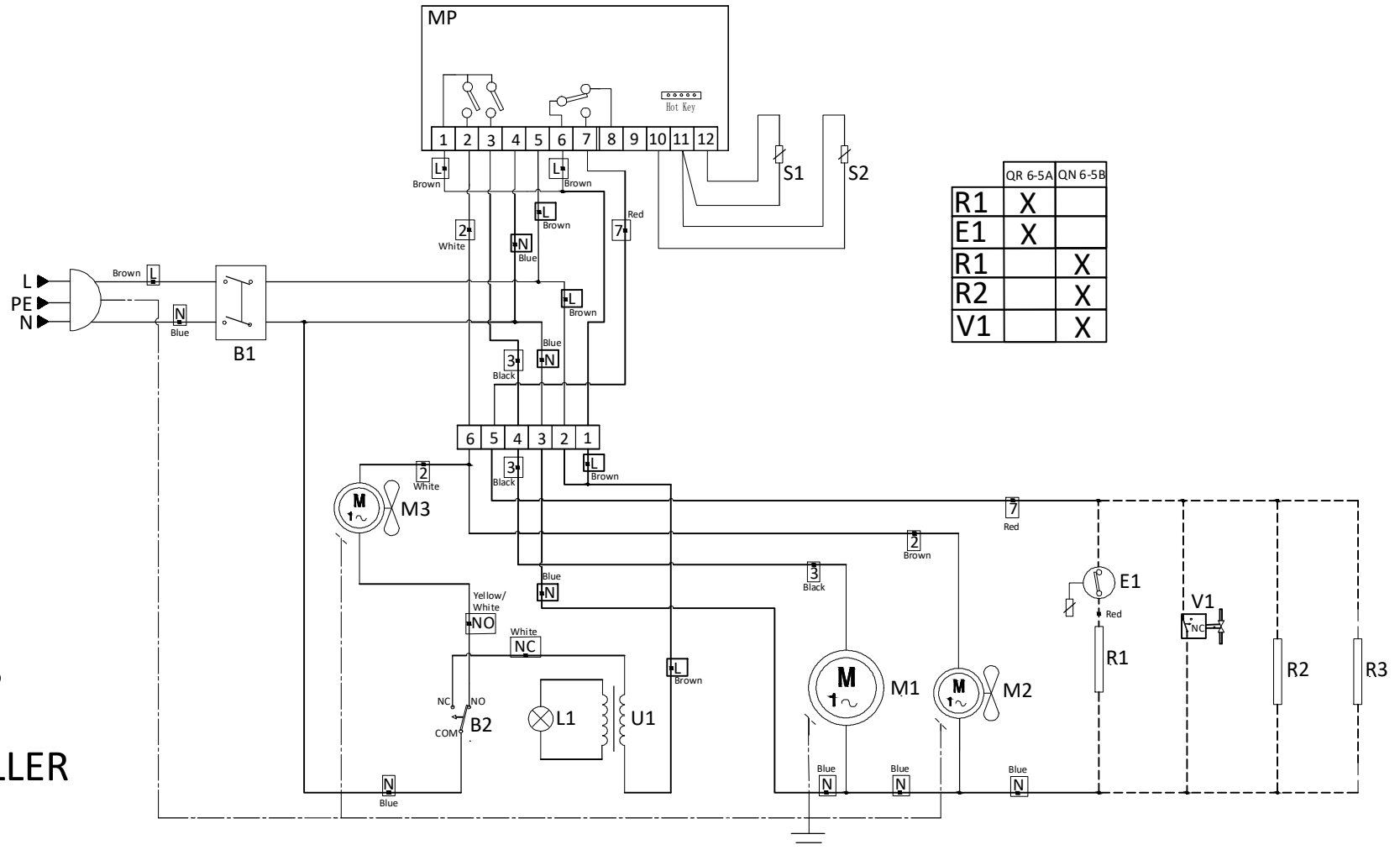
LEGENDE

- B1: COMMUTATEUR PRINCIPAL
- B2: MINIRUPTEUR PORTE
- M1: COMPRESSEUR
- M2: VENTILATEUR CONDENSEUR
- M3: VENTILATEUR CELLULE
- MP: MICROPROCESSEUR DIGITAL
- V1: VALVE À GAZ CHAUD
- L1: LAMPE
- U1: TRASFORMATUER 230V/24V
- S1: SSONDE DE PIECE
- S2: SSONDE D'EVAPORATEUR
- R1/R2/R3: RESISTENCE DEGIVRAGE

KUEHLSCHRANK MIT DIGITALER
KONTROLLEINRICHTUNG

BESCHREIBUNG

- B1: HAUPTSCHALTER
- B2: TUER-MIKROSCHALTER
- M1: KOMPRESSOR
- M2: VERFLUESSIGERVENTILATOR
- M3: KUEHLRAUM-VENTILATOR
- MP: TEMPERATURREGLER
- V1: HEIßGASVENTIL
- L1: LED BELEUCHTUNG
- U1: TRASFORMATOR 230V/24V
- S1: RAUMSONDE
- S2: VERDAMPFERSONDE
- R1/R2/R3: ABTAUUNG-HEIZSTAB



	QR 6-5A	QN 6-5B
R1	X	
E1	X	
R1		X
R2		X
V1		X

QR 6-5A/QN 6-5B
CABINET SINGLE
SOLID DOOR CHILLER
and FREEZER