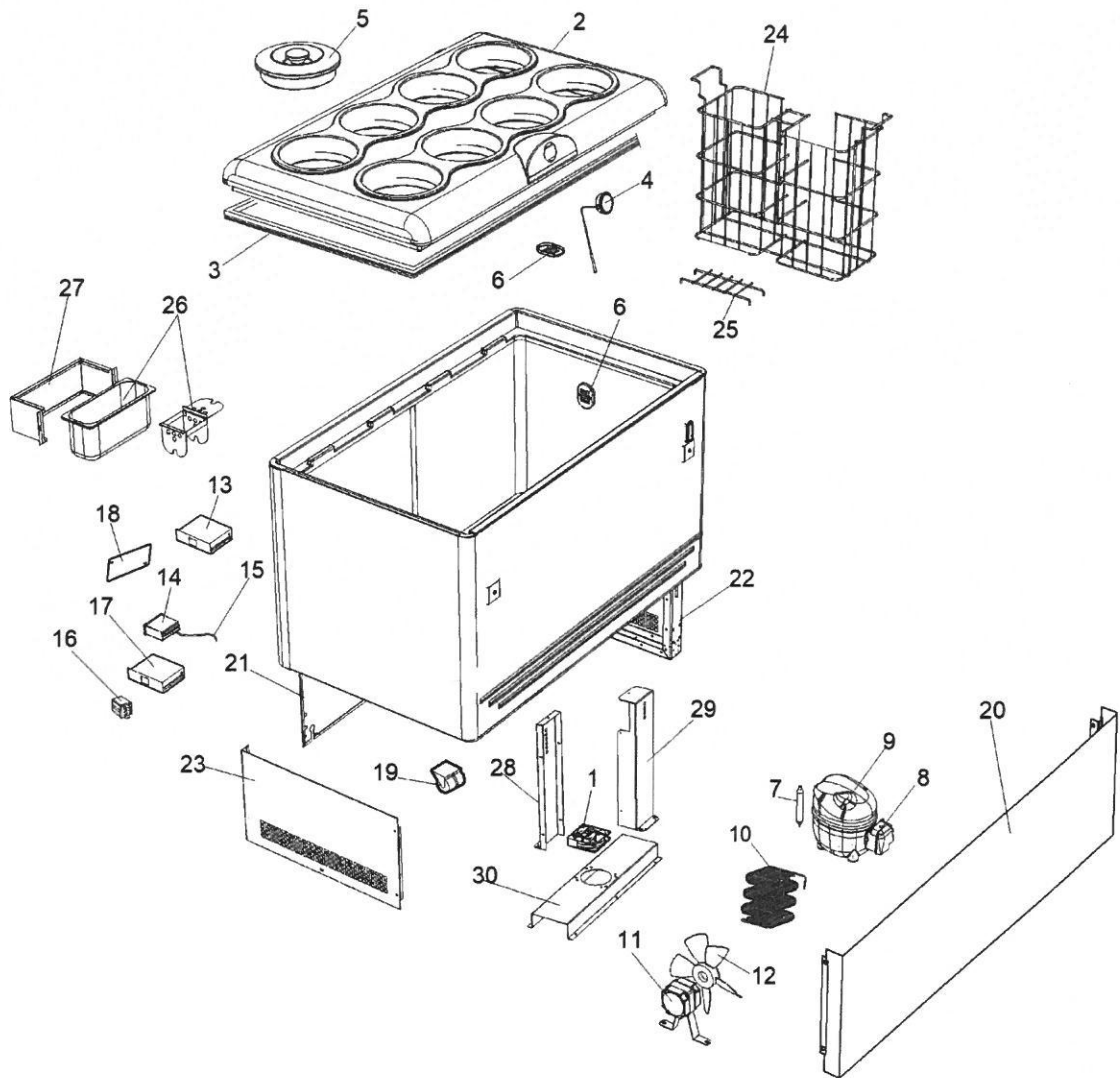


Ersatzteilliste-Explosionszeichnung

Speiseeisvitrine DOLCE VITA 8-LX



E4370S0900 - DOLCE VITA 8 LUXE R290



E4370S0900 - DOLCE VITA 8 LUXE R290

Pos.	Code	Description	Qty
1	4121166	MOTORFAN 92X92X25 CT65 NC	1
2	8421001	COVER DOLCE VITA 8 GREY	1
3	4611070	GASKET 634X1058 DOLCE VITA 8 GREY	1
4	2631008	CIRCULAR THERMOMETER D.57 -40/+40°C	1
5	2611016	ICE CREAM COVER, DOLCE VITA 8/10	1
6	3420499412000	THERMOM.-THERMOSTAT BULB-COVER VS-VT/E WHITE	1
7	3141032	FILTER XH9 ENTRY 5 OUT 2.75 GR20	1
8	1147591	ACC.SET NLY12LAa 220-240V 50HZ CSIR R290	1
9	4106135	COMP.NLY12LAa 220-240V 50HZ CSIR R290	1
10	4111053	WIRE CONDENSER BUNDY 8T 7R	1
11	4121136	MOTOR FAN 16W 220/240V-50/60HZ BRACKET H82	1
12	4122021	FAN 254X27° PRESS ALUMINUM	1
13	1171016	POWER SUPPLY LED 24V REF.APV-16-24	1
14	1188272	THERMOSTAT DIG.XR30CH DIXELL DOLCEVITA R290 ->	1
15	1185028	DIGITAL THERMOST. PROBE L=3000	1
16	1142014	RELAY 66.82.8.230.0303 FINDER ATEX	1
17	1171011	POWER SUPPLY LED 24V REF.MW RS-75-24	1
18	1792838	CONTROL BOARD PROT.DOLCEVITA R290	1
19	5523003	WHEEL 75X2 PLATE NP3 H100 ALFER	1
20	8530355	BASE FRONT.PANEL DOLCE VITA 8/10 304/SB	1
21	8530483	REAR PANEL DOLCE VITA 8/10 R290 304/SB	1
22	8530357	PANEL RIGHT BASE DOLCE VITA 8/10 304/SB	1
23	8530358	PANEL LEFT BASE DOLCE VITA 8/10 304/SB	1
24	0621323	BASKETCYLINDRICAL TUB D.200 DOLCE VITA 8/10 WHITE	1
25	0621391	PARTITION BASKET DOLCE VITA WHITE	1
26	4400300020000	SCOOPWASHER	1
27	8530352	BRACKET SCOOPWASH ESKIMO-SLURP 304/SB	1
28	8530137	REAR PANEL AIR CONVEYOR	1
29	8530136	FRONT PANEL AIR CONVEYOR	1
30	8530135	BASE AIR CONVEYOR	1

Finanzen / Service
28307 Bremen
Thalenhorststraße 15
Tel.+49 421 48557-0
Fax+49 421 488650
bremen@nordcap.de

Vertrieb Ost
12681 Berlin
Wolfener Straße 32/34, Haus K
Tel.+49 30 936684-0
Fax+49 30 936684-44
berlin@nordcap.de

Vertrieb West
40699 Erkrath
Max-Planck-Straße 30
Tel.+49 211 540054-0
Fax+49 211 540054-54
erkrath@nordcap.de

Vertrieb Nord
21079 Hamburg
Großmoorbogen 5
Tel.+49 40 766183-0
Fax+49 40 770799
hamburg@nordcap.de

Vertrieb Süd
55218 Ingelheim
Hermann-Bopp-Straße 4
Tel.+49 6132 7101-0
Fax+49 6132 7101-20
ingelheim@nordcap.de



www.nordcap.de