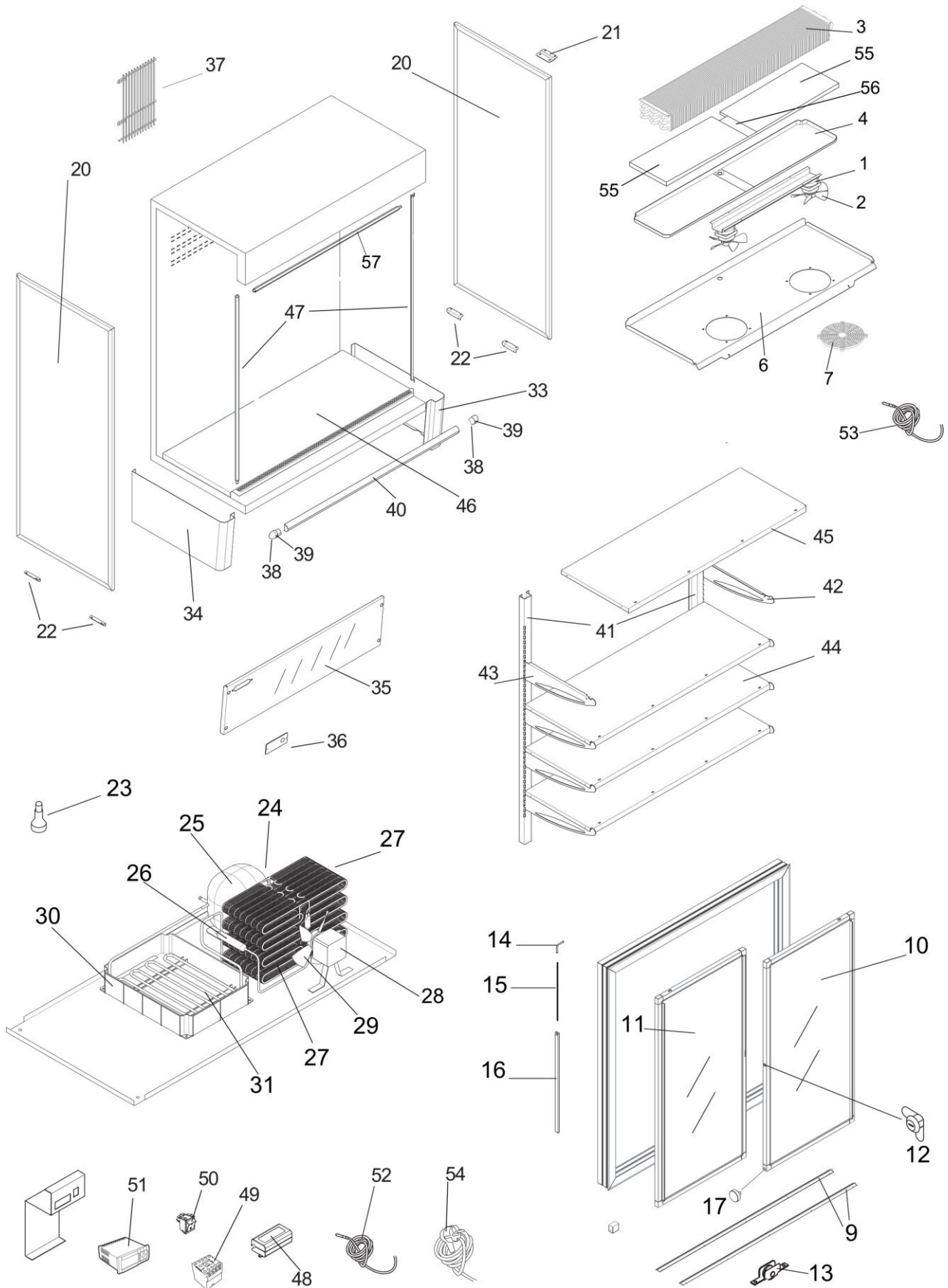


SUPERJOLLY 19 GLASS R507 (COD. E6165R0000)



Upright display cooler with 2 doors

Spare parts drawing



Updated on
24/11/2016

SUPERJOLLY 19 GLASS R507 (COD. E6165R0000)

Upright display cooler with 2 doors

Spare parts list

Ref.	Description	Code
1	MOTOR FAN 5/13 220-240 50/60	4121075
2	FAN 200X23° ALUMINUM	4022029
3	EVAPORATOR S-SUNNY 19	4132143
4	WATER TRAY EVAP.S-SUNNY 19 WHITE	1744781
6	EVAPORATOR COVER S-SUNNY 19 WHITE LPL	8521579
7	GRID FAN PROTECTION WHITE/9003	1721163
9	GUIDE WHEELS DORR S-SUNNY 19 304/2B	8530407
10	RIGHT FRONT DOOR S-SUNNY 19 GREY/9006	8411263
11	LEFT FRONT DOOR S-SUNNY 19 GREY/9006	8411264
12	LOCK FOR DOOR P054	5604004
13	ROLL D.22 JUMBO	5691014
14	DIVERTER CONTERWEIGHT JUMBO P100 COPPER	8922055
15	COUNTERWEIGHT ROPE NYLON	5601045
16	SPRING FOR CLOSING DOOR EXPO 1050/1100 PTS	3301723756000
17	MAGNET RPV22 CAPACITY 5 KG	4651007
20	SIDE GLASS S-SUNNY 10-14-19 GREY/9006	8411254
21	BRACKET HOLDER BACK PROFILE SMALL GREY/9006	8932295
22	BRACKET LOWER GLASS S-SUNNY PAINT GREY/9006	8932291
23	ALU LEVELING FOOT M12	5601100
24	ACCESSORIES SET NT6222GK CSIR 220-240V 50HZ	1147538
25	COMP.EMBRACO NT6222GK CSIR 220-240V 50HZ R404A	4108069
26	FILTER XH9 ENTRY 6.5 OUT 6.5 GR30 UL	3141042
27	WIRE CONDENSER BUNDY 8T 8R KING SIZE	4111056
28	MOTOR FAN 16W 220/240V-50/60HZ BRACKET H82	4121136
29	FAN 254X27° PRESS ALUMINUM	4122021
30	WATER EVAPORATION TRAY SLIM-TRIS ECONOMY	1722158
31	TINNED PIPE COIL S-SUNNY 19 EMBRACO	8922646
33	RIGHT BASE S-SUNNY GREY SILVER LZP	8521448
34	LEFT BASE S-SUNNY GREY SILVER LZP	8521449
35	FRONT.GRID MULTIDECK 19 ME (COFFEE) GREY SILVER LZP	8521643
36	CONTROL BOARD MULTIDECK	1792520
37	REAR GRID MULTIDECK 19	0621277
38	CURVED BUMPER ENDING SKY.180 BLACK/9005	1722201
39	PLUG CURVED BUMPER D.8 BLACK/9005	3410799489002
40	CURVED BUMPER 995110 MM1780 MULTID.19 BLACK/9005	1712650
41	RIGHT/LEFT JAMB S-SUNNY PAINT WHITE/9003	8932287
42	RIGHT BRACKET SHELF S-SUNNY PAINT WHITE 9003	8932288
43	LEFT BRACKET SHELF S-SUNNY PAINT WHITE 9003	8932289
44	SHELF S-SUNNY 19 PAINT WHITE/9003	8932307
45	ADESIVE PRICE HOLDER PROFILE MULTIDECK 19 WHITE	1712624
46	BOTTOM SHELF S-SUNNY 19 WHITE LPL	8521578
47	LED LAMP 12W L1200 24V L600 NO/ORIENT.	1112114
48	POWER SUPPLY LED 24V REF.MW RS-75-24	1171011
49	CONTACT MAKER 100-M09N ALLEN BRADLEY 20A	1142006
50	TWO-POLE SWITCH BLACK	1014073
51	DIGITAL THERMOSTAT XR02CX S-SUNNY	1188237

* Price list without VAT. The prices of the accessories set are to be considered only if they are sold with the relevant compressors

The manufacturer will reserve the right to make any modification without prior notice.

Updated on
24/11/2016

**SUPERJOLLY 19 GLASS R507
(COD. E6165R0000)**

Upright display cooler with 2 doors

Spare parts list

Ref.	Description	Code
52	NTC L=2000 DIGITAL THERMOSTAT PROBE PVC	1185052
53	NTC PROBE DIGITAL THERM.L=3000 BLUE	1185060
54	CABLE SUPPLY 3X1,5X3000 EUROPEAN PLUG TYPE SHUKO	1121014
55	PS INSULAT.R-L EVAP.TRAY S.SUNNY 19	6131489
56	PS INSULAT.CENTR.EVAP.TRAY S-SUNNY 10-14-19	6131491
57	LED LAMP 16W L1600 24V L600 ORIENT.	1112115

* Price list without VAT. The prices of the accessories set are to be considered only if they are sold with the relevant compressors

The manufacturer will reserve the right to make any modification without prior notice.

Updated on
24/11/2016