

SPARE PARTS CATALOGUE

STANDARD AND PREMIUM CABINETS

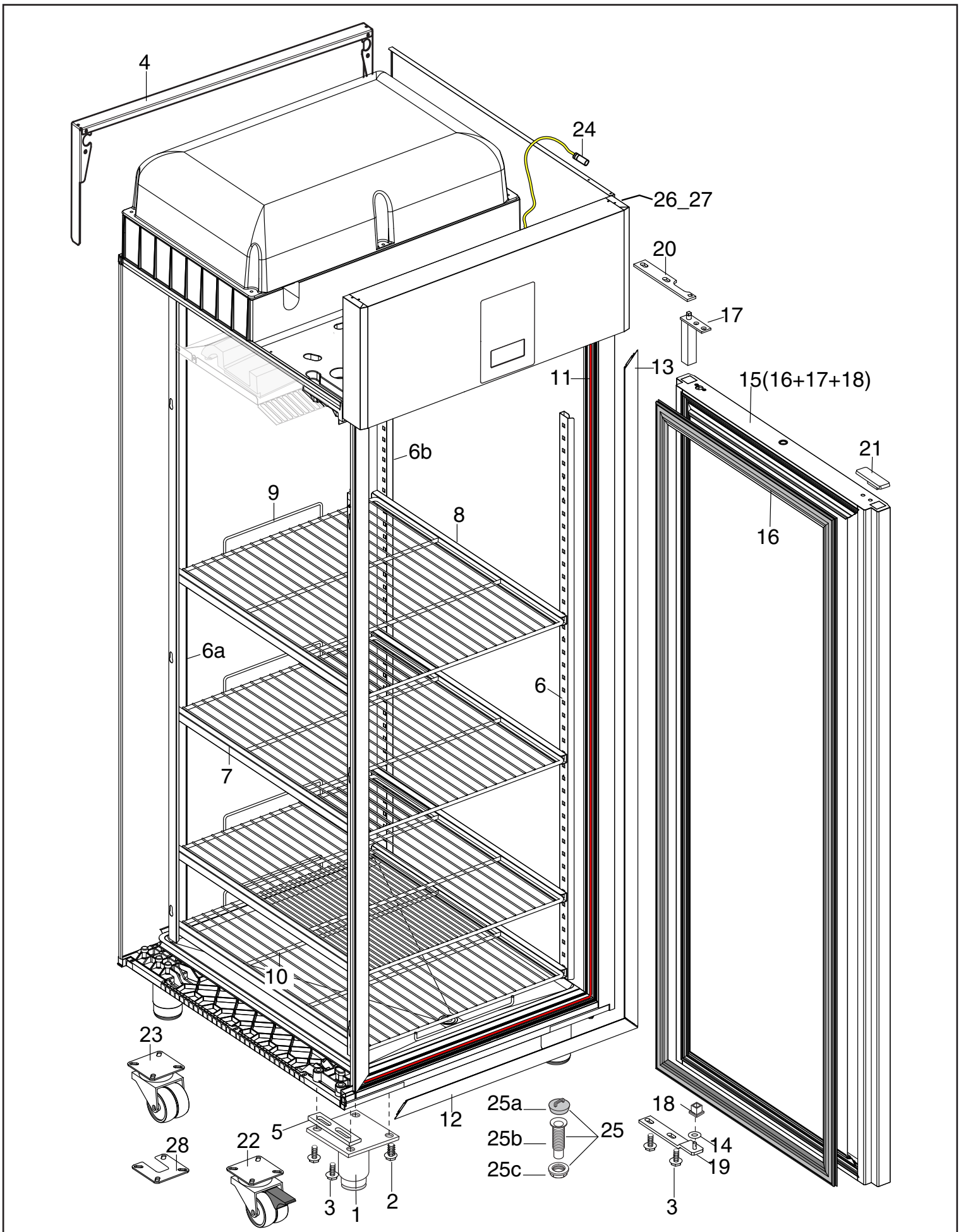
REFRIGERATOR 700L^t

PNC	MODEL	REF.	PAG.	DESCRIPTION	NOTE/ BRAND
111319	NPT71FRHPA	f	3-6-9	Premium 1-DOOR REFRIGERATOR 670L -2/+10°C, DIGITAL A304 - R290	ZAN
111323	ZRX71FRH	b	3-6-8	Standard 1-DOOR REFR 670L -2/+10°C,DIG W/ LIGHT R290	ZAN
725464	ER471FRA	d	3-6-8	Standard 1-DOOR REFRIGERATOR 670L 0+6°C, DIGITAL S/S -R290	EPR
725476	ESP71FRCAA	e	3-6-9	Premium 1-DOOR REFRIGERATOR 670L -2/+10°C, DIGITAL A304 - R290	EPR
725490	ESP71FRCAAG	h	3-6-9	Premium UK 1-DOOR REFRIGERATOR 670L -2/+10°C, DIGITAL A304 - R290	EPR
725492	ERX71FRH	c	3-6-8	Standard 1-DOOR REFR 670L -2/+10°C,DIG W/ LIGHT R290	EPR
729688	ARX71FRHA	a	3-6-8	Standard 1-DOOR REFRIGERATOR 670L -2/+10°C, DIGITAL, A304 - R290	APX
729690	CTE71FRCHPA	g	3-6-9	Premium 1-DOOR REFRIGERATOR 670L -2/+10°C, DIGITAL A304 - R290	APX

INDEX - INDICE

PAG.

CABINET AND DOOR	3
SPARE PARTS LIST - CABINET AND DOOR	4-5
COOLING UNIT	6
SPARE PARTS LIST - COOLING UNIT	7
CONTROL PANEL	8-9
SPARE PARTS LIST - CONTROL PANEL	10



CABINET FULL DOOR

From Ser. Nr.
Up to Ser. Nr.

Ed. 01 2024-02
Ed. 01 2024-02

Page: 3 @

Doc No:595R80700

POS	FACTORY CODE	S.P. CODE	DESCRIPTION	V	W&T	REF.	NOTES	S/N BREAK (YYYY/WK)
1	541R05001	093243	Foot		x			
2	217555204	093245	Screw (used to fix foot)		x			
3	518708601	093246	Screw M8X20 (used to fix bracket)		x			
4	502R91800		Side support (upper)		x			
5	546R27100	093248	Foot spacer		x			
6	501R38201	093249	Front/Back rack A430		x	a; b; c; d	Std models	
6	501R36201	093355	Front rack A304		x	e; f; g; h	Premium	
6a	501R48300	093356	Right back rack		x	e; f; g; h	Premium	
6b	501R36101	093357	Left back rack		x	e; f; g; h	Premium	
7	501R47900	093250	Left support A430		x	a; b; c; d	Std models	
7	501R48000	093358	Left support A304		x	e; f; g; h	Premium	
8	501R48100	093251	Right support A430		x	a; b; c; d	Std models	
8	501R48200	093359	Right support A304		x	e; f; g; h	Premium	
9	514R10600	093252	Grid 2/1 rilsan		x			
9	514702003	081883	Grid 2/1 aisi 304		x	g		
10	514R12200	093253	Bottom grid rilsan		x			
10	514R17500	094231	Bottom grid aisi 304		x	g		
11	617R13300	094842	Heating cable frame 8.9 W		x	e; f; g; h	Premium	
12	832R09001	093254	Orizzontal frame		x			
13	832R09101	093255	Vertical frame		x			
14	546R39600	095019	Plastich washer to door bracket		x			
15	835R27008	093289	Door assembly A304 without lock		x	a		
15	835R75700		Door assembly A304 with lock		x	b; c		
15	835R27108	093290	Door assembly A430 without lock		x	d		
15	879R33403		Door assembly A304 without lock with magnet		x	e; f; g; h	Premium	
16	548R08000	094152	Gasket door	x				
17	835704001	082219	Hinge door		x			
18	544700601	081654	Door bush		x			
19	833R35400	094849	Lower stirrup door		x			
20	505723803	082257	Upper stirrup door		x			
21	541R05301	093271	Hole hinge plug		x			
22	835R24900	093575	Wheel with brake		x	h		
23	835R24800	093574	Wheel		x	h		
24	646R10900	093371	Ambient probe	x		e; f; g; h	Premium	
25	832R22400	094985	Discharge pipe water condenser assembly		x	e; f; g; h	Premium	
25a	545733700	085535	Discharge pipe water plug		x	e; f; g; h	Premium	
25b	546R37700	094847	Discharge pipe water condenser		x	e; f; g; h	Premium	
25c	544701400	081797	Locknut		x	e; f; g; h	Premium	
26	509R24601	097272	Control panel only stainless steel A304		x	a		
26	509R26800	09A1LD	Control panel only stainless steel predisposed to light		x	b; c		
26	509R24701	097273	Control panel only stainless steel A304		x	d		
26	509R20503	095169	Control panel only stainless steel predisposed to light		x	e; f; g; h	Premium	
27	883R78904	09A1LL	Module Control panel complete without light A304		x	a		
27	883R78603	09A1LK	Module Control panel complete with light		x	b; c		
27	883R80004	09A1LO	Module Control panel complete without light A430		x	d		

SPARE PARTS LIST - CABINET AND DOOR

* On demand

Bold=last change

From Ser. Nr. Up to Ser. Nr.	Ed. 01 2024-02 Ed. 01 2024-02	Page: 4	Doc No:595R80700
---------------------------------	----------------------------------	----------------	-------------------------

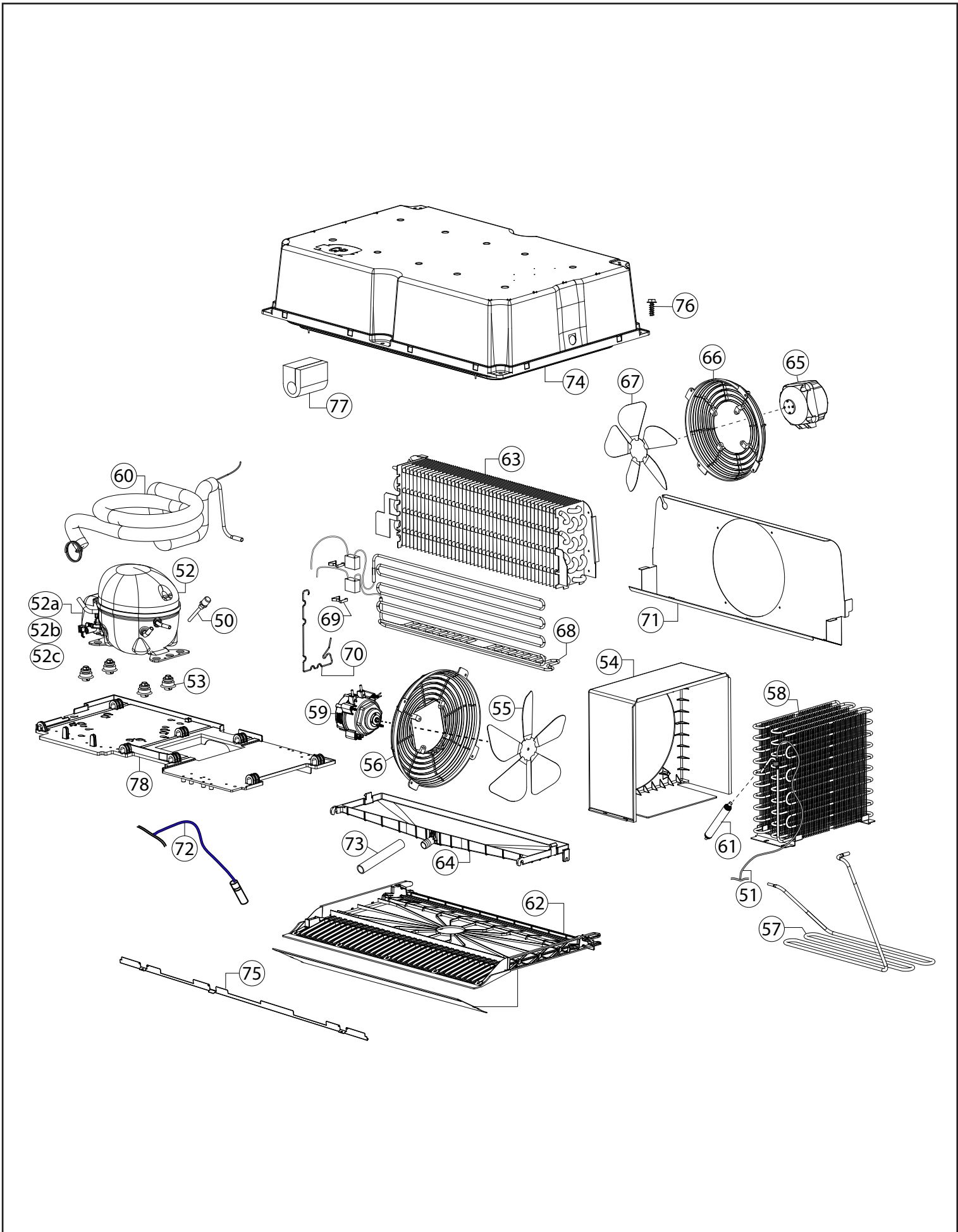
POS	FACTORY CODE	S.P. CODE	DESCRIPTION	V	W&T	REF.	NOTES	S/N BREAK (YYYY/WK)
27	883R94701	09A1LR	Module Control panel complete with light A304		x	e; f; g		
27	883R94800	09A1LS	Module Control panel complete with light A304 UK plug		x	h		
28	504R17401	0TTMIE	Lock plate to whells		x	h		

SPARE PARTS LIST - CABINET AND DOOR

* On demand

Bold=last change

From Ser. Nr. Up to Ser. Nr.	Ed. 01 2024-02 Ed. 01 2024-02	Page: 5	Doc No:595R80700
---------------------------------	----------------------------------	----------------	-------------------------



COOLING UNIT

From Ser. Nr.
Up to Ser. Nr.

Ed. 01 2024-02
Ed. 01 2024-02

Page: 6 @

Doc No:595R80700

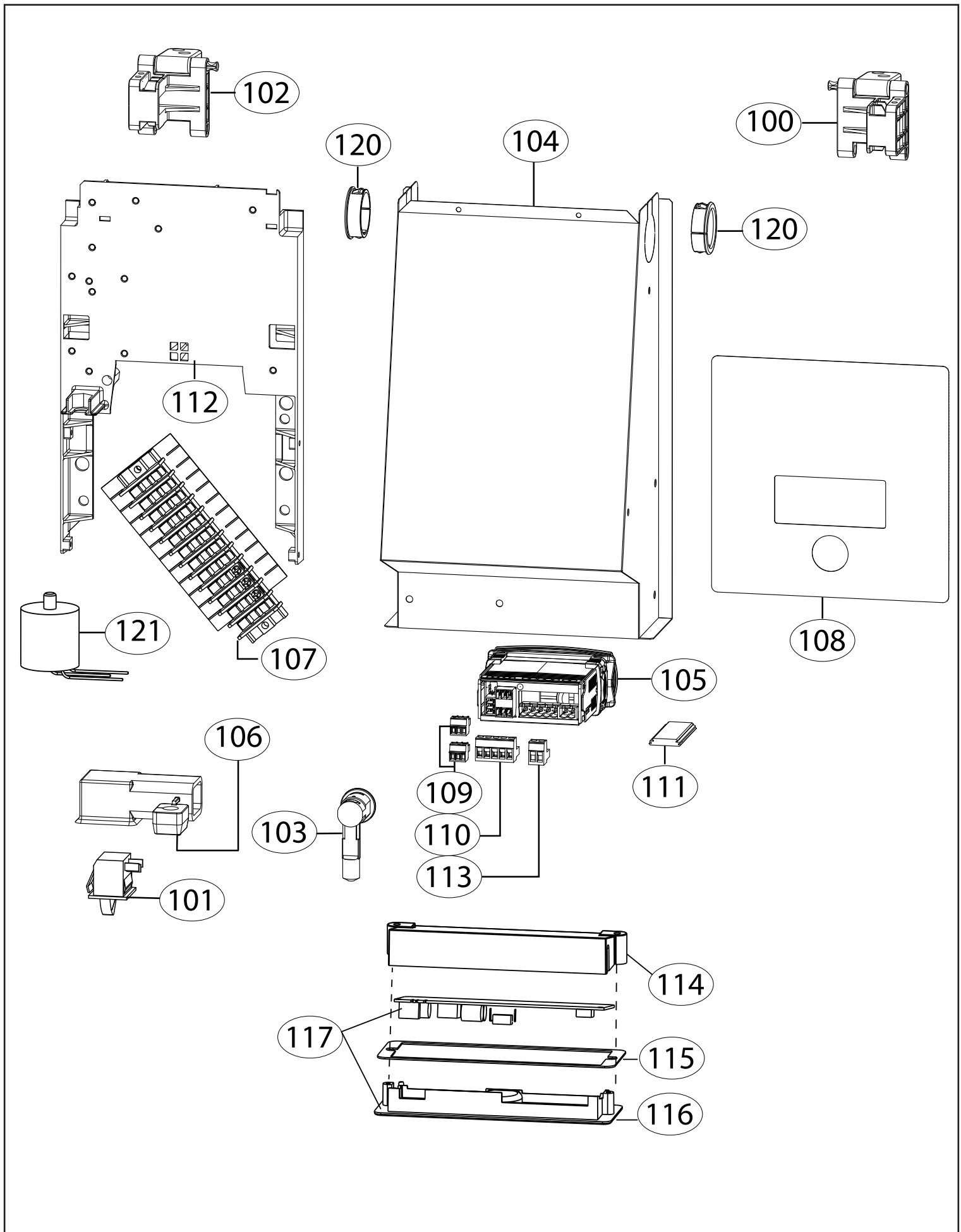
POS	FACTORY CODE	S.P. CODE	DESCRIPTION	V	W&T	REF.	NOTES	S/N BREAK (YYYY/WK)
50	A02021800	0A8171	Charge/discharge valve compressor	x				
51	646R09400	092360	Probe condenser	x		e; f; g; h	Premium	
52	684R12200	095045	Compressor gas R290 EM	x				
52a	*	*	Start relay	x				
52b	*	*	Protector	x				
52c	*	*	Start capacitor	x				
53	518708401	087122	Support for compressor		x			
54	546R24200	093602	Condenser cover	x				
55	511R00800	09A1NF	Fan 230X25	x				
56	546709500	089755	Fan protection		x			
57	515R12701	093259	Evaporation water pipe	x				
58	830R06601	093431	Wiring condenser 5R	x				
59	682R12700	096482	Condenser ventilator/wiring 097055	x				
60	858R06900	096488	Heat exchanger	x				
61	858R00100	099949	Dehydrator filter Gr 15	x				
62	875R37401	097737	Internal carter + stainless steel deflector		x			
63	830R10600	094576	Evaporator	x				
64	546R19201	093469	Evaporator tray		x			
65	682R12600	096231	Evaporator motor fan/wiring 097055	x				
66	546709600	089770	Fan protection grid		x			
67	511R01200	093783	Fan	x				
68	617R13400	094843	Heating element with thermostat 200W		x			
69	514R11600	093487	Thermostat spring		x			
70	514R11102	093508	Spring heating element		x			
71	501R43902	093370	Evaporator conveyor 1 hole		x			
72	646R06700	092173	Cell probe	x				
73	544R03200		Pipe drainer		x			
74	881R32401	095200	Evaporator cover + 76 + 77	x				
75	501R72200	094807	Upper front covering AISI 304		x			
76	217555204	093245	Cover screw		x			
77	546R19702	093263	Pipe cover insulation	x				
78	546R26800	094451	Cooling basement carboran		x			

SPARE PARTS LIST - COOLING UNIT

* On demand

Bold=last change

From Ser. Nr. Up to Ser. Nr.	Ed. 01 2024-02 Ed. 01 2024-02	Page: 7	Doc No:595R80700
---------------------------------	----------------------------------	---------	-------------------------



CONTROL PANEL STANDARD CABINETS

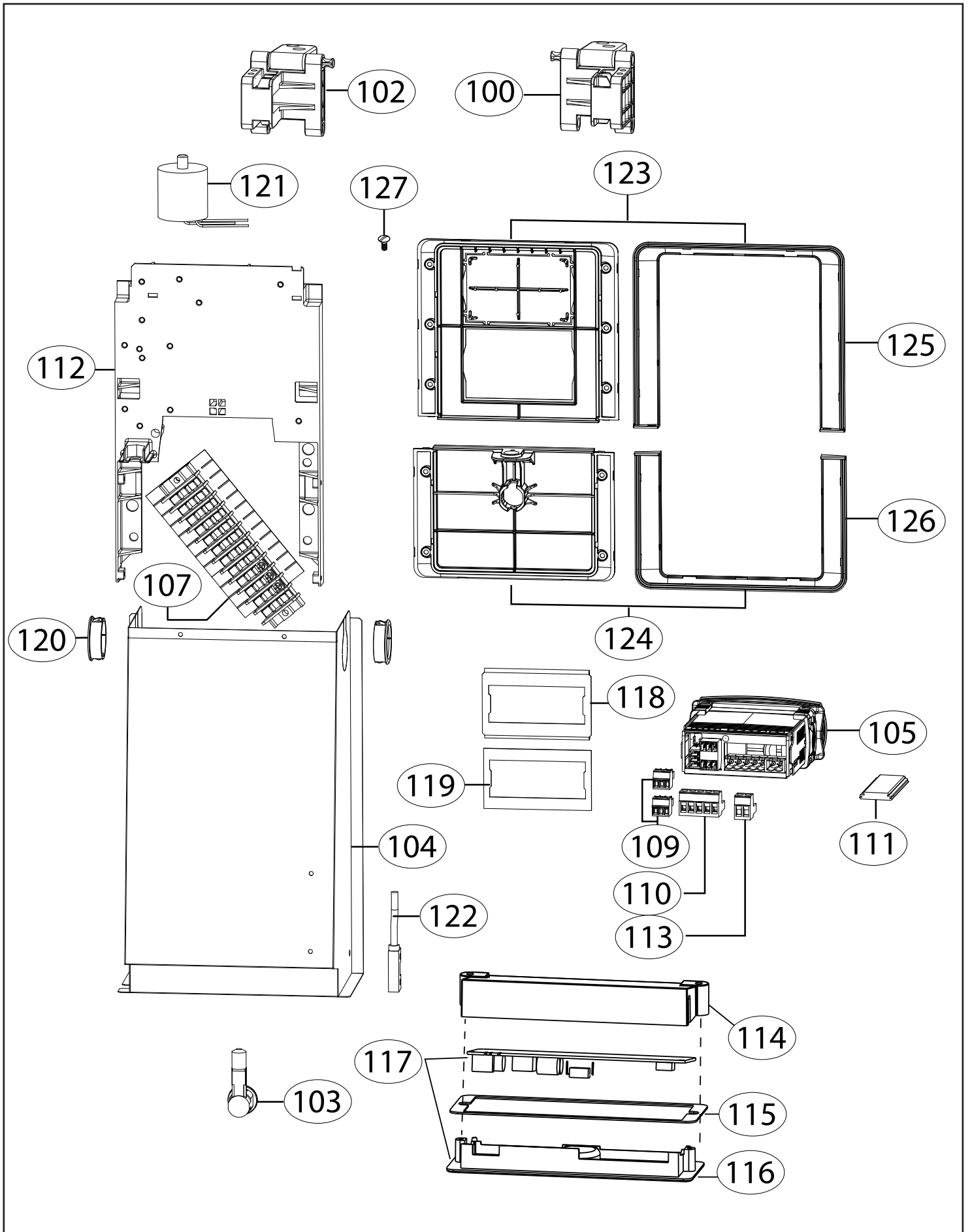
From Ser. Nr.
Up to Ser. Nr.

Ed. 01 2024-02
Ed. 01 2024-02

Page: 8

@

Doc No:595R80700



CONTROL PANEL PREMIUM CABINETS

From Ser. Nr.
Up to Ser. Nr.

Ed. 01 2024-02
Ed. 01 2024-02

Page: 9 @

Doc No:595R80700

POS	FACTORY CODE	S.P. CODE	DESCRIPTION	V	W&T	REF.	NOTES	S/N BREAK (YYYY/WK)
100	832R10200	093610	Hinge for panel (left)		x			
101	640R02100	094035	Switch door	x				
102	832R10100	093609	Hinge for panel (right)		x			
103	833R20900	093345	Lock L=24.5		x	a; d; e; f; g; h		
103	833R21100	093433	Lock L=21		x	b; c		
104	504R39300	097576	Back protection control panel		x	a; b; c; d	Standard	
104	504R24302	097292	Back protection control panel		x	e; f; g; h	Premium	
105	855R18401	097579	Thermoregulator iJF (standard)	x		a; b; c; d	Standard	
105	855R0BH00		Thermoregulator iJF (premium)	x		e; f; g; h	Premium	
106	546R12100	092353	Door switch protection	x				
107	639R09900	093528	Clamp PG10-10/LOP-XHP-3CC	x				
108	595R75801	097761	Template adesive		x	a	Alpeninox	
108	595R75700	097614	Template adesive		x	b	Zanussi	
108	595R75501	097612	Template adesive		x	c	EPR	
108	598R98304	096577	Template adesive		x	d	EPR	
109	639R04V00	097578	Small connector 3 ways		x			
110	639735900	099741	Connector 5 ways		x			
111	541R05401	093269	Door hinge plug		x			
112	546R43401	097284	Support electrical components		x			
113	639R04400	091682	Connector 2 ways		x			
114	546R19600	093387	Cover led		x	b; c; e; f; g; h		
115	569R05900	093390	Gasket cover led board	x		b; c; e; f; g; h		
116	546R19501	093386	Support led board predisposed for lock	x		b; c; e; f; g; h		
117	855R0A000	09A1LJ	Support led board predisposed for lock + led board	x		b; c; e; f; g; h		
118	506R01A00	09A1LC	Support plate thermoregulator iJF		x	e; f; g; h	Premium	
119	569R01A00	09A1LF	Gasket support plate thermoregulator iJF		x	e; f; g; h	Premium	
120	639739000	09A1LH	Plastich bushing (Ø32)		x			
121	694R00502	096636	RFI (radio frequency interference filter)		x	e; f; g; h	Premium	
122	640R00400	097073	Magnetic door sensor	x		e; f; g; h	Premium	
123	855R20300		Assembled template panel ZAN		x	f	Zanussi	
123	855R19500		Assembled template panel EPR		x	e; h	EPR	
123	855R19900		Assembled template panel APX		x	g	Alpeninox	
124	855R20200		Assembled template door ZAN		x	f	Zanussi	
124	855R19400		Assembled template door EPR		x	e; h	EPR	
124	855R19800		Assembled template door APX		x	g	Alpeninox	
125	546R20100		Template frame for panel ZAN/APX		x	f; g	Zanussi/ Alpeninox	
125	546R20000		Template frame for panel EPR		x	e; h	EPR	
126	546R20300		Control door frame ZAN/APX		x	f; g	Zanussi/ Alpeninox	
126	546R20200		Control door frame EPR		x	e; h	EPR	
127	217541085	093491	Screws for template		x	e; f; g; h	Premium	

SPARE PARTS LIST - CONTROL PANEL

* On demand

Bold=last change

From Ser. Nr. Up to Ser. Nr.	Ed. 01 2024-02 Ed. 01 2024-02	Page: 10	Doc No:595R80700
---------------------------------	----------------------------------	----------	-------------------------

Electrolux Professional SpA
Viale Treviso, 15
33170 Pordenone, ITALY
Fax (+39) 0434 380 201
<https://www.electroluxprofessional.com>
<https://webgate.electroluxprofessional.com>