

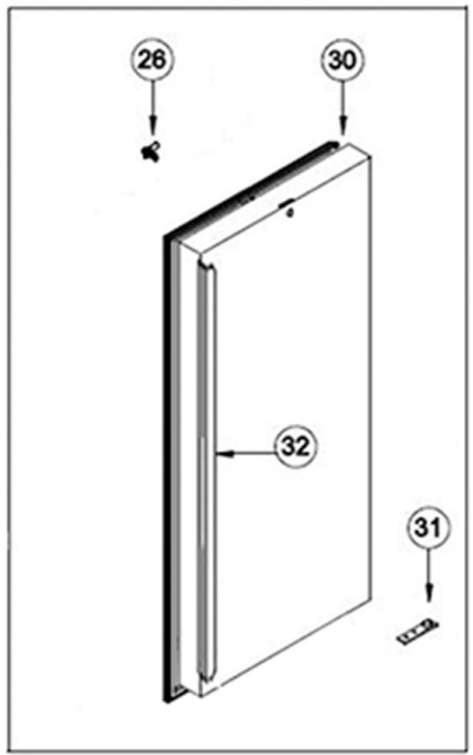
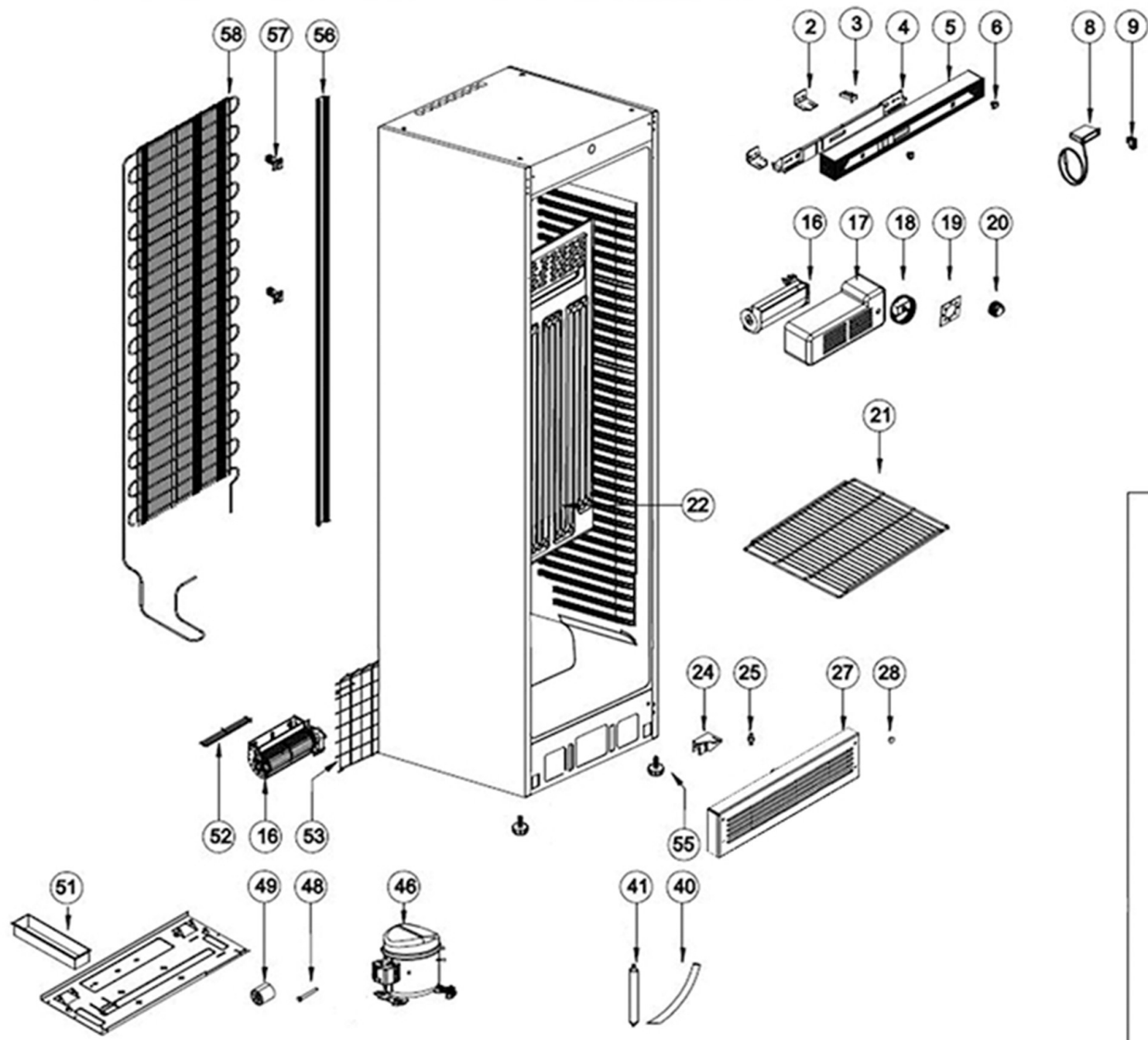
Ersatzteilliste-Explosionszeichnung

Gewerbekühlschrank **KU 380**

[Art. 435003801]



2022-07



16085 / SD1380

Position	ItemNo	Description
01	12961	Top Hinge Base Left/Right
03	12911	Pin For Hinge
	13835	Control Panel SCU Black
04	13782	Cover For Thermometer, SCU
	13813	Control Panel 2015 Black
05	10948	Cover For Control Panel 2015 B
	13731	Cover For Switch, SCU Panel
06	10043	Cover For Screw, SCU Panel
	13824	Control Panel Cover For Screw
08	13790	Thermometer Analog Black 1.2M
09	13644	Green Control Lamp
	13737	Light Switch
10	13644	Green Control Lamp
16	13531	Fan Motor Int/Ext
17	13390	Cover For Internal Fan
18	13998	Thermostat K50B-S16176 R600
19	14048	Thermostat Scale Label White
20	14023	Thermostat Knob FS
21	15151	Standard Shelf 498 x 405 mm
22	14488	Roll Bond Evaporator White
24	12732	Bottom Hinge
25	12863	Hinge Bush
26	10721	Lock With Keys
27	10859	Bottom Panel Hexagonal
28	11243	Cover For Screw
30	12416	Solid Door, Glued Black Gasket
	12419	Solid Door, Glued White Gasket
31	12808	Door Hinge Bracket
32	12665	Handle
	12709	Handle Long Black
40	11442	Drain Pipe
41	15721	Filter Drier 20 G
46	11727	Compressor HMK12AA R600
48	14614	Pin For Big Roller
49	14608	Big Roller
51	11470	Drip Tray
52	11123	Grill Cover For Fan Motor
53	11121	Grill Cover For Comp. Compart.
55	14570	Adjustable Screw Foot
56	13632	Cover For Wiring
57	14199	Holder For Condenser 2015
58	14079	Condenser

2022-07-06

Finanzen/Service
28307 Bremen
Thalendorststraße 15
Tel.+49 421 48557-0
Fax+49 421 488650
bremen@nordcap.de

Vertrieb Ost
12681 Berlin
Wolfener Straße 32/34, Haus K
Tel.+49 30 936684-0
Fax+49 30 936684-44
berlin@nordcap.de

Vertrieb West
40699 Erkrath
Max-Planck-Straße 30
Tel.+49 211 540054-0
Fax+49 211 540054-54
erkrath@nordcap.de

Vertrieb Nord
21079 Hamburg
Großmoorbogen 5
Tel.+49 40 766183-0
Fax+49 40 770799
hamburg@nordcap.de

Vertrieb Süd
55218 Ingelheim
Hermann-Bopp-Straße 4
Tel.+49 6132 7101-0
Fax+49 6132 7101-20
ingelheim@nordcap.de



www.nordcap.de