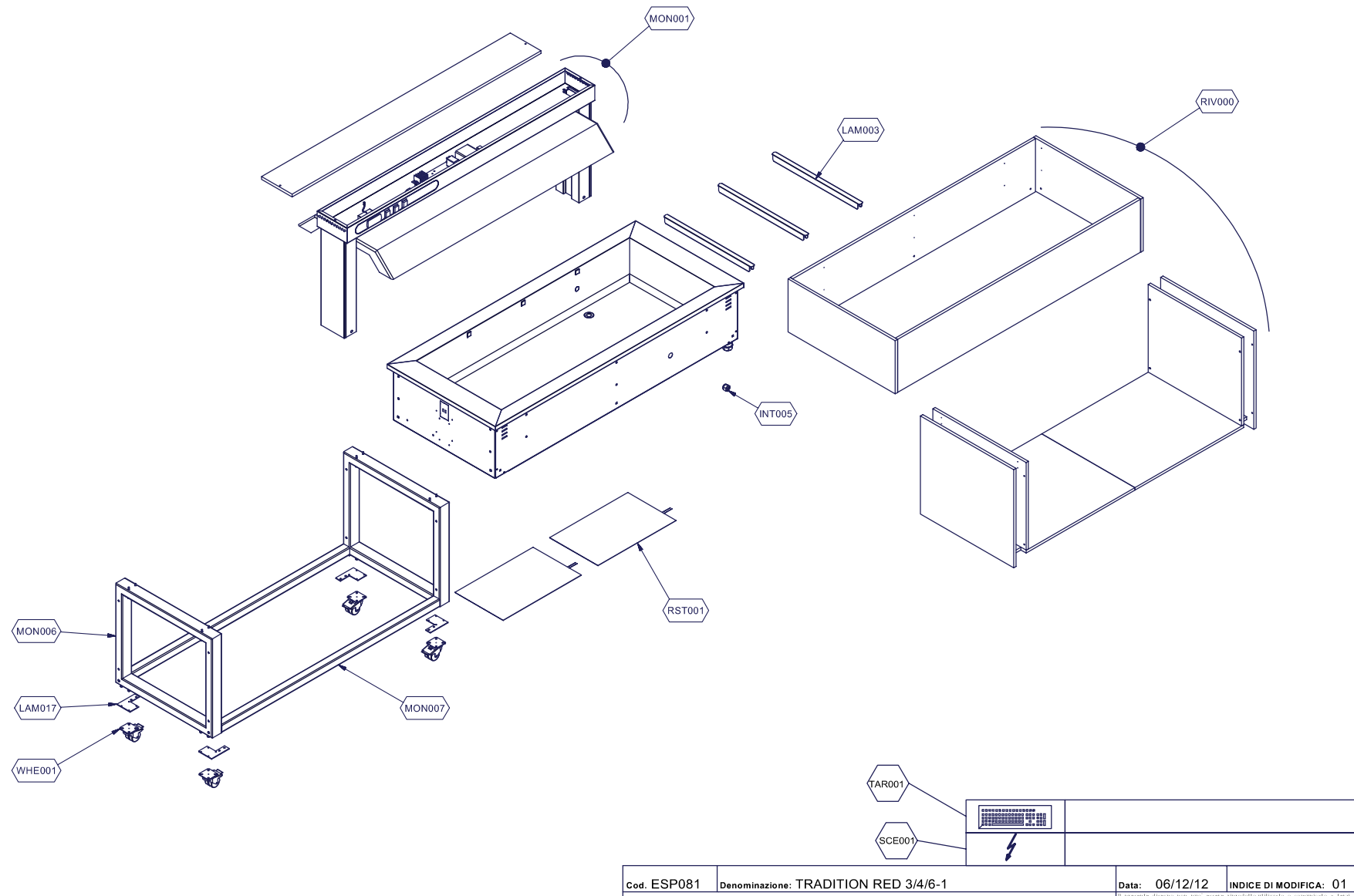
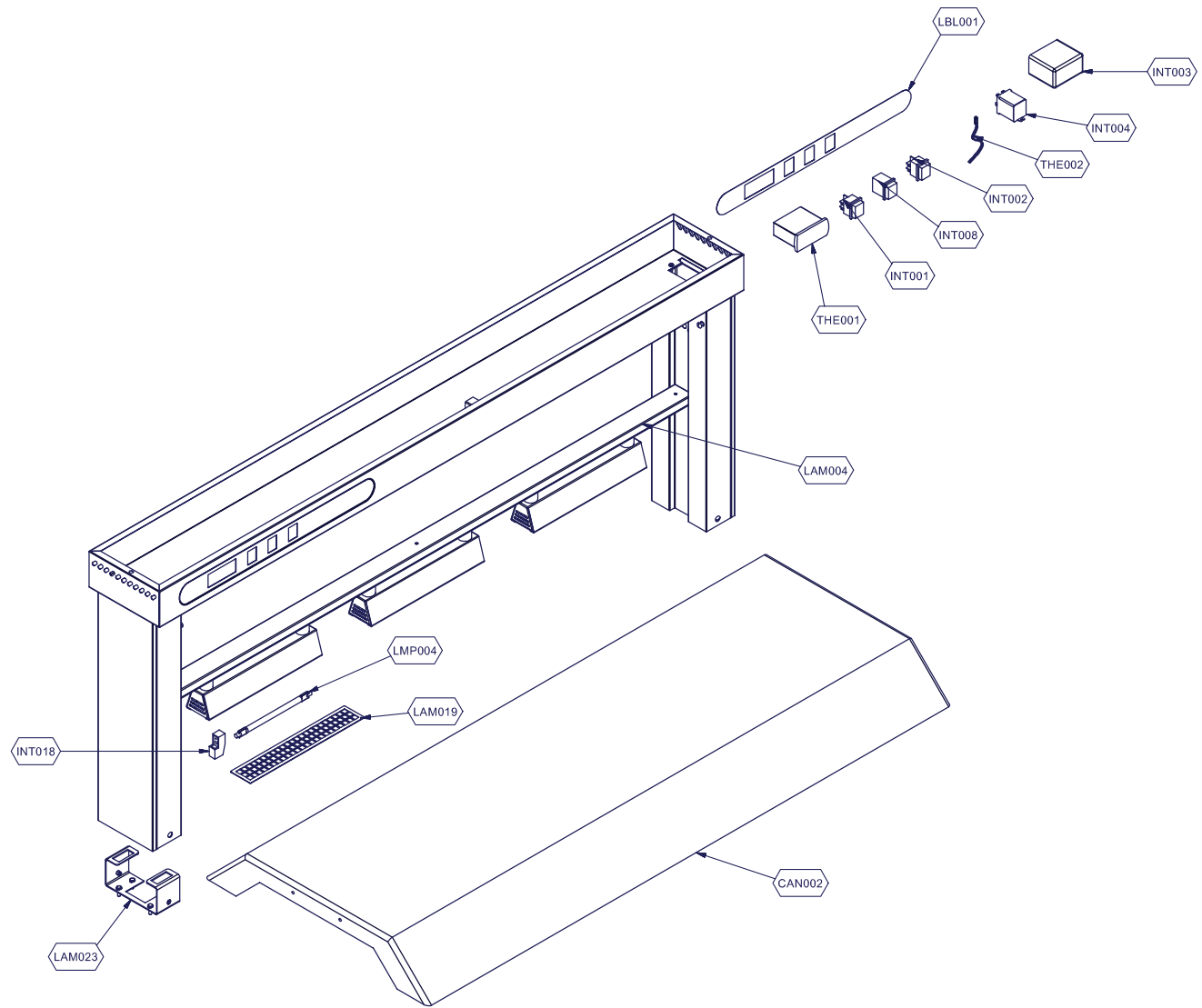
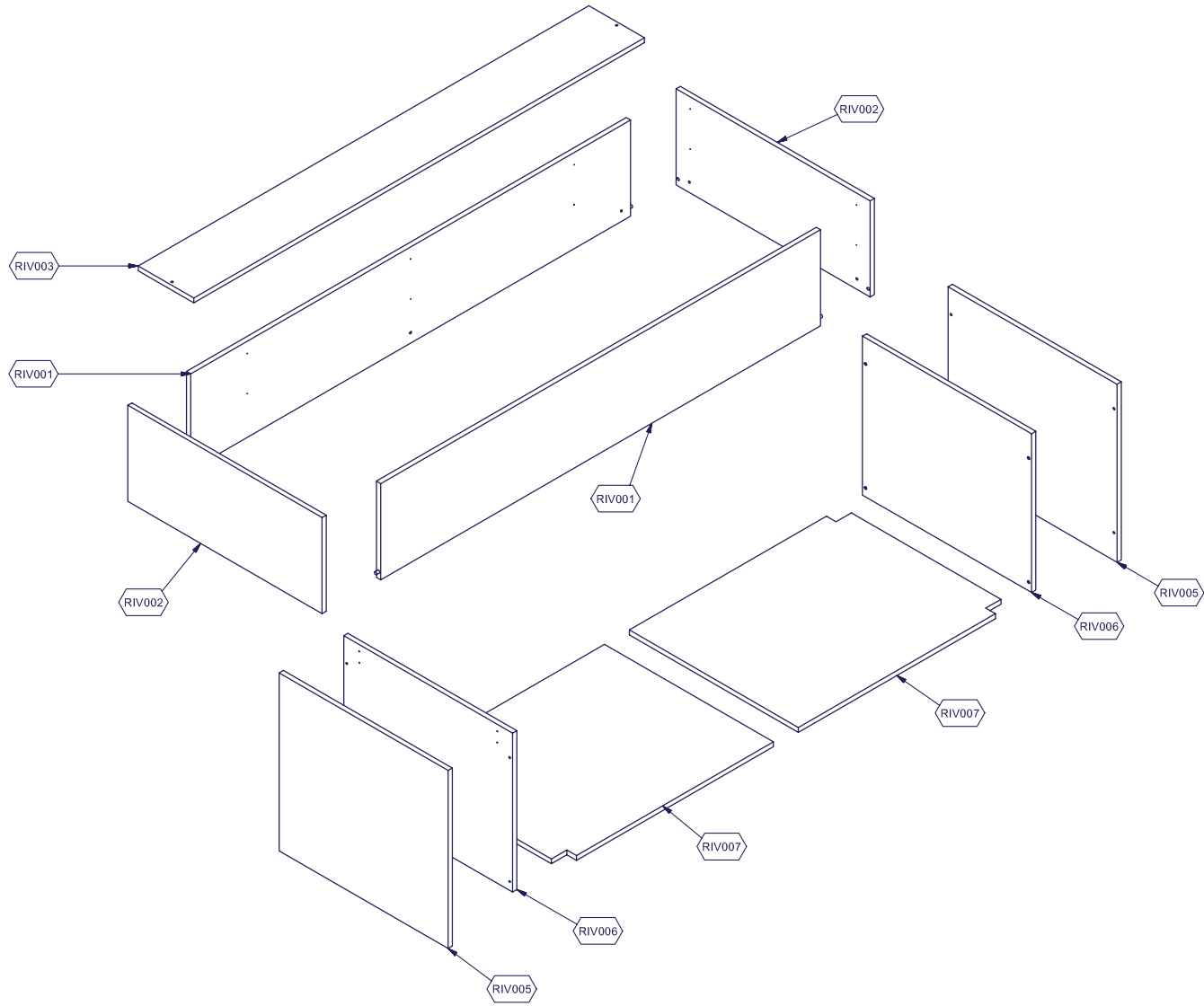


Bain Marie TR-RED 4/1


Art. 434726001







Purch.	Pos.	Code	Q.ty	Description	Spare parts after year	Notes
	000	9BTIS4CEMWA01ESP081-011	0	EXPLODED VIEW 1		
	000	9BTIS4CEMWA01ESP081-012	0	EXPLODED VIEW 2		
	000	9BTIS4CEMWA01ESP081-013	0	EXPLODED VIEW 3		
	CAN002	72539374	1	PLEXIGLASS FRONT COVERING		
	INT001	74742008	1	MAIN ON/OFF SWITCH	2	
	INT002	74742017	1	LIGHT ON/OFF SWITCH	2	
	INT003	74700350	1	LEVEL CONTROL	2	
	INT004	75956088	1	POWER RELAY	2	
	INT005	74700352	1	LEVEL DETECTOR	2	
	INT008	74742044	1	PILOT LIGHT		
	INT018	74741636	1	HOLDERLAMP	2	
	LAM003	72539592	1	PAN SUPPORT		
	LAM004	72539084	1	LED LIGHTING COVERING		
	LAM017	72539674	1	FRAME FIXING KIT		
	LAM019	74770972	1	LAMP PROTECTION		
	LAM023	72539306	1	S/S SIDE SUPPORT		
	LMP004	74751011	1	HALOGEN LAMP	1	
	MON001	73669724	1	SUPERSTRUCTURE		
	MON006	72539680	1	SIDE FRAME		
	MON007	72539694	1	FRONT BOTTOM FRAME		
	RIV001	72546356	1	TOP LONGER SIDE PANEL	126854 - REF.PAN/WINGS4W	
	RIV002	72546306	1	TOP SIDE PANEL	126854 - REF.PAN/WINGS4W	
	RIV003	72546576	1	SUPERSTRUCTURE TOP PANEL		
	RIV005	72546316	1	EXTERNAL BOTTOM SIDE PANEL	126854 - REF.PAN/WINGS4W	
	RIV006	72546326	1	INTERNAL BOTTOM SIDE PANEL	126854 - REF.PAN/WINGS4W	
	RIV007	72546406	1	BOTTOM SHELF	126854 - REF.PAN/WINGS4W	
	RST001	70259090	1	HEATING ELEMENT	2	
	SCE001	SC862	1	ELECTRICAL WIRING	1	
	TAR001	RIF.TAR.B04	1	CONTROLLER PRESETTING SERVICE	1	

Purch.	Pos.	Code	Q.ty	Description	Spare parts after year	Notes
	THE001	74700897	1	UNSETTED ELECTRONIC CONTROLLER	1	
	THE002	74700899	1	PROBE	1	
	WHE001	74708011	1	CASTOR/FEET		