

## Ersatzteilliste-Explosionszeichnung Kühltisch (2 Abteile) CLM 650 2



HORIZONTAL COUNTERS  
TAVOLI ORIZZONTALI

**ECOSTORE CL & BL h650**  
**Left side cooling unit**

| Type reference | Ref | Page    | Description                                     | Brand   |
|----------------|-----|---------|---|---------|
| H6FTN2B        | a   | 3 to 14 | Counter 2 compartments refrigerated             | all     |
| H6FTN3B        | b   | 3 to 14 | Counter 3 compartments refrigerated             | all     |
| H6FTN4B        | c   | 3 to 14 | Counter 4 compartments refrigerated             | all     |
| H6FTN2BHC      | d   | 3 to 14 | Counter 2 compartments refrigerated R290        | all     |
| H6FTN3BHC      | e   | 3 to 14 | Counter 3 compartments refrigerated R290        | all     |
| H6FTN4BHC      | f   | 3 to 14 | Counter 4 compartments refrigerated R290        | all     |
| H6FTP2BHC      | g   | 3 to 16 | Counter 2 compartments refrigerated + show case | Elx-Apx |

**Index**

|  | Page  |
|--|-------|
| Identification Type Ref./Identificazione type Ref. | 2     |
| Body module/corpo armadio                          | 3     |
| Spare part list/Lista ricambi                      | 4     |
| Cooling unit Refrig. /Gruppo Refrigerato           | 5_6   |
| Spare part list/Lista ricambi                      | 7     |
| Top/Ripiano  | 8     |
| Spare part list/Lista ricambi                      | 9     |
| Door and drawers/Porte e cassette BL & CL          | 10_11 |
| Spare part list/Lista ricambi                      | 12    |
| Control panel/Pannello di controllo                | 13    |
| Spare part list/Lista ricambi                      | 14    |
| Show case/Vetrina                                  | 15    |
| Spare part list/Lista ricambi                      | 16    |

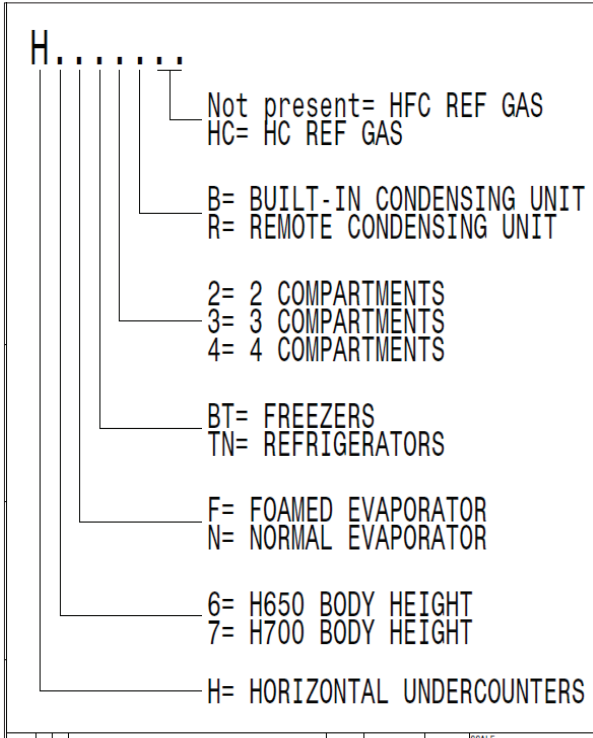
BL= Benefit line  
CL= Concept line

Rev. 6

## How to put in relation the “Type Ref.” reported on the data plate with the “Type reference” reported on the front page of the Spare Part Catalogue:

The “Type Ref.” represents a group of models/brands all with similar technical features, hence possible to be reported under the same scheme in terms of exploded views.

Find below an identification example: **H7NTN2BHC**



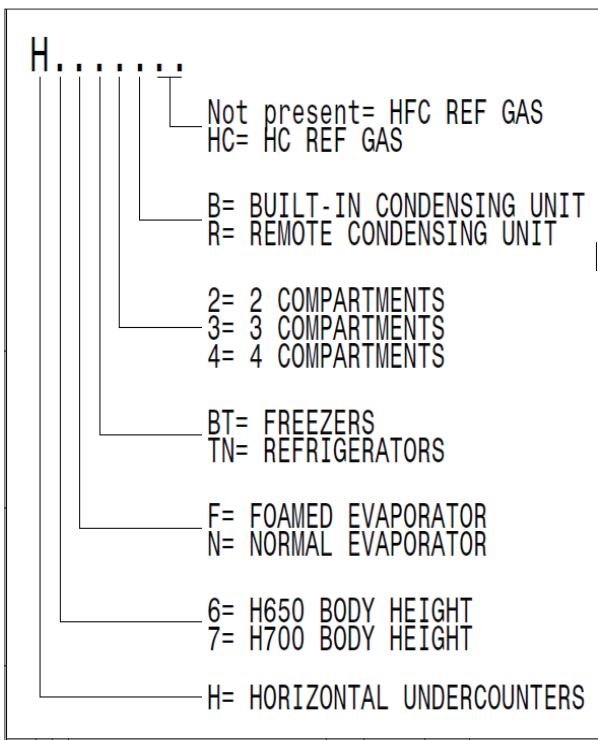
|   |                    |                                 |                      |
|---|--------------------|---------------------------------|----------------------|
| F. Mod. EH2H7AA   | Comm. Mod. EH2H7AA | Type Ref. <b>H7NTN2BHC</b>      | <b>2017</b>          |
| PNC 9VTX 710000 00  | Ser. No. 70810001  | Cyclopentane                    |                      |
| W Tot. 0.25 kW  | Volt 220-240 V     | 1 ~ 50 Hz                       | Total Current 1.9 A  |
| Potenza Sbrinamento / Defrost Power                                       | 0.29 kW            | Classe/Class 5                  | GWP 3 CO2-eq 0 t     |
| Resistenza Evaporazione/Evaporation Heater El.                            | kW                 | Refrigerante / Refrigerant R290 | 0,07 kg.             |
| Illuminazione / Lighting  | W                  | Cap. 240                        | <b>MADE IN ITALY</b> |
| NF nominal Charge   |                    |                                 |                      |
| Rated Pressure  | MPa                |                                 |                      |
| IP21  |                    |                                 |                      |
| Electrolux Professional SpA - Viale Treviso, 15 - 33170 Pordenone (Italy) |                    |                                 |                      |

For the right spare code identification follow the steps:

1. type in the website the PNC reported on the data plate.
2. The website will automatically display this spare part catalogue.
3. The spare part code at this point is referenced through the “Type reference” as from the front page by the relevant “Ref”.

## Come mettere in relazione il “Type Ref.” Riportato sulla targhetta caratteristica con il “Type reference” riportato sul frontespizio del catalogo ricambi:

Il “Type Ref.” Rappresenta un gruppo di modelli/marchi con simili caratteristiche tecniche, ossia possibili da rappresentare con il medesimo schema in termini di vista esplosa.

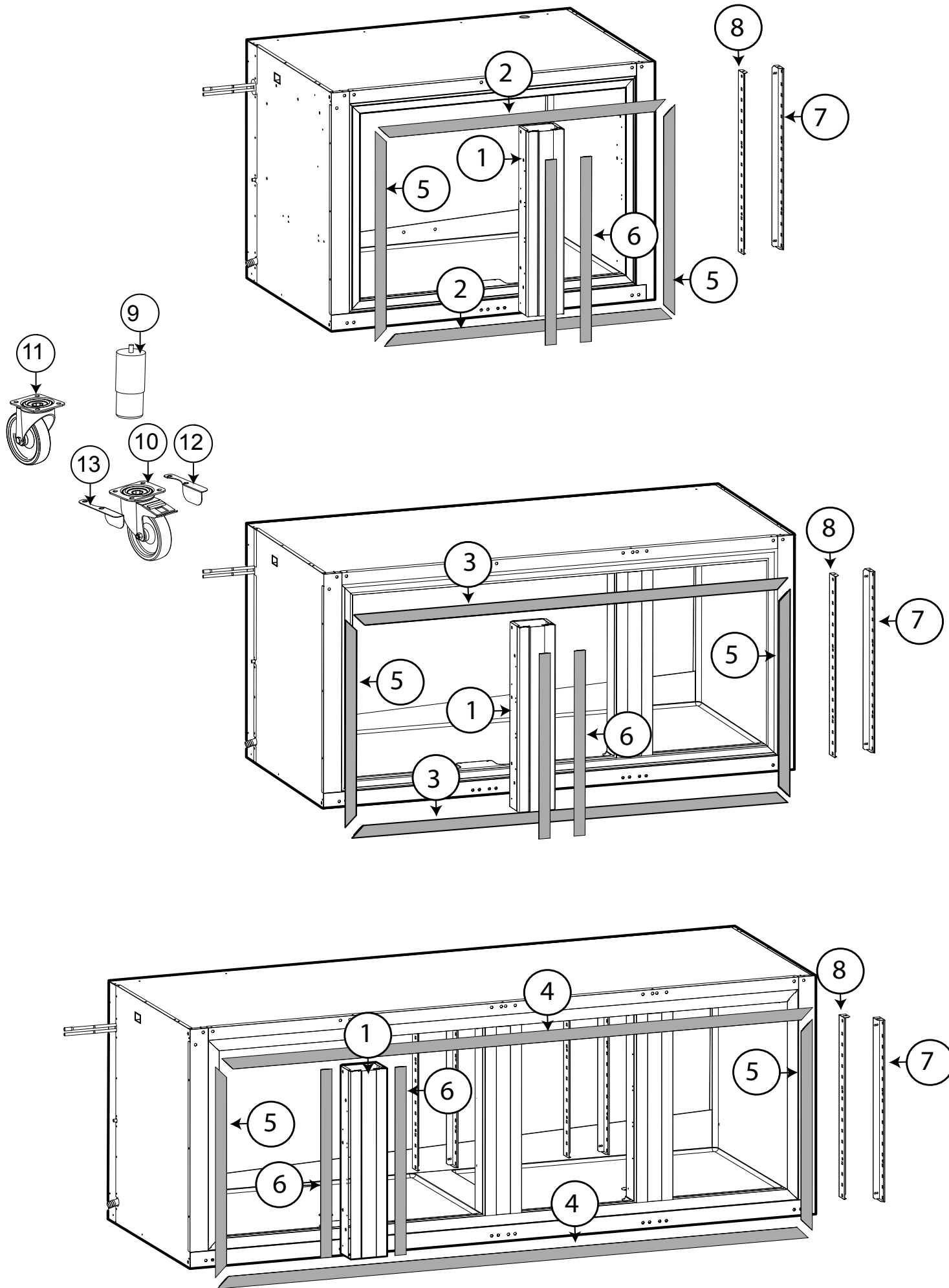


Qui di seguito un esempio di identificazione: **H7NTN2BHC**

|   |                    |                                 |                      |
|---|--------------------|---------------------------------|----------------------|
| F. Mod. EH2H7AA   | Comm. Mod. EH2H7AA | Type Ref. <b>H7NTN2BHC</b>      | <b>2017</b>          |
| PNC 9VTX 710000 00  | Ser. No. 70810001  | Cyclopentane                    |                      |
| W Tot. 0.25 kW  | Volt 220-240 V     | 1 ~ 50 Hz                       | Total Current 1.9 A  |
| Potenza Sbrinamento / Defrost Power                                       | 0.29 kW            | Classe/Class 5                  | GWP 3 CO2-eq 0 t     |
| Resistenza Evaporazione/Evaporation Heater El.                            | kW                 | Refrigerante / Refrigerant R290 | 0,07 kg.             |
| Illuminazione / Lighting  | W                  | Cap. 240                        | <b>MADE IN ITALY</b> |
| NF nominal Charge   |                    |                                 |                      |
| Rated Pressure  | MPa                |                                 |                      |
| IP21  |                    |                                 |                      |
| Electrolux Professional SpA - Viale Treviso, 15 - 33170 Pordenone (Italy) |                    |                                 |                      |

**Per identificare il corretto codice ricambio procedere con:**

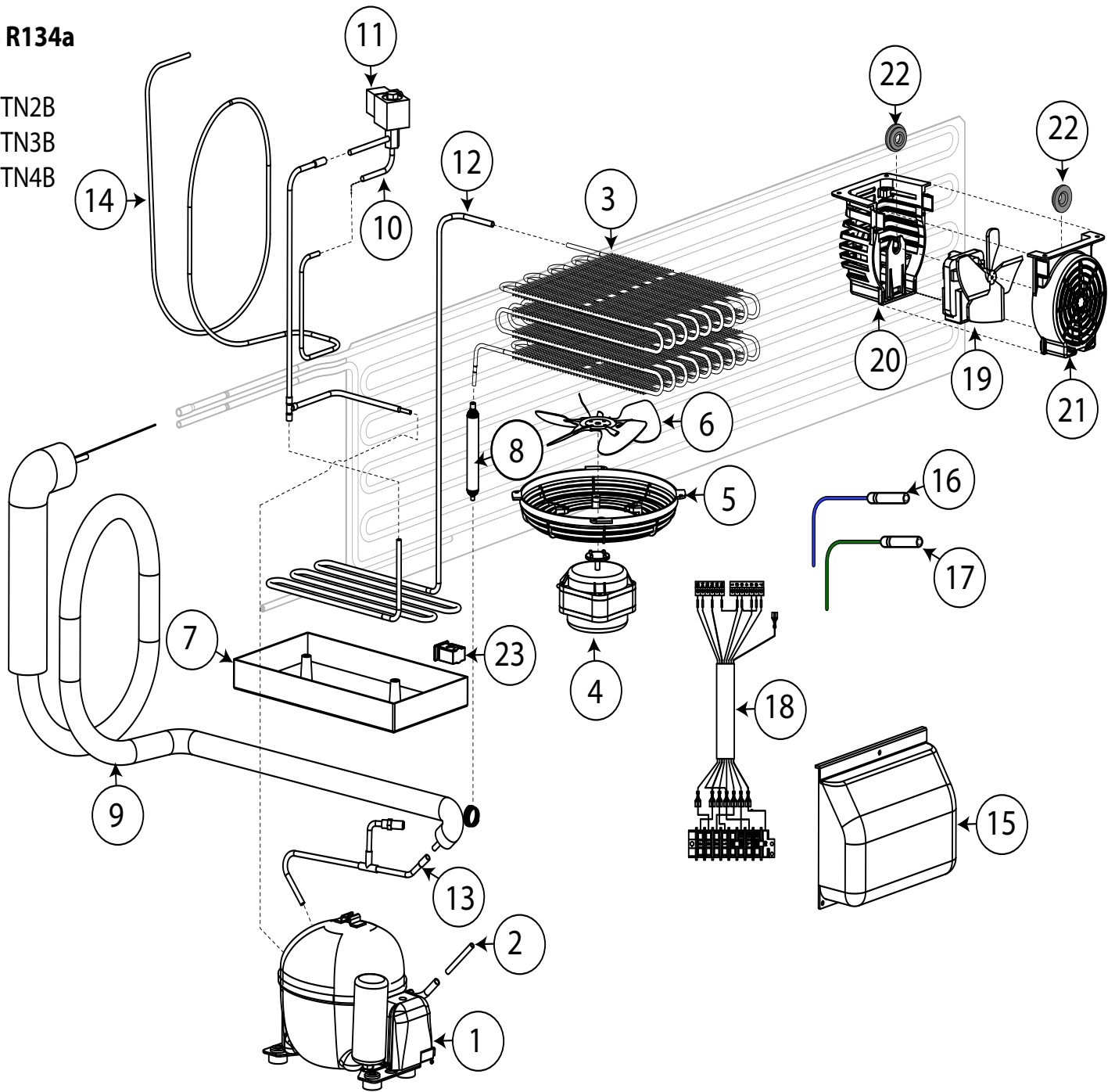
1. Digitare nel website il PNC riportato sulla targhetta caratteristica.
2. Il website mostrerà automaticamente questo catalogo ricambi.
3. A questo punto, il codice ricambio è identificabile attraverso il “Type reference” come indicato nel frontespizio sotto la relativa voce “Ref”.





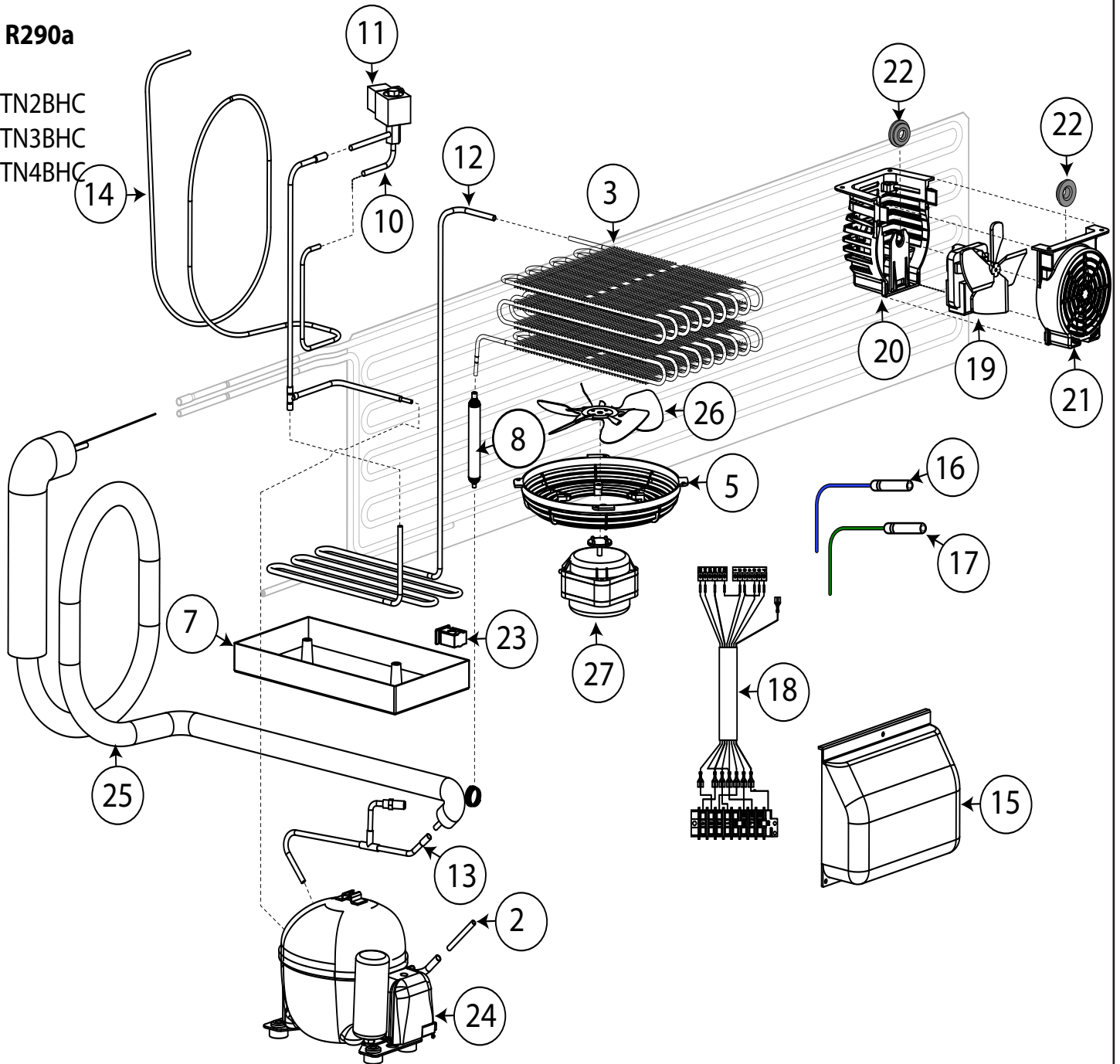
**Gas R134a**

H6FTN2B  
H6FTN3B  
H6FTN4B



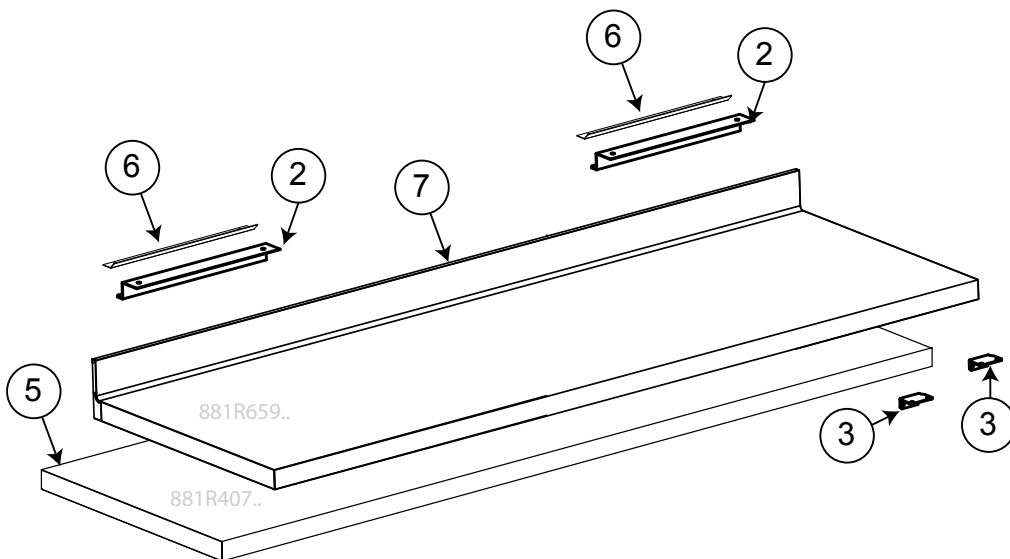
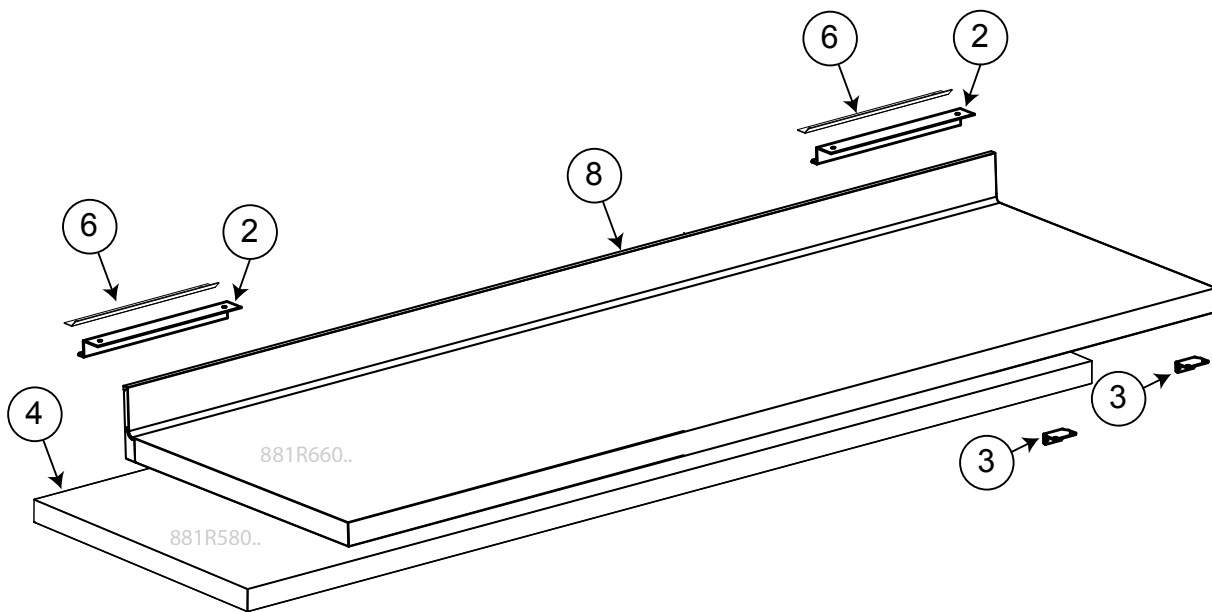
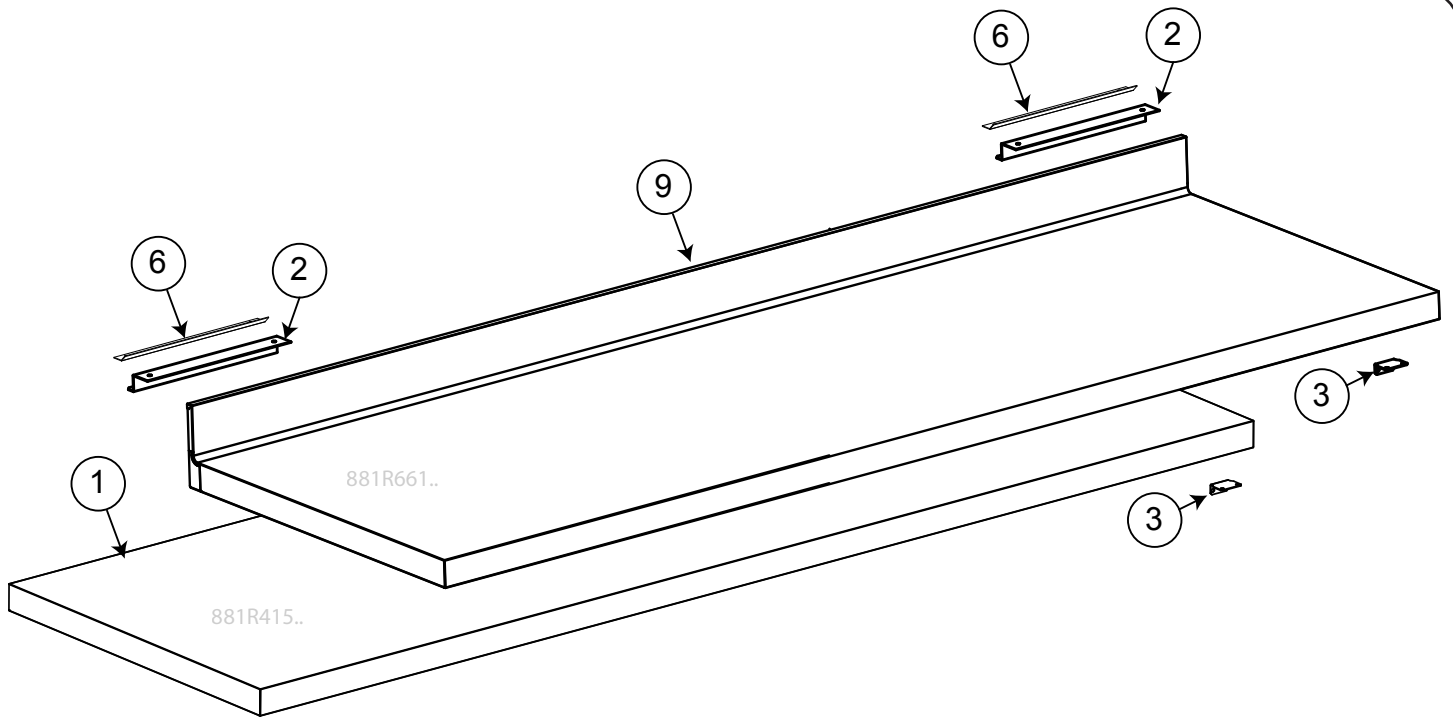
**Gas R290a**

H6FTN2BHC  
H6FTN3BHC  
H6FTN4BHC



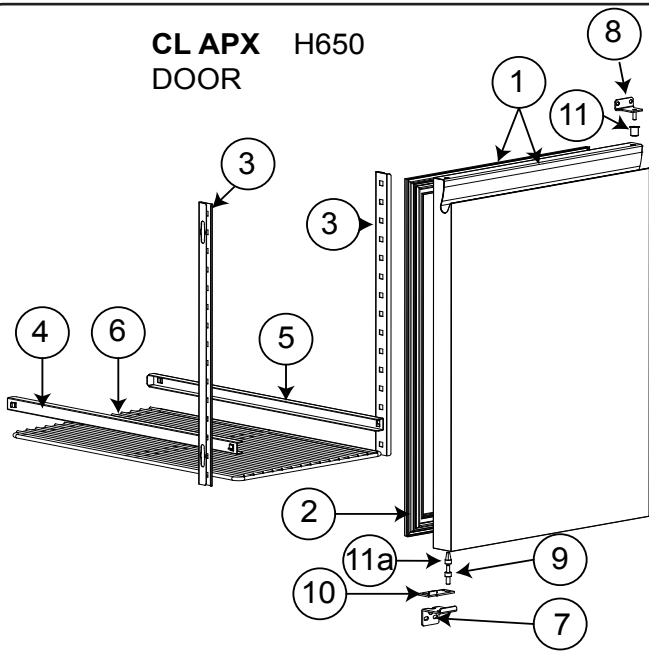
| Pos  | Code   | Factory code | Description                                      | Descrizione                          | Ref/notes                          |
|--|--------|--------------|--|--------------------------------------|------------------------------------|
| <b>Pag. 5_6</b>  |        |              |  |                                      |                                    |
| <b>Cooling unit 2-3-4 comp. R134a/R290a refrigerated</b> |        |              | <b>Gruppo 2-3-4 vani R134a/R290a refrigerato</b> |                                      |                                    |
| 1  | 093207 | 684R05200    | COMPR_EMT6160Z                                   | COMPRESS. EMT6160Z                   | a,b,c (50 hz)                      |
| 1  | 093457 | 684R07200    | COMPR. NEK6160Z 60 CSIR                          | COMPRESS. EMT6160Z 60 hz             | a,b,c (60hz)                       |
| 2  |        | 515R29500    | CONNECTION CLOSING TUBE                          | TUBO DI CHIUSUR .TUBO DI SERVIZIO    |                                    |
| 3  | 095271 | 830R11103    | WIRING CONDENSER                                 | CONDENSATORE FILI                    |                                    |
| 4  | 095625 | 682R09800    | CONDENSER FAN MOTOR                              | VENTILATORE 220-240V 50/60HZ 24W     | a,b (50 hz)                        |
| 4  | 094184 | 682R07700    | CONDENSER FAN MOTOR                              | VENTILATORE 220-240V 50/60 0/10W     | (c 50 hz) and (a,b,c only to 60hz) |
| 5  | 089770 | 546709600    | PROTECTION FAN CONDENSER                         | GRIGLIA SUPP.MOTOVENT.DIAM.200       |                                    |
| 6  | 095626 | 511R02000    | FAN CONDENSER                                    | VENTOLA ASP.Ø172/27°                 | a,b (50 hz)                        |
| 6  | 082874 | 511701900    | FAN CONDENSER                                    | VENTOLA ASP.A200-34 4012201          | (c 50 hz) and (a,b,c only to 60hz) |
| 7  | 084585 | 549727300    | CONDENSER WATER BASIN                            | BACINELLA RACC.CONDENSEA             |                                    |
| 8  | 099949 | 858R00100    | DEHYDRATOR FILTER                                | FILTRO GR.15 2 VIE FORI DIAM.2,5-5,0 |                                    |
| 9  | 095627 | 858R15501    | HEAT EXCHANGER R134a                             | ASS. SCAMBIATORE PIEGATO R134a       | a,b (50 hz)                        |
| 9  | 095677 | 0858R16600   | HEAT EXCHANGER R134a                             | ASS. SCAMBIATORE PIEGATO R134a       | (c 50 hz) and (a,b,c only to 60hz) |
| 10   | 087694 | 646735000    | BODY SOLENOID VALVE EVR                          | CORPO VALVOLA SOLENOIDE EVR          |                                    |
| 11   | 085847 | 0646729100   | COIL WITHOUT CONNECTION                          | BOBINA PER VALVOLA SOLENOIDE         | Up to 2020/26                      |
| 11   | 095063 | 0646R14000   | COIL WITHOUT CONNECTION                          | BOBINA PER VALVOLA SOLENOIDE         | From 2020/27                       |
| 12   | 095844 | 515R32702    | SERPENTINE PIPE                                  | TUBO DA COND A COMPR TAV TN          |                                    |
| 12   |        | 515R38301    | SERPENTINE PIPE                                  | TUBO DA COND A COMPR TAV TN          | a,b,c (60hz)                       |
| 13   | 094744 | 515R29400    | HEAT EXCHANGER EXTENSION TUBE                    | TUBO DI RICARICA                     |                                    |
| 13   |        | 515R38400    | HEAT EXCHANGER EXTENSION TUBE                    | TUBO DI RICARICA                     | a,b,c (60hz)                       |
| 14   | 095845 | 515R32502    | PIPE (HOT GAS) TO EVAPORATOR                     | HOT GAS PIPE                         |                                    |
| 15   | 095275 | 546R36901    | PLASTIC ELECTRIC BOX                             | COPERTURA BOX ELETTRICO              |                                    |
| 16   | 092175 | 646R06900    | BLUE PROBE CELL                                  | SONDA 6X20 BLU 'CELL' L=3000         |                                    |
| 17   | 096125 | 0646R07701   | GREEN PROBE EVAP.                                | SONDA 6X40 VERDE 'DEF' L=3000        |                                    |
| 18   |        | 856R30001    | MAIN TERMINAL BLOCK +WIRING                      | MORSETTIERA + CABLAGGIO              |                                    |
| 19   | 093037 | 682721102    | CELL FAN   | VENTILATORE CELLA                    |                                    |
| 20   |        | 546R39202    | NGC GLUED EVAP - FAN SUPPORT                     | SUPPORTO VENTILATORE CELLA           |                                    |
| 21   |        | 546R39101    | NGC GLUED EVAP - FAN COVER                       | COPERTURA VENTILATORE CELLA          |                                    |
| 22   | 0A8719 | 541706000    | FAN RUBBER                                       | GOMMINI PER VENT                     |                                    |
| 23   | 095996 | 639719400    | STOPPER  | FERMA CAVO                           |                                    |
| 24   | 093425 | 684R05700    | COMPR_EMT6144U 220-50 R290                       | COMPRESS. EMT6144U 220-50 R290       | d,e,g (50 hz)                      |
| 24   | 093426 | 684R05900    | COMPR_EEMT6152U R290                             | COMPRESS. EMT6152U R290              | f (50 hz)                          |
| 25   |        | 858R17300    | HEAT EXCHANGER R290                              | ASS. SCAMBIATORE PIEGATO R290        | d,e,f,g (50 hz)                    |
| 26   | 095626 | 511R02000    | FAN CONDENSER                                    | VENTOLA ASP.Ø172/27°                 | d,e,g (50 hz)                      |
| 26   | 082874 | 511701900    | FAN CONDENSER                                    | VENTOLA ASP.A200-34 4012201          | f (50 hz)                          |
| 27   | 095625 | 682R09800    | CONDENSER FAN MOTOR                              | VENTILATORE 220-240V 50/60HZ 24W     | d,e,g (50 hz)                      |
| 27   | 094184 | 682R07700    | CONDENSER FAN MOTOR                              | VENTILATORE 220-240V 50/60 0/10W     | f (50 hz)                          |
|  |        |              | BL= Benefit line                                 |                                      |                                    |
|  |        |              | CL= Concept line                                 |                                      |                                    |



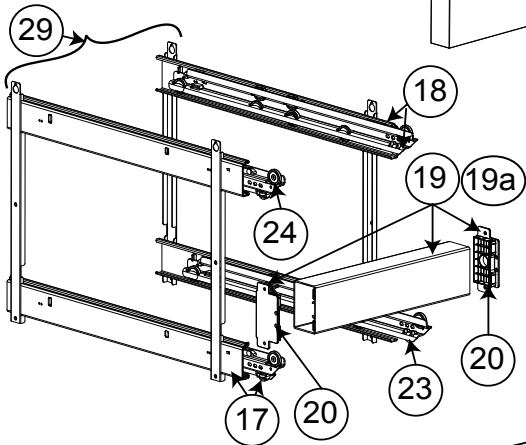
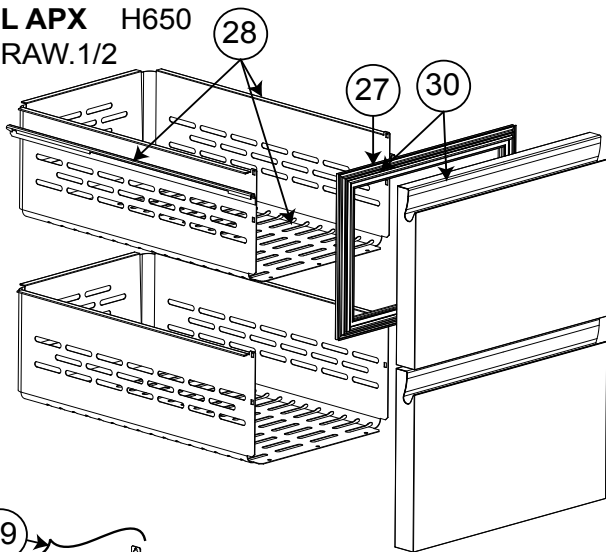


| Pos             | Code   | Factory code | Description                       | Descrizione                   | Ref/notes            |
|-----------------|--------|--------------|-----------------------------------|-------------------------------|----------------------|
| reference pag.8 |        |              |                                   |                               |                      |
|                 |        |              | <b>Worktop</b>                    | <b>Top</b>                    |                      |
| 1               | 095560 | 881R58702    | WORKTOP MODULE 4C H50 "R-L"       | TOP 4 VANI H 50 DX-SX         | c,f (without S.back) |
| 2               |        | 503R99200    | HOOK FOR TOP                      | GANCIO PER RIPIANO            |                      |
| 3               | 095330 | 505R25301    | BRACKET SHELF                     | STAFFA PER RIPIANO            |                      |
| 4               | 095561 | 881R41203    | WORKTOP MODULE 3C H50 "R-L"       | TOP 3 VANI H 50 DX-SX         | b,e (without S.back) |
| 5               | 095563 | 881R40703    | WORKTOP MODULE 2C H50 "R-L"       | TOP 2 VANI H 50 DX-SX         | a,d (without S.back) |
| 6               | 093186 | 505751500    | HOOK FOR TOP ON THE COUNTER       | FISSAGGIO RIPIANO AL TAVOLO   |                      |
| 7               |        | 882R09501    | WORKTOP ASS. WITH S.BACK 2C "R-L" | TOP CON ALZATINA 2 VANI DX-SX | a,d (whit S.back)    |
| 8               |        | 882R09601    | WORKTOP ASSEMBLY 3C S/BACK "R-L"  | TOP CON ALZATINA 3 VANI DX-SX | b,e (whit S.back)    |
| 9               |        | 882R09701    | WORKTOP ASS. WITH S.BACK 4C "R-L" | TOP CON ALZATINA 4 VANI DX-SX | c,f (whit S.back)    |
| 10              |        |              |                                   |                               |                      |
| 11              |        |              |                                   |                               |                      |
| 12              |        |              |                                   |                               |                      |
| 13              |        |              |                                   |                               |                      |
| 14              |        |              |                                   |                               |                      |
| 15              |        |              |                                   |                               |                      |
| 16              |        |              |                                   |                               |                      |
| 17              |        |              |                                   |                               |                      |
| 18              |        |              |                                   |                               |                      |
| 19              |        |              |                                   |                               |                      |
| 20              |        |              |                                   |                               |                      |
|                 |        |              | BL= Benefit line                  |                               |                      |
|                 |        |              | CL= Concept line                  |                               |                      |
|                 |        |              |                                   |                               |                      |
|                 |        |              |                                   |                               |                      |

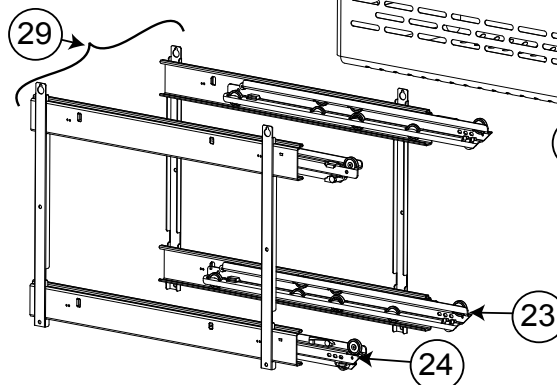
**CL APX H650  
DOOR**



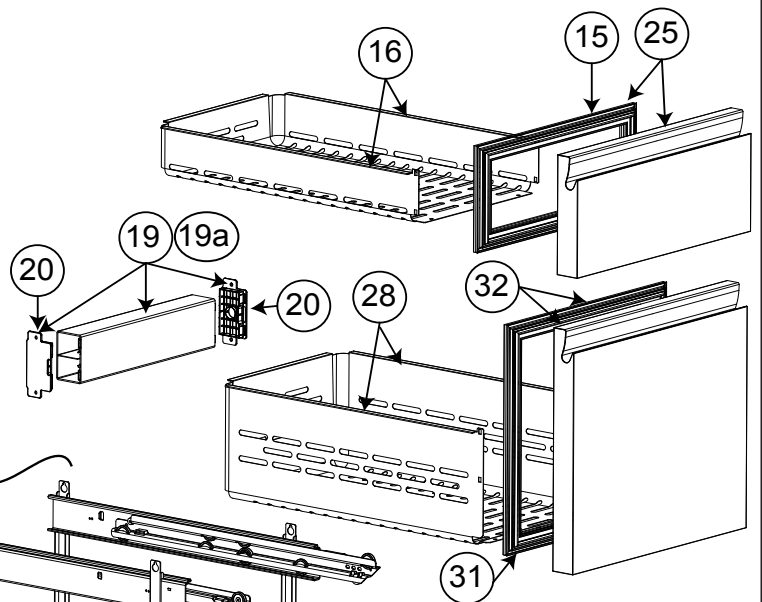
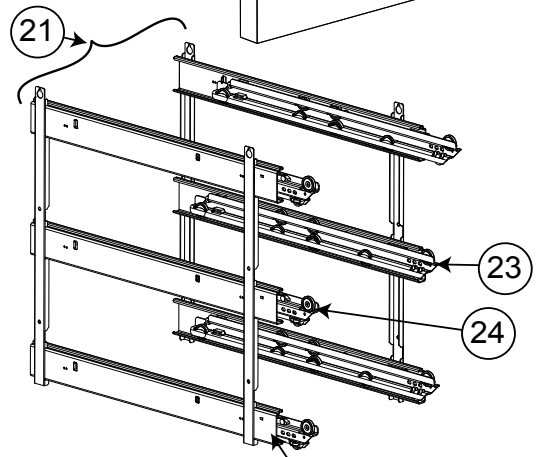
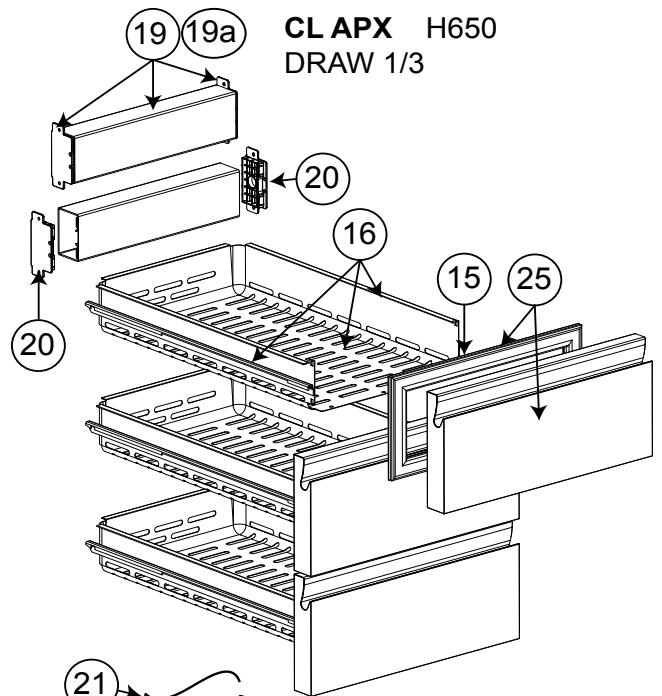
**CL APX H650  
DRAW. 1/2**



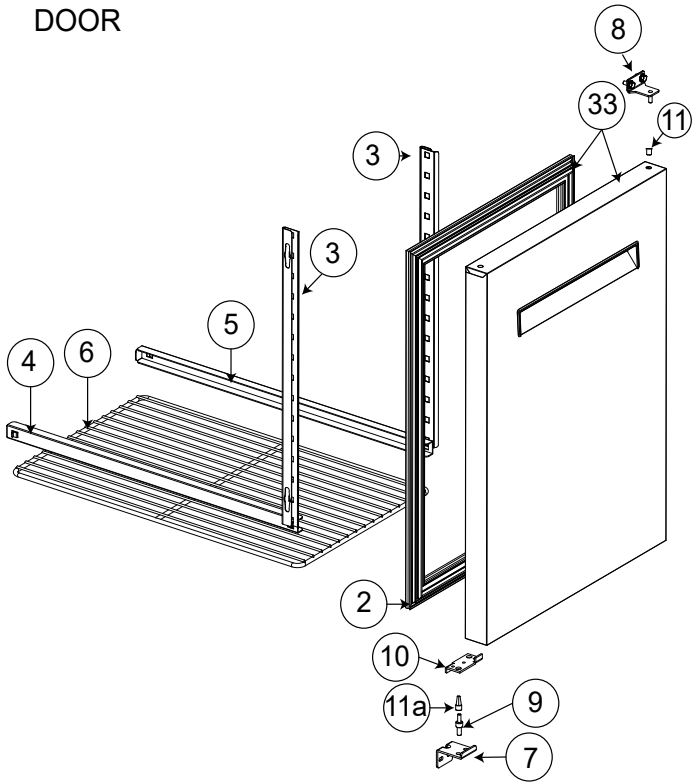
**CL APX H650  
BOTTLE DRAW.**



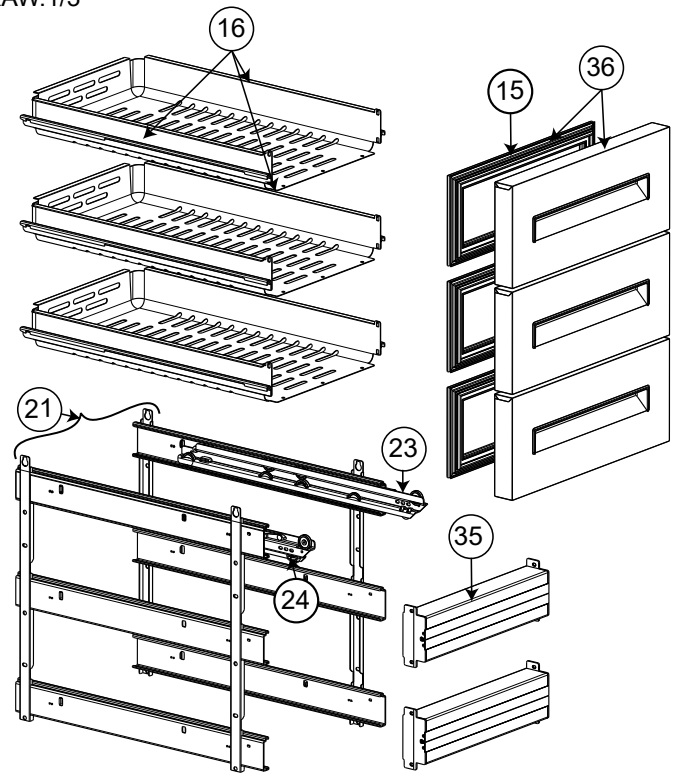
**CL APX H650  
DRAW 1/3**



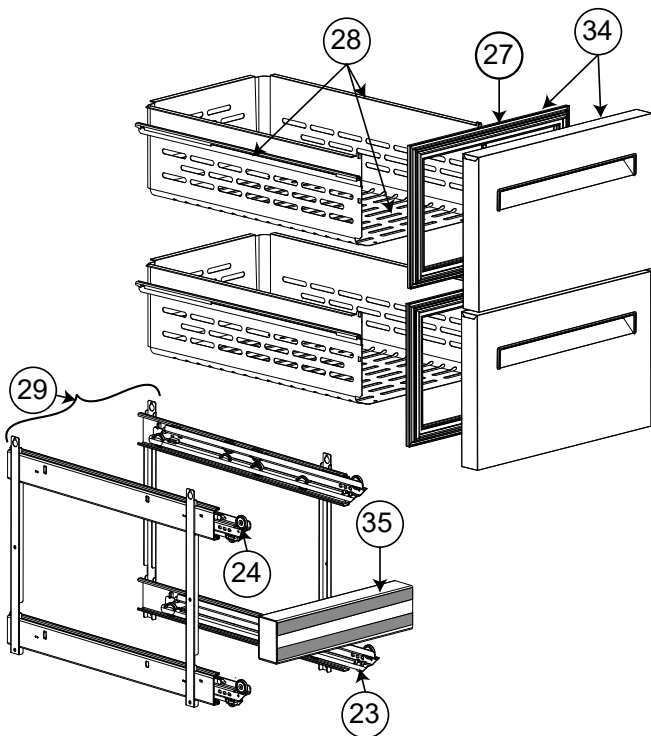
**BL H650  
DOOR**



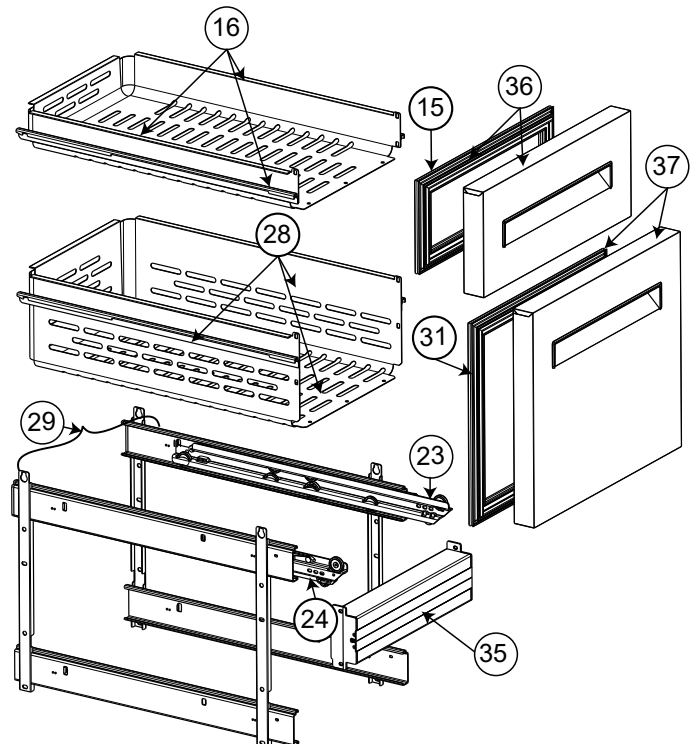
**BLH650  
DRAW.1/3**



**BLH650  
DRAW.1/2**

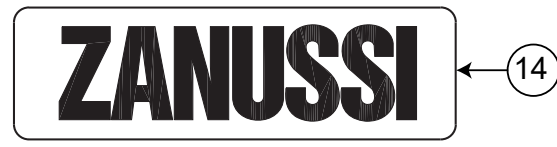
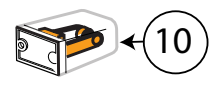
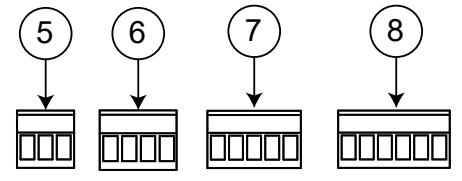
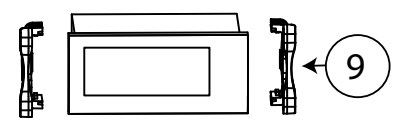
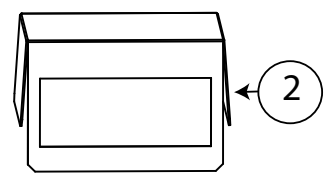
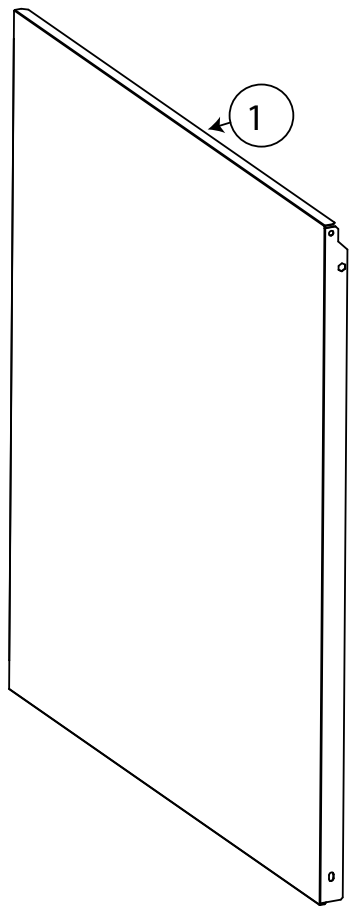
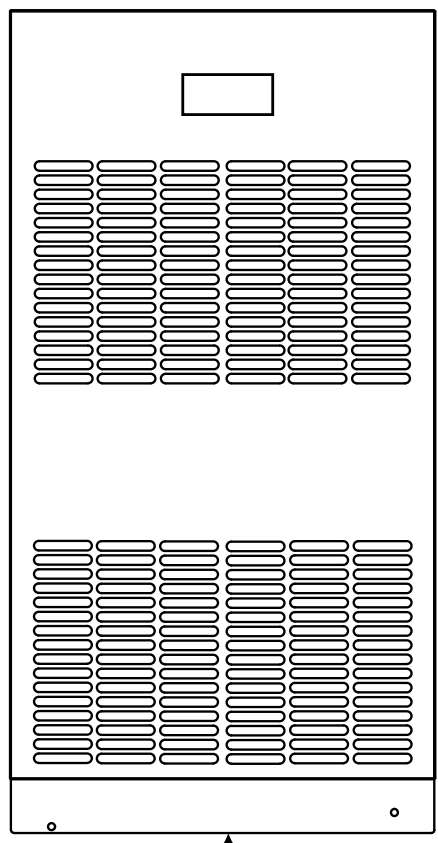


**BL H650  
DRAW.Bottle**

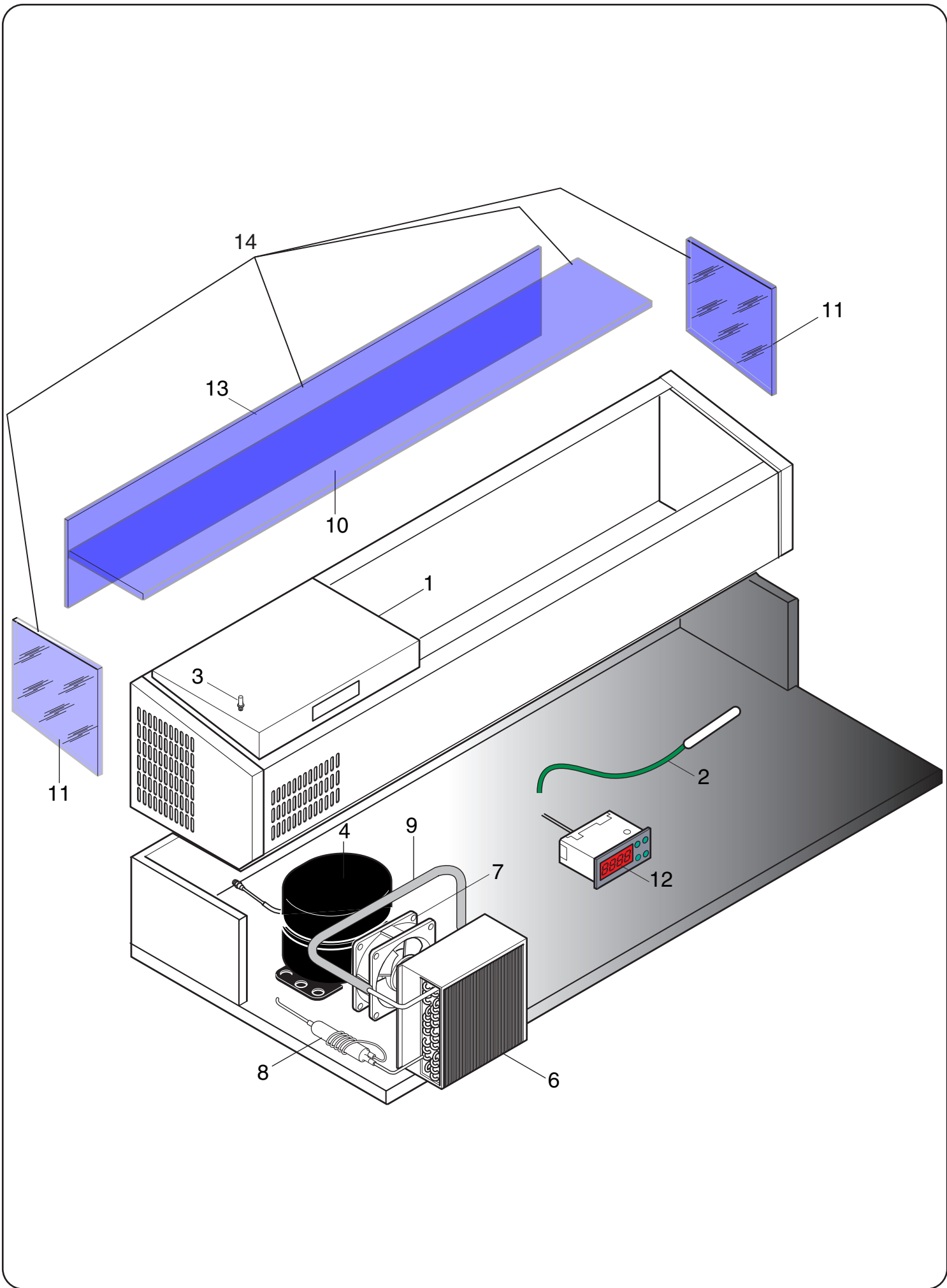


| Pos                      | Code   | Factory code | Description                       | Descrizione                       | Ref/notes  |
|--------------------------|--------|--------------|-----------------------------------|-----------------------------------|--|
| reference pag. 10_11     |        |              |                                   |                                   |  |
| <b>Doors and Drawers</b> |        |              | <b>Porta e Cassetti</b>           |                                   |  |
| 1                        | 095832 | 835R63802    | FOAMED D. ASSEMBLY H700 apx/zan   | PORTA SCHIU. CON GUARNI.APX_ZAN   | CL Apx   |
| 2                        | 095657 | 548R11400    | MAGNETIC GASKET H650              | GUARNIZIONE PORTA                 |  |
| 3                        | 095227 | 503R09702    | FRONT SUPPORT GRIDS H700          | FRONTALE SUPPORTO GUIDE           |  |
| 4                        | 095228 | 502R84601    | LEFT GUIDE FOR SHELF              | GUIDA A "C" SX TAV NGC H700/H650  |  |
| 5                        | 095229 | 502R84701    | RIGHT GUIDE FOR SHELF             | GUIDA A "C" DX TAV NGC H700/H650  |  |
| 6                        | 095231 | 514R23500    | SHELF                             | GRIGLIA RILSAN TAVOLO H650/H700   |  |
| 7                        | 095326 | 505R23702    | LOWER HINGE H650/H700             | CERNIERA INFERIORE                |  |
| 8                        | 095327 | 505R23803    | UPPER HINGE H650/H700             | CERNIERA SUPERIORE                |  |
| 9                        | 087667 | 514746701    | PIN FOR DOOR                      | PERNO PER CERNIERA INFERIORE      |  |
| 10                       | 089146 | 800735200    | DOOR OPENING END COURSE           | PIASTRINA FERMO BATTUTA PORTA     |  |
| 11                       | 081807 | 549700000    | UPPER DOOR BUSH                   | BOCCOLA X CERNIERA SUPERIORE      |  |
| 11a                      | 087955 | 549703000    | LOWER DOOR BUSH                   | BOCCOLA X CERNIERA INFERIORE      |  |
| 15                       | 095654 | 548R13200    | GASKET DRAWER 1/3                 | GUARNIZ.CASS.1/3                  |  |
| 16                       | 096133 | 833R40801    | 1/3 DRAW+GUIDES (WITHOUT FRONTAL) | ASS.INVOLUCRO CASSETTO+GUIDE      |  |
| 17                       | 095266 | 832R23200    | LEFT SUPPORT DRAWERS              | CARRELLO SX PER MOD.CASSETTI      |  |
| 18                       | 095267 | 832R23300    | RIGHT SUPPORT DRAWERS             | CARRELLO DX PER MOD.CASSETTI      |  |
| 19                       | 095365 | 875R33501    | CROSSBEAM ASSEMBLY - DRAWERS      | TRAVERSA CASSETTO 1/ E 1/2 TN     | CL only refrigerated - up to 2019/13 - Replaced by pos. 35 |
| 19a                      | 095366 | 835R53802    | FOAM PILLAR ASS. - DRAWERS        | TRAVERSA CASSETTO 1/ E 1/2 BT     | CL only freezer - up to 2019/13 - Replaced by pos. 35      |
| 20                       | 095552 | 543R18901    | PLASTIC PILLAR PLUG RIGHT/LEFT    | TAPPO TRAVERSA DX E SX            | CL only refrigerated - up to 2019/13 - Replaced by pos. 35 |
| 21                       | 096134 | 833R41000    | 1/3 SUPPORT +GUIDE ASSEMBLY       | SUPPORTO TELAIO DX E SX CASS.1/3  |  |
| 23                       | 095267 | 832R23300    | RIGHT SLIDING GUIDE               | GUIDA SCORREVOLE DX               |  |
| 24                       | 095266 | 832R23200    | LEFT SLIDING GUIDE                | GUIDA SCORREVOLE SX               |  |
| 25                       | 097076 | 835R64002    | FOAMED FRONT DRAW. 1/3 APX        | ASS.CASS.1/3 SCHIUMATO            | CL   |
| 27                       | 095655 | 548R13100    | GASKET DRAWER 1/2                 | GUARNIZ.CASS.1/2 TAV NGC H700     |  |
| 28                       | 095873 | 833R40700    | 1/2 DRAW+GUIDES                   | INVOLUCRO CON GUIDE               |  |
| 29                       | 096136 | 833R40900    | 1/2 SUPPORT +GUIDE ASSEMBLY       | SUPP. TELAIO DX E SX CASS.1/2-2/3 |  |
| 30                       | 095833 | 835R63902    | FOAMED FRONT DRAW. 1/2 APX        | ASS.CASS.1/2 SCHIUM. APX          | CL   |
| 31                       | 095656 | 548R13700    | GASKET DRAWER 2/3                 | GUARNIZ.CASS.2/3 TAV NGC H650     |  |
| 32                       |        | 835R67001    | 2/3 FOAMED DRAWER ASSEMBY H650    | ASS.CASS.2/3 SCHIUM. APX          | CL   |
| 33                       | 096128 | 835R70401    | FOAMED DOOR ASSEMBLY H650 BL      | PORTA SCHIU. CON GUARNIIONE BL    | BL   |
| 34                       | 096131 | 835R70501    | 1/2 FO. DRAWER ASSEMBLY BL H650   | ASS.CASS.1/2 SCHIUMATO            | BL   |
| 35                       | 096130 | 835R70800    | CROSSBEAM ASSEMBLY - DRAWERS      | TRAVERSA CASSETTO TN              | BL   |
| 36                       | 096132 | 835R70601    | 1/3 FO. DRAWER ASSEMBLY BL H650   | ASS.CASS.1/3 SCHIUMATO            | BL   |
| 37                       | 096135 | 835R70700    | 2/3 FO. DRAWER ASSEMBLY BL H650   | ASS.CASS.2/3 SCHIUMATO            | BL   |
|                          |        |              | BL= Benefit line                  |                                   |  |
|                          |        |              | CL= Concept line                  |                                   |  |

\*= On demand









| Pos                     | Code   | Factory code | Description                    | Descrizione                    | Ref/notes                 |
|-------------------------|--------|--------------|--------------------------------|--------------------------------|---------------------------|
| <b>reference pag.15</b> |        |              |                                |                                |                           |
| <b>Show case</b>        |        |              | <b>Vetrina</b>                 |                                |                           |
| 1                       | 091987 | 0519740405   | CRUSCOTTO COMANDI              | COMAND PANEL                   | 1780                      |
| 1                       | 091989 | 0519740606   | CRUSCOTTO COMANDI              | COMAND PANEL                   | 2180                      |
| 2                       | 092173 | 0646R06700   | SONDA BLU                      | PROBE                          | Up to 2022/07             |
| 2                       | 099955 | 0646R00300   | SONDA                          | PROBE                          | From 2022/08              |
| 3                       | 050168 | 0214036000   | PERNO PER PANNELLO LATERALE SX | PIN FOR LEFT SIDE PANEL        |                           |
| 4                       | 093267 | 0684R05100   | COMPRESSORE                    | COMPRESSOR                     | Up to 2022/07             |
| 4                       | 093425 | 0684R05700   | COMPR_EMT6144U 220-50 R290     | COMPRESS. EMT6144U 220-50 R290 | From 2022/08              |
| 6                       | 087008 | 0830782202   | CONDENSATORE                   | CONDENSER                      |                           |
| 7                       | 0A9640 | 0682713800   | VENTILATORE                    | MOTOR VENTILATOR               | Up to 2022/07             |
| 7                       | 095315 | 0682R10700   | VENTILATORE                    | MOTOR VENTILATOR               | From 2022/08              |
| 8                       | 085886 | 0805739903   | FILTRO DEIDRATORE              | DEHIDRATOR FILTER              |                           |
| 9                       |        | 0858R09800   | ASS. SCAMBIATORE               | HEATING EXCHANGER              |                           |
| 10                      | 087020 | 0549738100   | VETRO SUPERIORE                | UPPER GLASS                    | 1780                      |
| 10                      | 087046 | 0549738300   | VETRO SUPERIORE                | UPPER GLASS                    | 2180                      |
| 11                      | 087021 | 0549738500   | VETRO LATERALE                 | SIDE GLASS                     |                           |
| 12                      | 091609 | 0646R04701   | TERMOREGOLATORE CAREL          | THERMOREGULATOR CAREL          | (TO BE SET) Up to 2022/07 |
| 12                      | 093532 | 0646R10803   | TERMOREGOLAT. IR33 IMEL1J0559  | CONTROLLORE IR33               | (TO BE SET) From 2022/08  |
| 13                      | 087019 | 0549737700   | VETRO ANTERIORE                | FRONT GLASS                    | 1780                      |
| 13                      | 087045 | 0549737900   | VETRO ANTERIORE                | FRONT GLASS                    | 2180                      |
| 14                      | 092676 | 0805741801   | KIT VETRI CON GANCI            | GLASS KITS WITH HOOKS          | 1780                      |
| 14                      |        | 0805742001   | KIT VETRI CON GANCI            | GLASS KITS WITH HOOK           | 2180                      |
| *                       | 085250 | 0518302201   | REGGI CRISTALLO                | SUPPORT GLASS                  | ORDER 5 PIECES            |
| *                       | 085248 | 0518302300   | SUPPORTO A 2 VIE               | SUPPORT WITH TWO HOLE          | ORDER 5 PIECES            |
| *                       | 085249 | 0518302400   | SUPPORTO CON 3 VIE             | SUPPO WITH THREE               | ORDER 2 PIECES            |
|                         |        |              |                                |                                |                           |
|                         |        |              |                                |                                |                           |
|                         |        |              |                                |                                |                           |
|                         |        |              |                                |                                |                           |
|                         |        |              |                                |                                |                           |
|                         |        |              |                                |                                |                           |
|                         |        |              |                                |                                |                           |
|                         |        |              |                                |                                |                           |
|                         |        |              |                                |                                |                           |
|                         |        |              |                                |                                |                           |
|                         |        |              |                                |                                |                           |
|                         |        |              |                                |                                |                           |

**Finanzen / Service**  
**28307 Bremen**  
Thalendorststraße 15  
Tel.+49 421 48557-0  
Fax+49 421 488650  
bremen@nordcap.de

**Vertrieb Ost**  
**12681 Berlin**  
Wolfener Straße 32/34, Haus K  
Tel.+49 30 936684-0  
Fax+49 30 936684-44  
berlin@nordcap.de

**Vertrieb West**  
**40699 Erkrath**  
Max-Planck-Straße 30  
Tel.+49 211 540054-0  
Fax+49 211 540054-54  
erkrath@nordcap.de

**Vertrieb Nord**  
**21079 Hamburg**  
Großmoorbogen 5  
Tel.+49 40 766183-0  
Fax+49 40 770799  
hamburg@nordcap.de

**Vertrieb Süd**  
**55218 Ingelheim**  
Hermann-Bopp-Straße 4  
Tel.+49 6132 7101-0  
Fax+49 6132 7101-20  
ingelheim@nordcap.de



[www.nordcap.de](http://www.nordcap.de)