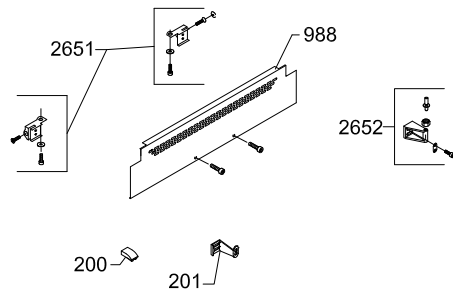
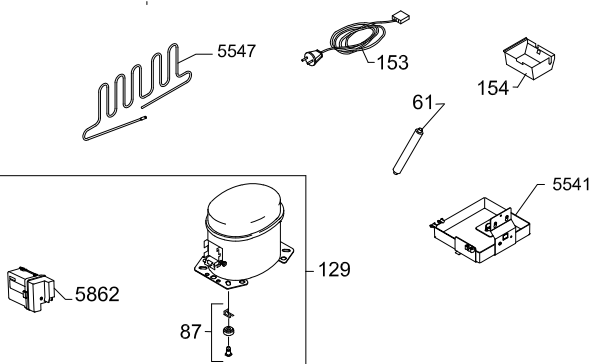
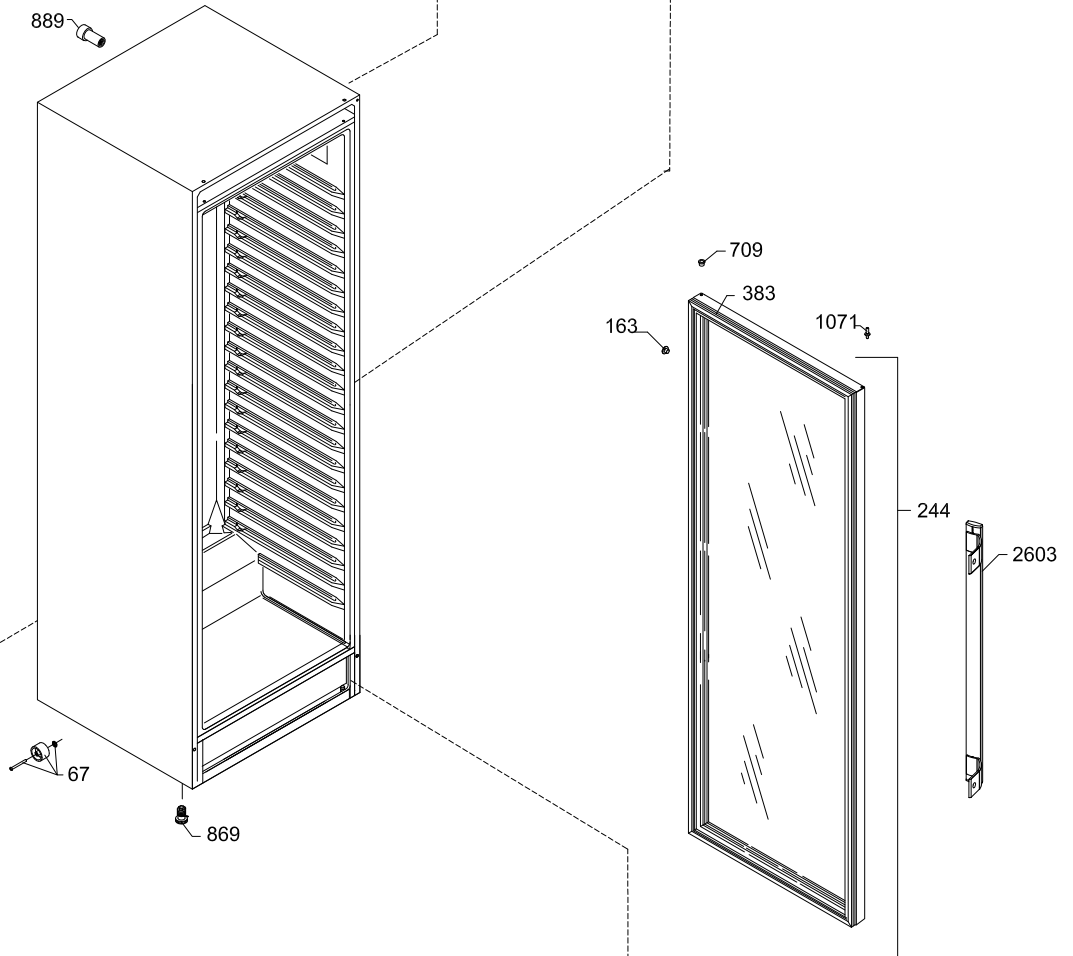
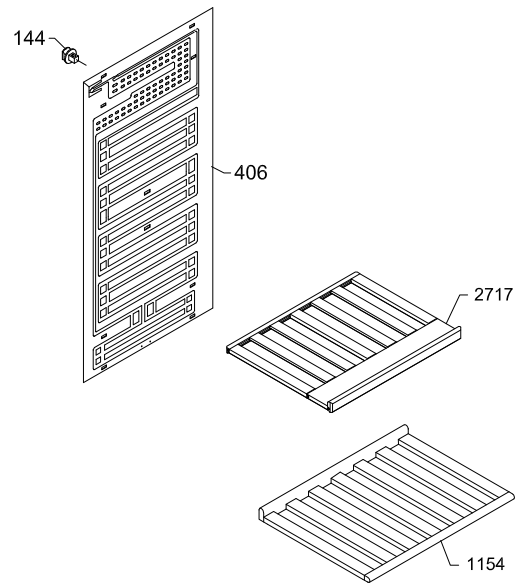
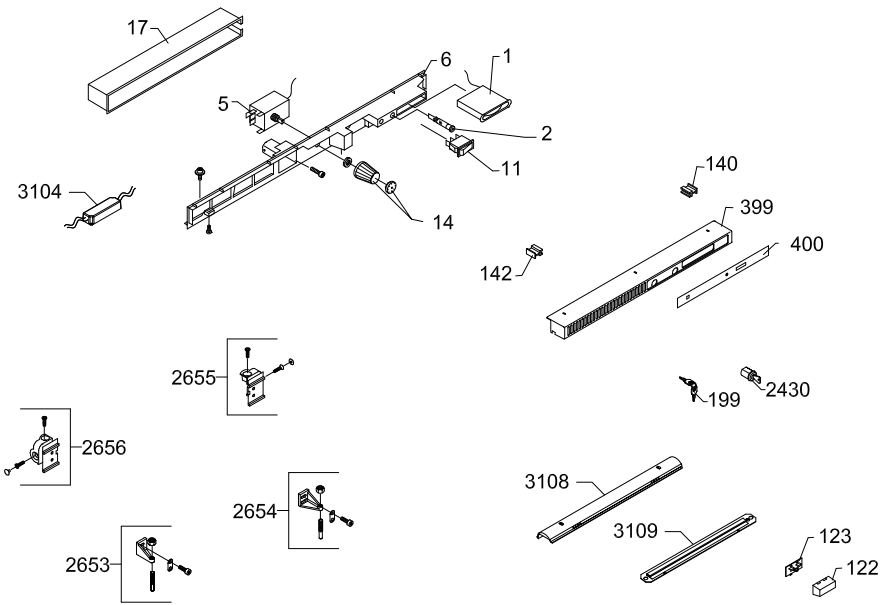


Ersatzteilliste-Explosionszeichnung

Weinlagerschrank VKG 571 LED

[Artikel-Nr.: 477210571]





Position	Item number	Item name
0001	0-70389060103	Thermometer, refrigerator
0002	0-7038080	Glow lamp - green
0005	0-7220025	Thermostat, refrigerator
0006	0-52382920203	Panel box
0011	0-70380670303	Switch for light
0014	0-52388410103	Thermostat knob
0017	0-523810804	Cover for electrical unit
0061	0-6538001	Filter drier,
0067	A5238026	Castor, complete
0087	0-6038175	Base plate fittings, complete
0122	0-5238404	Housing for fittings for phial
0123	0-5238403	Fittings for phial
0129	8-036510311	Compressor -VMH1070Y
0140	0-52388420103	Covering, top panel,- right
0142	0-52388400103	Covering, top panel,- left
0144	0-52382260103	EVAPORATOR CLIPS - Black
0153	7535380	Power cord
0154	0-7038254	Cover for multiple plug
0163	0-52381660203	Covering - black, RAL9005
0199	0-4838236	Key set 2 pcs EUROLOCKS / Kulcs szett (2 kulcs / szett)
0200	0-52385350103	Support for door
0201	0-52385610103	Lock fittings
0244	0-028000121	Door, complete, glass
0383	0-5239566-03	Gasket
0399	8470938	Cover plate for top panel
0400	0-5438897	Strip for top panel
0406	6020274-03	Evaporator
0709	0-52391220103	Bush
0869	0-5238956	Ajustable foot
0889	8470037	Charcoal filter
0988	0-4050020-03	Bottom panel. skirting board
1071	0-4838096	Pin
1154	0-7438103	Wine shelf
2430	0-A9151272-03	Lock complete
2603	8470449-03	Hand lever
2651	0-A910890	Contact face for hinge, Bottom, left + right, complete
2652	0-A910650	Hinge, Bottom, complete
2653	0-A910140-03	Hinge, "L", complete
2654	0-A910111-03	Hinge, "R", complete
2655	0-A910112	Contact face for hinge, right, complete
2656	0-A910133	Contact face for hinge, left complete
2717	7438133	Wine shelf (Show)
3104	7020035	Transformer
3108	0-5239995-23	Light screen
3109	7010541	LED light
5541	3010430	Drip tray
5547	6040412	Heat tubing
5862	6520015	Inverter JXPR-AS23 drop-in 230V 50Hz
XXXX	1006602	Wire diagram

Subject to changes without prior notice.

Finanzen/Service

28307 Bremen
Thalenhorststraße 15
Tel.+49 421 48557-0
Fax+49 421 488650
bremen@nordcap.de

Vertrieb Ost

12681 Berlin
Wolfener Straße 32/34, Haus K
Tel.+49 30 936684-0
Fax+49 30 936684-44
berlin@nordcap.de

Vertrieb West

40699 Erkrath
Max-Planck-Straße 30
Tel.+49 211 540054-0
Fax+49 211 540054-54
erkrath@nordcap.de

Vertrieb Nord

21079 Hamburg
Großmoorbogen 5
Tel.+49 40 766183-0
Fax+49 40 770799
hamburg@nordcap.de

Vertrieb Süd

55218 Ingelheim
Hermann-Bopp-Straße 4
Tel.+49 6132 7101-0
Fax+49 6132 7101-20
ingelheim@nordcap.de

