

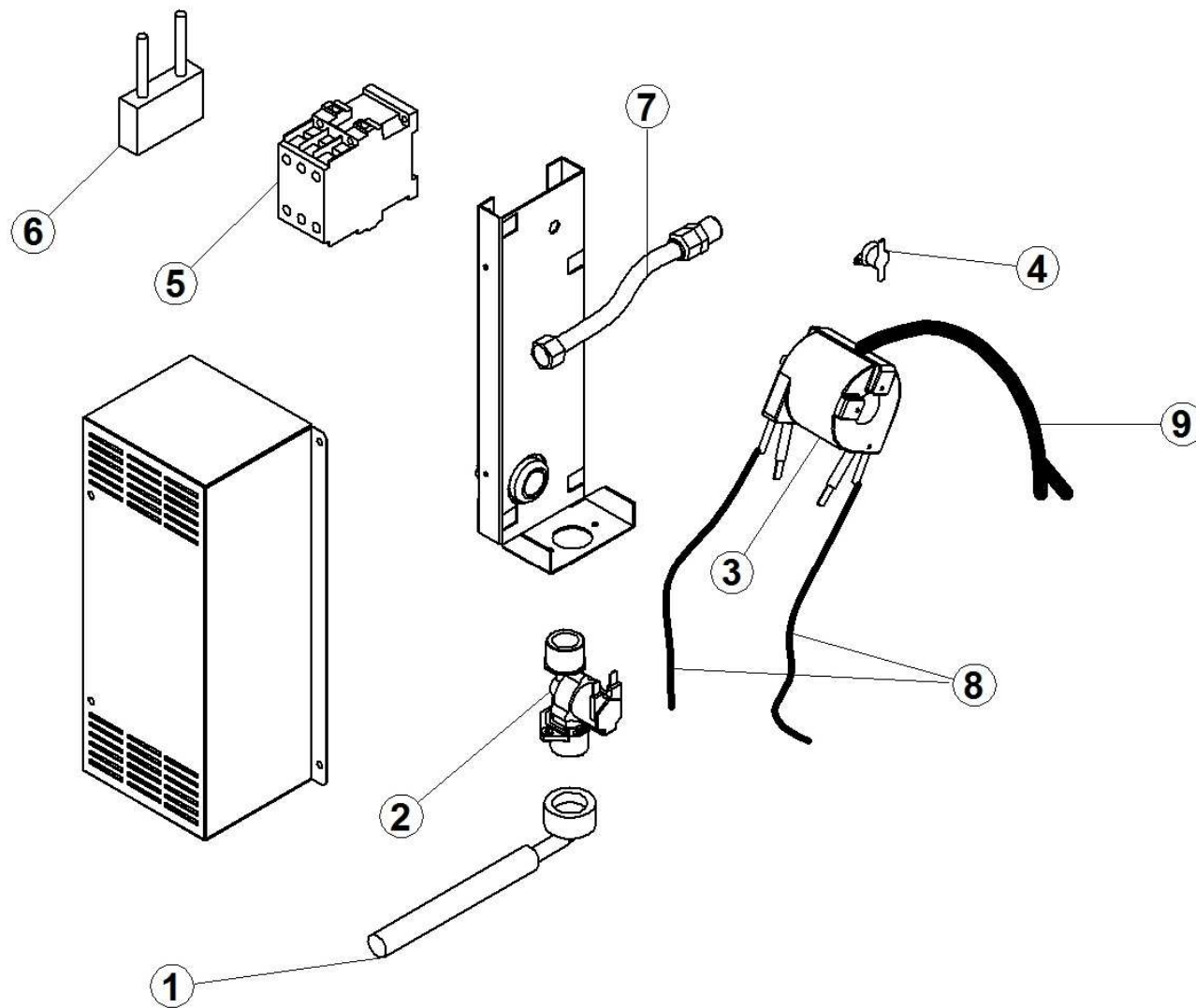
73302730

Revisione 00

Mod. S100 V - S105V - S120W - S125W

1/1





73303950

Revisione 00

Mod. S50V

1/1