

Ersatzteilliste-Explosionszeichnung

Umluft-Gewerbekühlschrank KU 702 COMFORT



Thermoregulator
-2/0°C - 2M - full door

CABINETS MASS/GAB R290

PNC	MODEL	REF	PAGE	DESCRIPTION	NOTE/ BRAND
110361	ZRX142FRCG	f	3,5,6,7,8	2-DOOR REFR 1430L 0/+6°C,DIGITAL(R290)UK	Zanussi
110362	ZRX142GRCG	g	4,5,7	2-GL.DOOR REFR 1430L 2/10°C, DIG(R290)UK	Zanussi
110372	ZR4142FRCG	h	3,5,6,7,8	2-DOOR REFR 1430L 0/+6°C,DIG,S/S(R290)UK	Zanussi
110373	ZR4142GRCG	i	4,5,7	2-GL.DR REF 1430L +2+10°,DIG,S/S(R290)UK	Zanussi
110379	ZRX142FRH	l	3,5,6,7,8	2-DOOR REFR.1430L -2/+10°C,DIG(R290)	Zanussi
110800	ZR4142GRCG	x	4,5,6,7	2-DOOR GLASS DOOR REFRIG. 1430L +2/+10°C, DIGITAL-R290	Zanussi
110839	ZX142GRCG	y	4,5,6,7	2-GLASS DOOR REFRIG 1430L +2+10°C, DIGITAL-R290	Zanussi
110859	ZR4142GRCG	x	4,5,6,7	2-DOOR GLASS DOOR REFRIG. 1430L +2/+10°C, DIGITAL-R290	Zanussi
110876	ZRX142FRH	a4	3,5,6,7,8	2-DOOR REFRIGERATOR 1430L -2/+10°C,DIGITAL WITH LIGHT-R290	Zanussi
110937	ZR4142FRCG	h	3,5,6,7,8	2-DOOR REFRIGERATOR+WHEELS 1430L 0+6°C, DIGITAL, S/S, R290 - UK	Zanussi
110943	ZRX142FRH	l	3,5,6,7,8	2-DOOR REFRIGERATOR 1430L -2+10°C, DIGITAL, A304 - R290	Zanussi
110972	ZR4142GRCG	x	4,5,6,7	2-GLASS DOOR REFRIGERATOR+WHEELS 1430L +2+10°C, DIGITAL, S/S, R290 - UK	Zanussi
110975	ZRX142FRH	a4	3,5,6,7,8	2-DOOR REFRIGERATOR 1430L -2+10°C, DIGITAL WITH LIGHT, A304-R290	Zanussi
190ESR	ZRX142FRH	a7	3,5,6,7,8	2-DOOR REFRIGERATOR 1430L -2+10°C, DIGITAL, A304 - R290 UK PLUG	Zanussi
190ELO	REX142FRH	a8	3,5,6,7,8	2-DOOR REFRIGERATOR 1430L -2+10°C, DIGIT	EPR
725173	REX142FRHW	a6	3,6,8	2-DOOR REFRIG 1430L -2/+10°C,DIGITAL + WHEELS 881002	EPR
725182	REX142FRHW	a5	3,5,6,7,8	2-DOOR REFRIG.1430L WITH WHEELS -2/+10°C,DIG(R290)	EPR
725262	REX142FRHW	a6	3,6,8	2-DOOR REFRIGERATOR 1430L+WHEELS (881002) -2+10°C, DIGITAL, A304 - R290	EPR
725291	RE4142FRCG	b	3,5,6,7,8	2-DOOR REFRIGERATOR 1430L 0+6°C, DIGITAL, S/S, R290 - UK	EPR
725319	REX142FR5	e	3,5,6,7,8	2-DOOR REFRIGERATOR 1430L -2+10°C, DIGITAL-FULL A304 - R290	EPR
725323	REX142FRH	e	3,5,6,7,8	2-DOOR REFRIGERATOR 1430L -2+10°C, DIGITAL, A304 -R290	EPR
725388	REX142GRCG	a2	4,5,6,7	2-GLASS DOOR REFRIGERATOR 1430L +2+10°C, DIGITAL, A304-R290-UK	EPR
725390	RE4142GRCG	a3	4,5,6,7	2-GLASS DOOR REFRIGERATOR 1430L +2+10°C, DIGITAL, S/S-R290-UK	EPR
725393	REX142FRH	a4	3,5,6,7,8	2-DOOR REFRIGERATOR 1430L -2+10°C, DIGITAL WITH LIGHT, A304-R290	EPR
727400	REX142FRCG	a	3,5,6,7,8	2-DOOR REFR 1430L 0/+6°C,DIGITAL(R290)UK	EPR
727401	REX142GRCG	c	4,5,7	2-GL.DOOR REFR 1430L 2/10°C, DIG(R290)UK	EPR

Note: per la corretta identificazione dei componenti, attenersi esclusivamente alle pagine indicate e alla lettera di riferimento.

Note: for the correct identification of the components, follow the indicated pages and the reference letter.

Rev. 12	Pag. 3,4	Index	Indice
	5,6	Cabinet and door	Armadio e porta
	7,8	Cooling unit assembly	Gruppo refrigerante
	9-13	Control panel	Pannello comandi
		Spare parts list	Lista ricambi

Thermoregulator
-2/0°C - 2M - full door

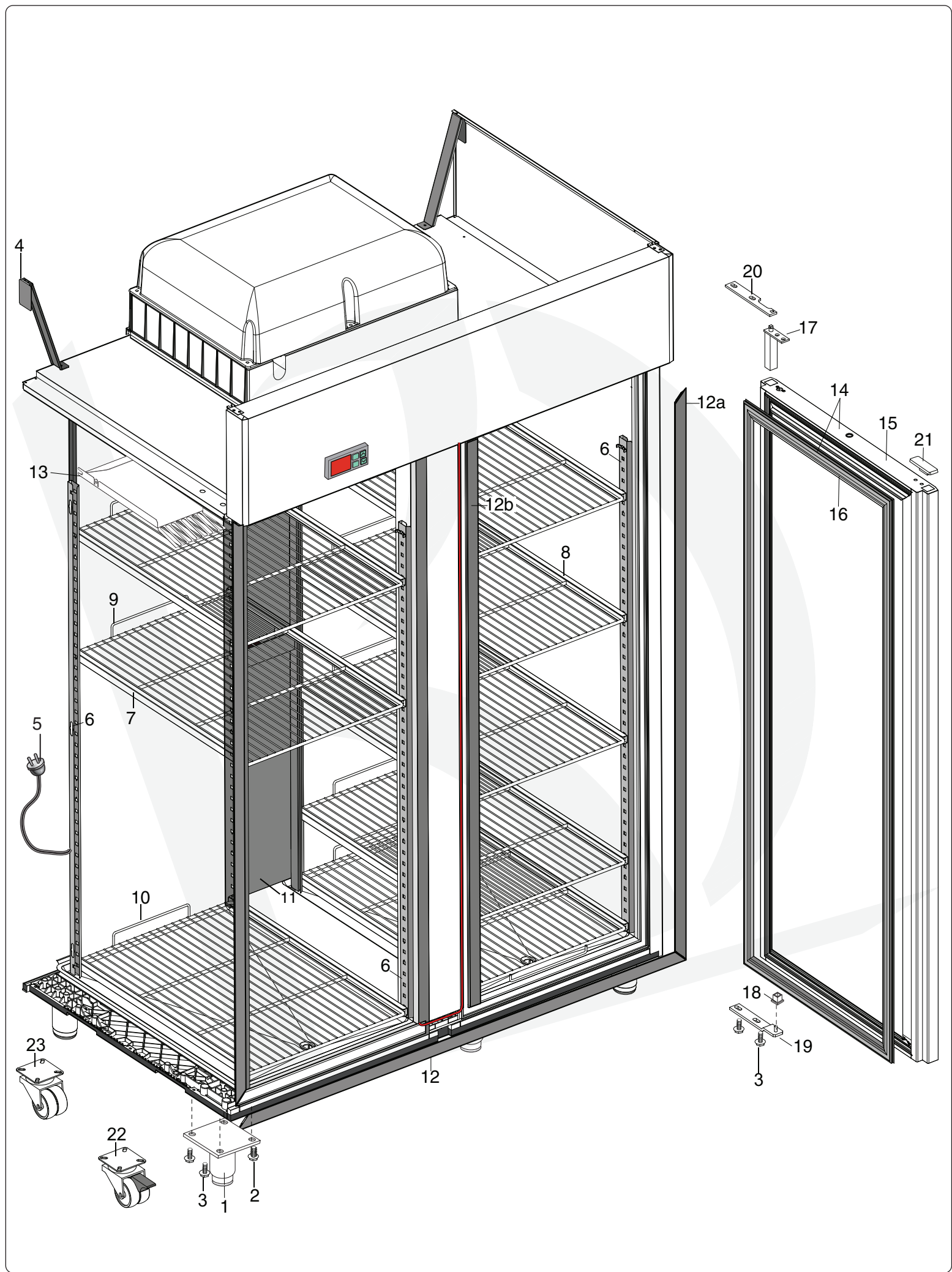
CABINETS MASS/GAB R290

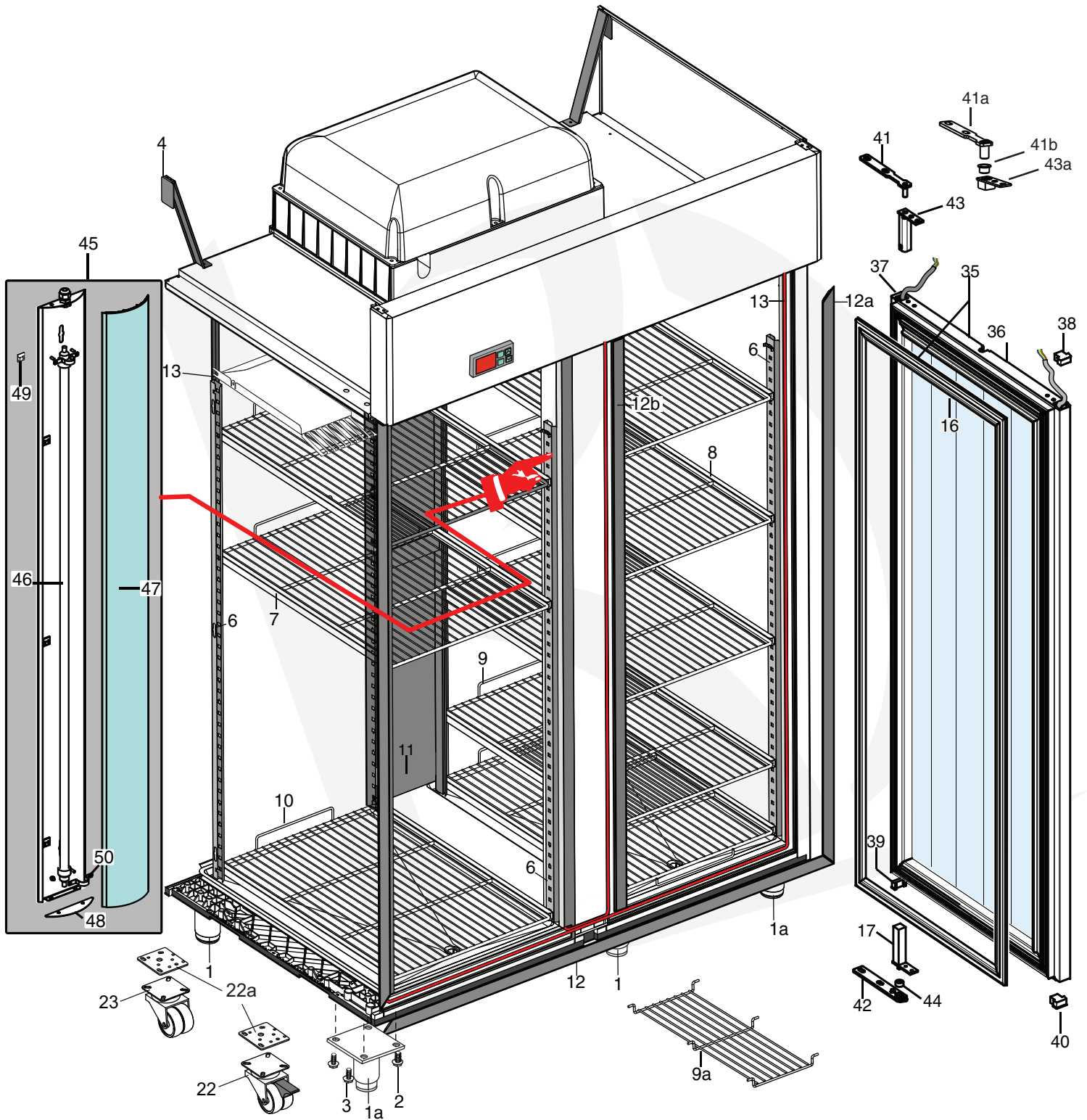
PNC	MODEL	REF	PAGE	DESCRIPTION	NOTE/ BRAND
727411	RE4142FRCG	b	3,5,6,7,8	2-DOOR REFR 1430L 0/+6°C,DIG,S/S(R290)UK	EPR
727412	RE4142GRCG	d	4,5,7	2-GL.DR REF 1430L +2+10°,DIG,S/S(R290)UK	EPR
727466	REX142FRH	e	3,5,6,7,8	2-DOOR REFRIG.1430L -2/+10°C,DIG(R290)	EPR
727881	REX142GRCG	z	4,5,6,7	2-GLASS DOOR REFRIG 1430L +2+10°C, DIG. UK-R290	EPR
727882	RE4142GRCG	a1	4,5,6,7	2-GLASS DOOR REFRIG 1430L +2+10°,DIG. S/S UK-R290	EPR
727960	REX142GRCG	a2	4,5,6,7	2-GLASS DOOR REFRIG 1430L +2+10°C, DIGITAL-R290-UK	EPR
727962	RE4142GRCG	a3	4,5,6,7	2-GLASS DOOR REFRIG 1430L +2+10°C, DIGITAL S/S R290-UK	EPR
727994	REX142FRH	a4	3,5,6,7,8	2-DOOR REFRIGERATOR 1430L -2/+10°C,DIGITAL WITH LIGHT-R290	EPR
728945	ARX142FRHW	w	3,5,6,7,8	2-DOOR REFRIG.1430L -2/+10°C,DIG(R290)+WHEELS	Alpen
729102	ARX142FRCG	m	3,5,6,7,8	2-DOOR REFR 1430L 0/+6°C,DIGITAL(R290)UK	Alpen
729103	ARX142GRCG	n	4,5,7	2-GL.DOOR REFR 1430L 2/10°C, DIG(R290)UK	Alpen
729113	AR4142FRCG	o	3,5,6,7,8	2-DOOR REFR 1430L 0/+6°C,DIG,S/S(R290)UK	Alpen
729114	AR4142GRCG	p	4,5,7	2-GL.DR REF 1430L +2+10°,DIG,S/S(R290)UK	Alpen
729120	ARX142FRH	q	3,5,6,7,8	2-DOOR REFR.1430L -2/+10°C,DIG(R290)	Alpen
729320	NRX142FRCG	r	3,5,6,7,8	2-DOOR REFR 1430L 0/+6°C,DIGITAL(R290)UK	To brand
729321	NRX142GRCG	s	4,5,7	2-GL.DOOR REFR 1430L 2/10°C, DIG(R290)UK	To brand
729330	BR4142FRCG	t	3,5,6,7,8	2-DOOR REFR 1430L 0/+6°C,DIG,S/S(R290)UK	To brand
729331	NR4142GRCG	u	4,5,7	2-GL.DR REF 1430L +2+10°,DIG,S/S(R290)UK	To brand
729336	NRX142FRH	v	3,5,6,7,8	2-DOOR REFR.1430L -2/+10°C,DIG(R290)	To brand
729488	ARX142GRCG	j	4,5,6,7	2-GLASS DOOR REFRIGERATOR 1430L +2°+10°C,DIGITAL UK-R290	Alpen
729489	AR4142GRCG	k	4,5,6,7	2-GLASS DOOR REFRIGERATOR 1430L +2+10°,DIGITAL,S/S UK-R290	Alpen
729523	ARX142FRH	a4	3,5,6,7,8	2-DOOR REFRIGERATOR 1430L -2/+10°C,DIGITAL WITH LIGHT-R290	Alpen
729635	ARX142FRHW	w	3,5,6,7,8	2-DOOR REFRIGERATOR 1430L+WHEELS -2+10°C, DIGITAL, A304 - R290	Alpen
729646	AR4142FRCG	o	3,5,6,7,8	2-DOOR REFRIGERATOR+WHEELS 1430L 0+6°C, DIGITAL, S/S, R290 - UK	Alpen
729651	ARX142FRH	q	3,5,6,7,8	2-DOOR REFRIGERATOR 1430L -2+10°C, DIGITAL, A304 - R290	Alpen
729659	NRX142FRH	v	3,5,6,7,8	2-DOOR REFRIGERATOR 1430L -2/+10°C,DIG(R290)	To brand
729669	ARX142FRH	a4	3,5,6,7,8	2-DOOR REFRIGERATOR 1430L -2+10°C, DIGITAL WITH LIGHT, A304 - R290	Alpen

Note: per la corretta identificazione dei componenti, attenersi esclusivamente alle pagine indicate e alla lettera di riferimento.

Note: for the correct identification of the components, follow the indicated pages and the reference letter.

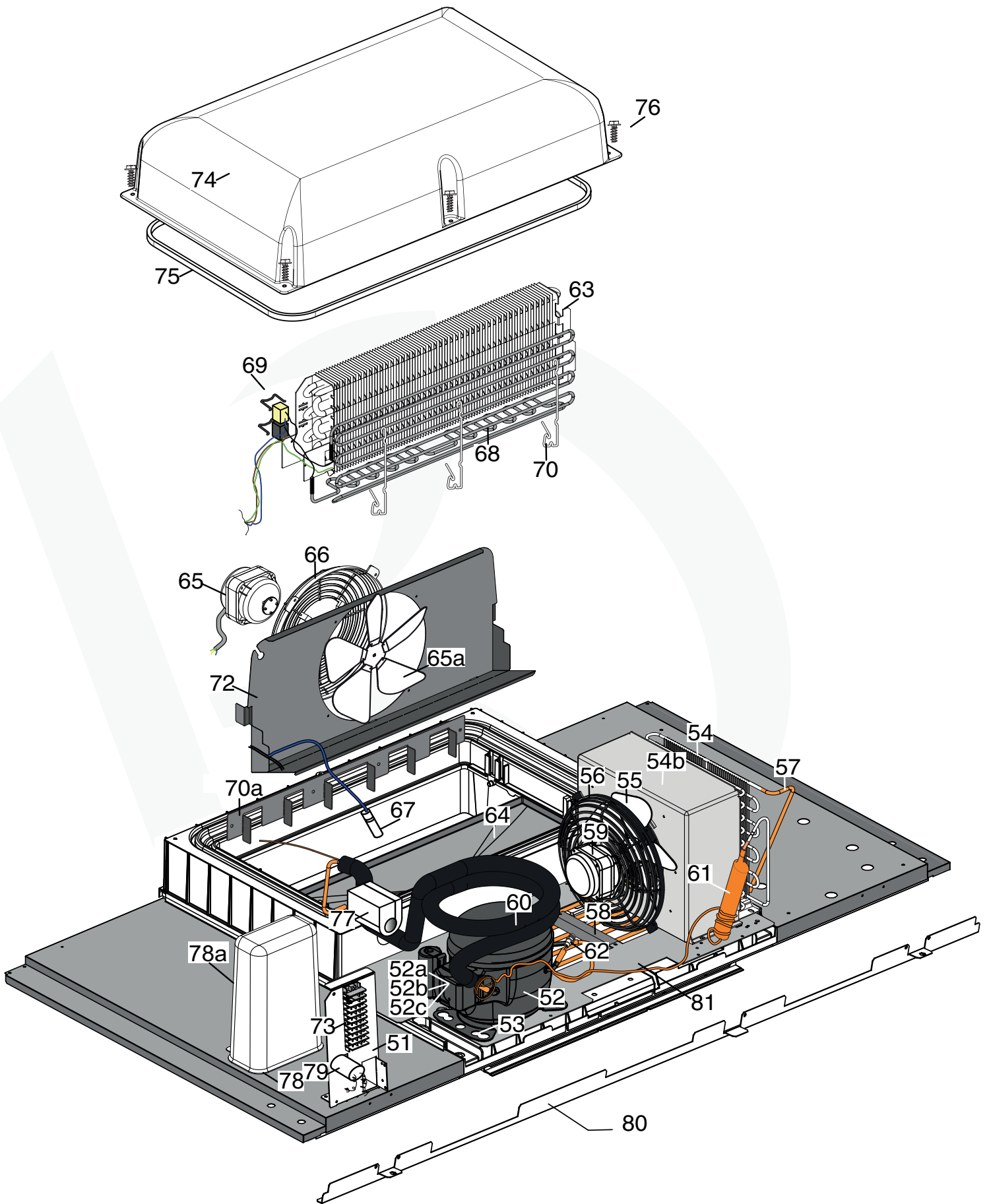
Rev. 12	Pag. 3,4	Index	Indice
	5,6	Cabinet and door	Armadio e porta
	7,8	Cooling unit assembly	Gruppo refrigerante
	9-13	Control panel	Pannello comandi
		Spare parts list	Lista ricambi



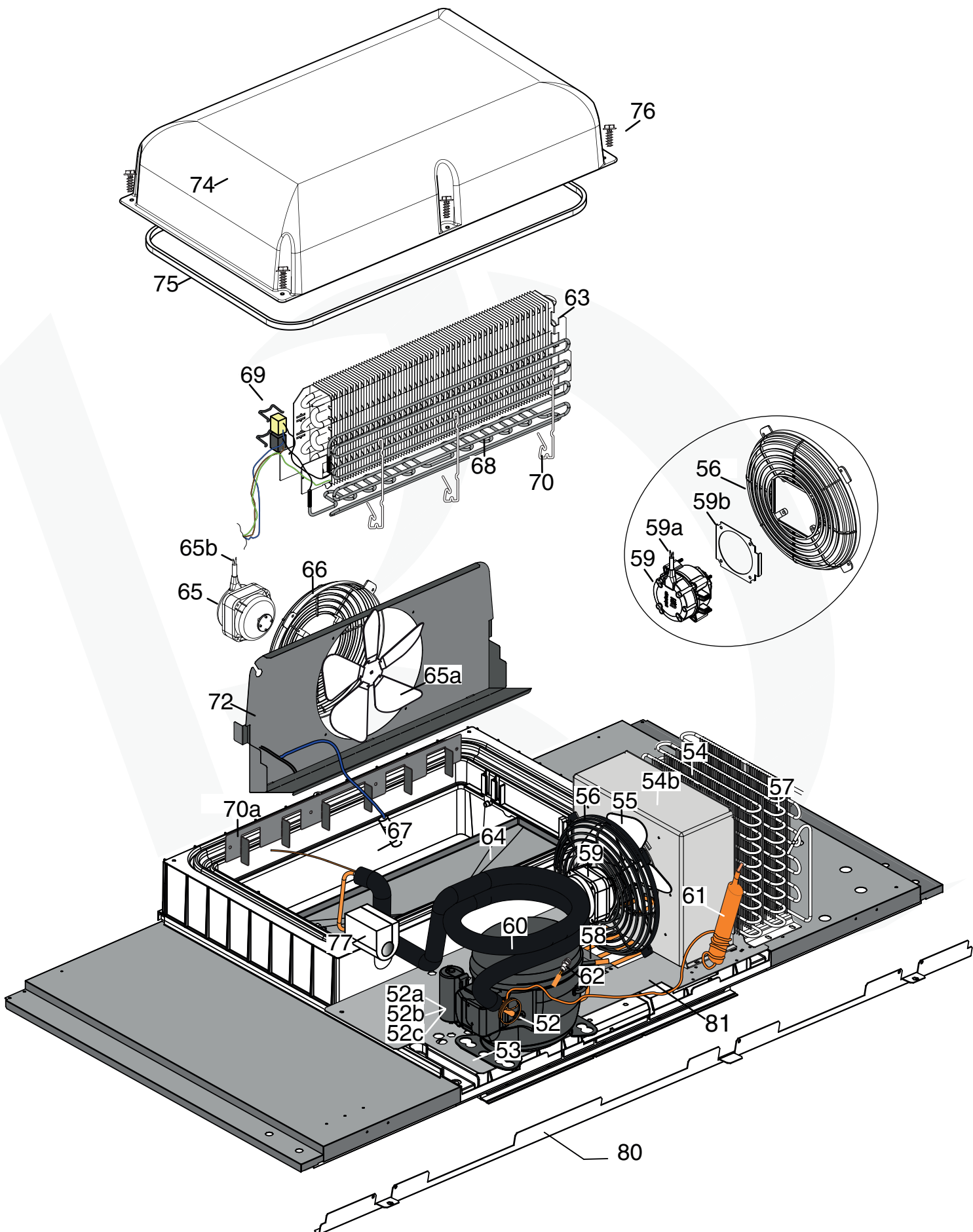


COOLING UNIT ASSEMBLY

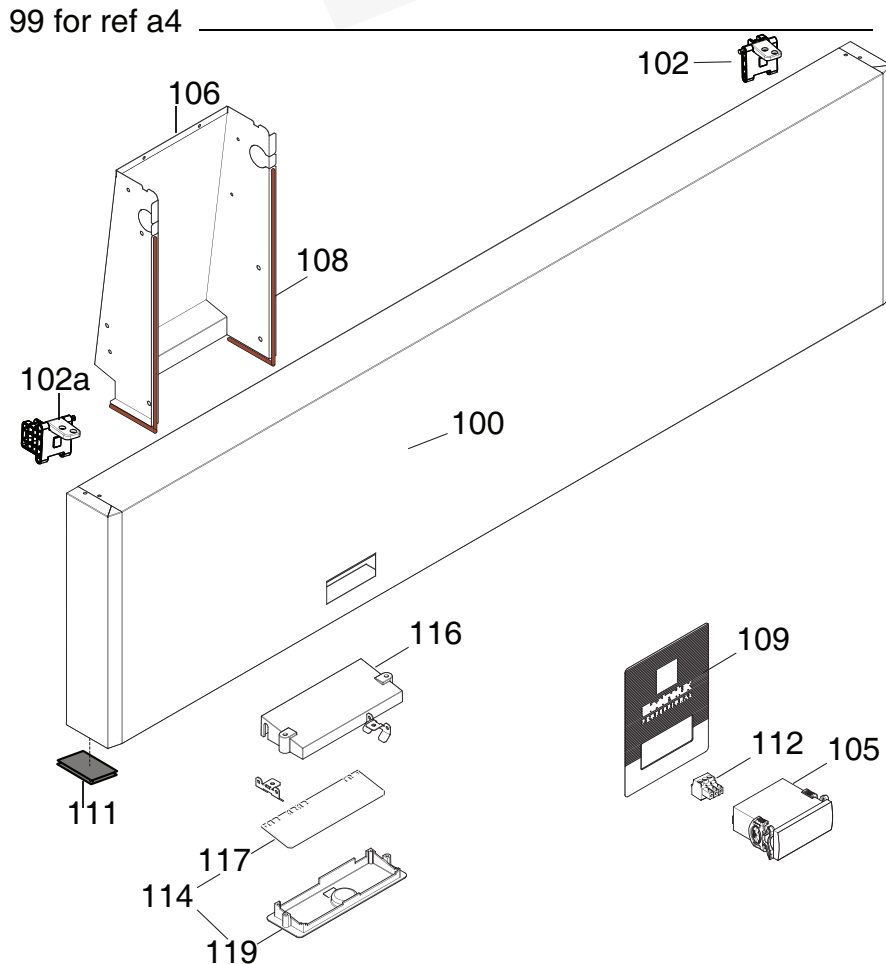
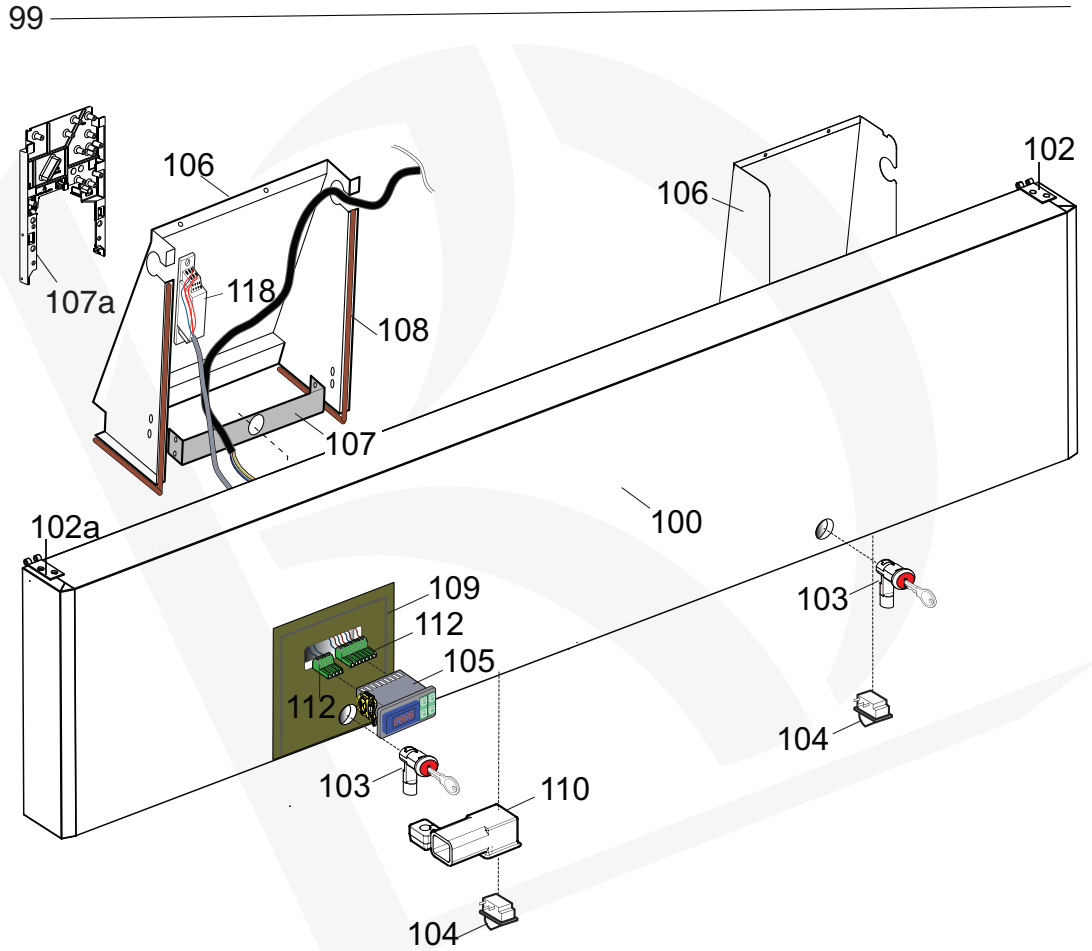
UP TO WK 37/2021 FOR FULL DOOR and x,a2,a3
ALWAYS FOR GLASS DOOR (except for x,a2,a3)



COOLING UNIT ASSEMBLY FROM WK 38/2021 FOR FULL DOOR and x,a2,a3

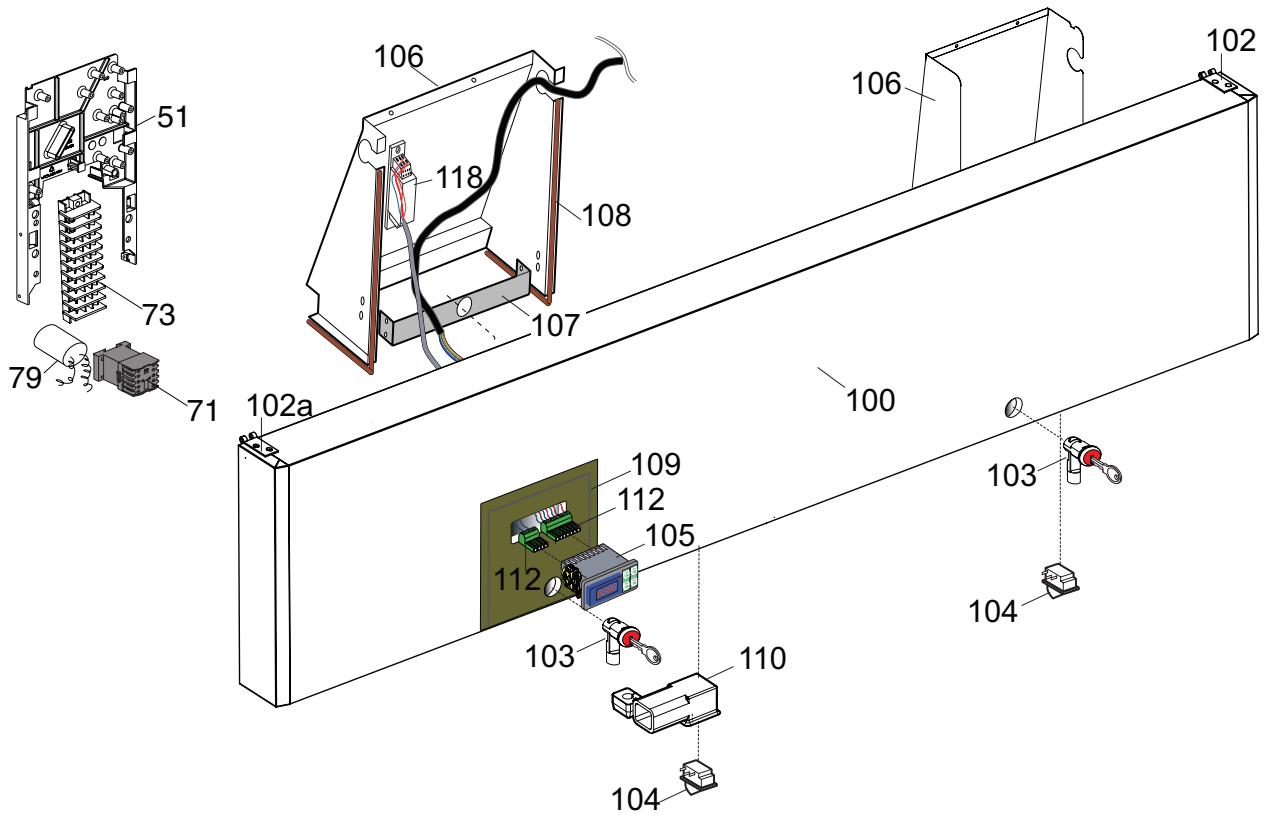


CONTROL PANEL UP TO WK 37/2021 FOR FULL DOOR ALWAYS FOR GLASS DOOR

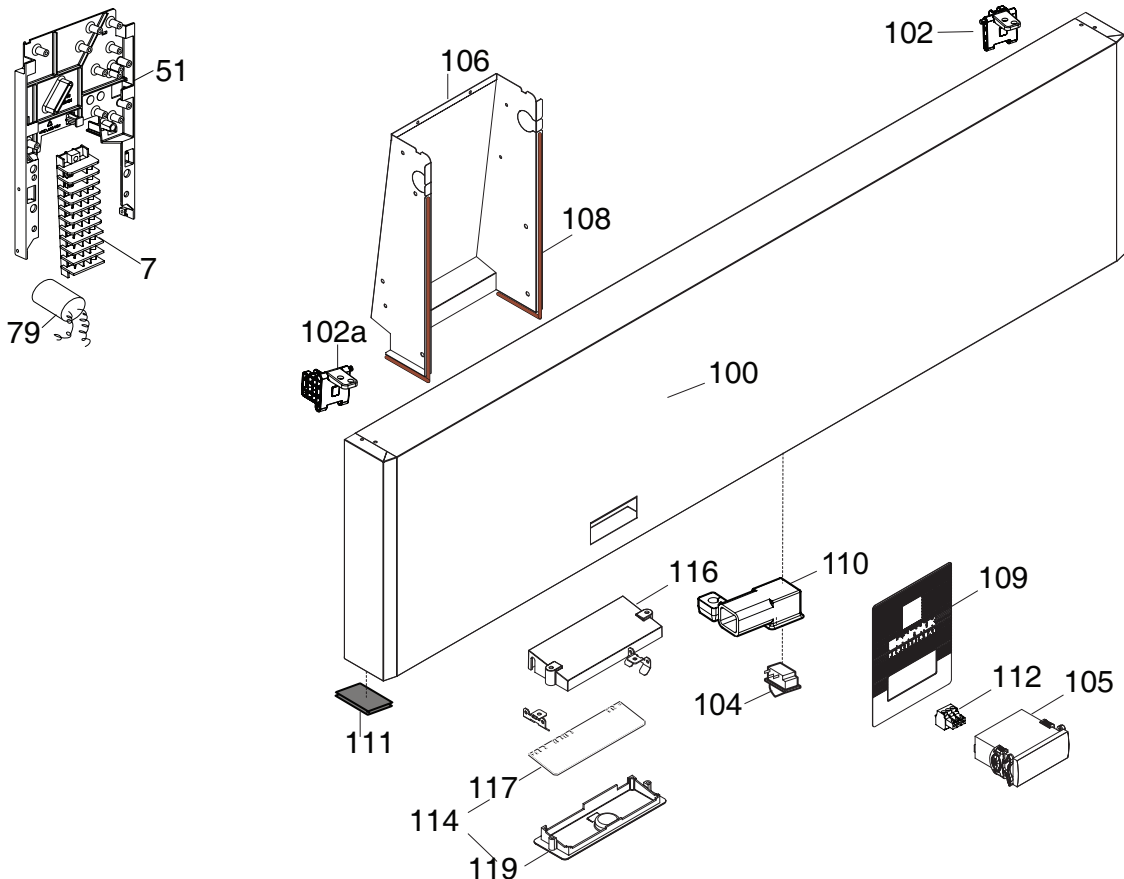


CONTROL PANEL FROM WK 38/2021 FOR FULL DOOR

99



99 for ref a4



Pos	Fact .Code	Code	Descrizione	Description	Ref, - Note
1	541R05001	093243	Piedino	Foot	e,l,q,v,a8
1a	518R02600	093244	Piedino anteriore porta vetro	Back foot glass door	
2	217555204	093245	Vite per plastica per piedino	Screw (use by fix foot)	
3	518708601	093246	Vite M8x20 per fiss. staffa sup/inf	Screw M8X20 (use by fix bracket)	
4	502R17500	093394	Staffa supporto fianchi	Side support	
5	635R32300	095750	Cavo di alimentazione SCHUKO	SCHUKO supply cable	e,j,k,l,q,v,w,x,y, z,a1,a2,a3,a5 a8
5	635R35600		Cavo di alimentazione UK	UK supply cable	
6	501R38201	093249	Cremagliera anteriore/posteriore	Front/back Rack	
7	501R47900	093250	Guida Sx	Left support	
8	501R48100	093251	Guida Dx	Right support	
9	514R10600	093252	Griglia 2/1 rilsan	Grid 2/1rilsan	
9a	514R11700	093397	Griglia centrale	Central grid	
10	514R10600	093253	Griglia di fondo rilsan	Bottom grid rilsan	
11	501R62100	093490	Supporto centrale cremagliere	Rack support	
12	832R09202	093545	Cornice orrizzontale	Orrizzontal frame	
12a	832R09101	093255	Cornice verticale	Vertical frame	
12b	832R09401	093399	Cornice verticale montante	Vertical frame central support	
13	875R37501		Assieme carter interno	Internal protection assembly	
14	835R27008	093289	Porta con guarnizione, cerniera	Gasket, hinge, and door	a,e,f,l,m,q,r,v, w,a5,a7,a8
14	835R27108	093290	Porta con guarnizione, cerniera A430	Gasket, hinge, and door A430	b,h,o,t
14	835R75700		Porta con guarnizione, cerniera	Gasket, hinge and door with light	a4
15	835R27407	093581	Porta 304	Door (left) for template A304	a,e,f,l,m,q,r,v, w,a5,a7,a8
15	835R27507	096028	Porta 430	Door (left) for template A430	b,h,o,t
15	835R75600		Porta 304	Door (left) for template A304	a4
16	548R06802	093257	Guarnizione porta pv	Gasket glass door	glass door
16	548R08000	094152	Guarnizione porta pc/pv LED	Gasket full door and LED glass door	full door and a2,a3
17	835704001	082219	Cerniera porta	Hinge door	
18	544700601	081654	Boccola per porta	Door bush	
19	833R21600	093341	Staffa inferiore porta	Lower stirrup door	
20	505723801	082257	Staffa superiore porta	Upper stirrup door	
21	541R05301	093271	Tappo per cerniere	Hole hinge plug	
22	835R24900	093575	Ruota rotante con freno	Brake wheel	a,b,c,d,f,g,h,i, j,k,m,n,o,p,r,s, t,u,x,y,z,a1,a2,a3 w,a5,a6
22	835739900	087110	Ruota rotante con freno	Brake wheel	
22a	504R17300	096411	Piastra di sostegno	Support plate for wheels	a2,a3
23	835R24800	093574	Ruota rotante	Weel	a,b,c,d,f,g,h,i,j, k,m,n,o,p,r,s,t, u,x,y,z,a1,a2,a3 w,a5,a6
23	835740000	087111	Ruota rotante	Weel	
35	880R57001	093736	Ass. porta vetro completa	Glass door assembled	
35	883R01401	*	Ass. porta vetro LED completa	LED Glass door assembled	a2,a3
36	879R15600	093274	Porta vetro tn	Glass door TN	
36	879R36600	096173	Porta vetro LED tn	LED Glass door TN	a2,a3
37	546R22400	093535	Tappo sup. dx pv	Upper right plug door GL	
38	546R22300	093536	Tappo sup. sx pv	Upper left plug door GL	
39	546R22500	093537	Tappo inf. dx pv	Lower right plug door GL	
40	546R22200	093538	Tappo inf. sx pv	Lower left plug door GL	
41	505R12700	093349	Staffa superiore pv	Upper hinge GL	
41a	505R21900	096180	Cerniera superiore pv LED	Upper hinge GL LED	a2,a3
41b	546R35300	096182	Boccola GFM-16-18-16	Bush GFM-16-18-16	a2,a3
42	833R21900	093301	Ass. staffa inf.(reversibile) pv	Lower bracket (reversible)	
43	835R28100	093320	Ass cerniera sup pv	Upper hinge GL	
43a	505R22000	096181	Ass cerniera sup pv LED	Upper hinge GL LED	a2,a3
44	546R23100	093517	Boccola per cerniera PV	Hinge bush GL	
45	880R60700	093303	Ass. lampada completo	Light support assembly	c,d Up to 2471...
45	835R26801	094484	Ass. lampada completo	Light support assembly	c,d,g,i,j,k,n, p,s,u,x,y,z,a1

Pos	Fact .Code	Code	Descrizione	Description	Ref, - Note
46	661R01000	093350	Lampada 28W	Neon 28W	From 2481... c,d,g,i,j,k,n, p,s,u,x,y,z,a1
47	546R22600	093258	Frontale lampada	Protection light	c,d,g,i,j,k,n, p,s,u,x,y,z,a1
48	501R49500	093351	Tappo chiusura luce	Plug of clousure	c,d,g,i,j,k,n, p,s,u,x,y,z,a1
49	546R23200	093352	Ferma cavo	Wiring stopper	c,d,g,i,j,k,n, p,s,u,x,y,z,a1
50	501R50200	093321	Fermo lampada	Stopper light	c,d,g,i,j,k,n, p,s,u,x,y,z,a1
51	502R24300		Supporto impianto elettrico	Electrical wiring support	All except for a6 Up to 2021/37
51	502R24300		Supporto impianto elettrico	Electrical wiring support	x,a2,a3 from 2021/38
51	546R43401	097284	Supporto impianto elettrico	Electrical wiring support	b,e,h,l,o,q,t,v,w, a4,a8 from 2021/38
52	684R05900	093426	Compressore EMT6152U R290	Compressor EMT6152U R290	
52a	*		Relè avviamento	Start relay	
52b	*		Protettore	Protector	
52c	*		Condensatore di avviamento	Start capacitor	
53	518708401	087122	Fissaggio compressore	Rubber compressor	
54	830R06600	093431	Condensatore 5R D4,76	Condenser 4R D8	
54b	546R24200	*	Copertura condensatore	Condenser cover	
55	511708800	089697	Ventola 230-31 (elco)	Ventola 230-31(elco)	
56	546709500	089755	Protezione ventola	Fan protection	
57	515R12700	093259	Serpentina evap. acqua di conden.	Evaporation water pipe	
58	543R09300	093260	Fissaggio serpentina	Stopper pipe	
59	682R12700	096482	Ventilatore condens.(EBM NIQ3212)	Condenser fan (EBM NIQ3212)	a2,a3
59	684R14200	096995	Ventilatore condens. (ELCO VNT)	Condenser fan (ELCO VNT 11.20)	
59a	635R37900	097055	Cablaggio ventilatore	Fan wiring	
59b	504R15800	096660	Lamiera protezione ventola	Fan condenser protection	b,e,h,l,o,q,t,v,w,x, a2,a3,a4,a5,a7,a8
60	858R06700	*	Scambiatore 2m TN R290	Heat exchanger	a,b,c,d,f,g,h,i, j,k,m,n,o,p,r,s, t,u,x,y,z,a1,a2,a3
60	858R06400	093507	Scambiatore 2m TN R290	Heat exchanger	e,l,q,v,w,a5,a8
61	858R00100	099949	Filtro 15 gr	Dehidrator filter	
61	805769901	099629	Filtro 40 gr	Dehidrator filter	a2,a3
62	A02021800	0A8171	Valvola per compressore	Compressor valve (charge or disch.)	
63	830R04002	093335	Evaporatore 3R 8T	Evaporator 4R 8T	Up to 6441
63	830R10600	094576	Evaporatore 3R 8T	Evaporator 3R 8T	From 6451
63	830R04102	093430	Evaporatore 4R 8T	Evaporator 4R 8T	j,k,x,y,z,a1
64	546R19201	093469	Vaschetta evaporatore	Evaporator tray	
65	682R08600	094477	Ventilatore evaporatore (EBM IQ3612)	Evaporator fan (EBM IQ3612)	j,k,x,y,z,a1 up to 2021/37
65	682R12700	096482	Ventilatore evap.(EBM NIQ3212)	Evaporator fan (EBM NIQ3212)	j,k,x,y,z,a1,a2,a3 from 2021/38 up to 2022/15
65	684R14200	096995	Ventilatore evap. (ELCO VNT)	Evaporator fan (ELCO VNT 11.20)	j,k,x,y,z,a1,a2,a3 from 2022/16 Up to 2023/49
65	682R12700	096482	Ventilatore evap.(EBM NIQ3212)	Evaporator fan (EBM NIQ3212)	j,k,x,y,z,a1,a2,a3 from 2023/50
65	684R14200	096995	Ventilatore evap. (ELCO VNT)	Evaporator fan (ELCO VNT 11.20)	b,e,h,l,o,q,t,v,w, x,a4,a5,a6,a7
65a	511708800	089697	Ventola 230-31 ebm	Fan 230 -31 ebm	Not for j,k,x,y,z,a1,a2,a3
65a	511R01000	093365	Ventola 230-34 ebm	Fan 230 -34 ebm	j,k,x,y,z,a1,a2,a3
65b	635R37900	097055	Cablaggio ventilatore	Fan wiring	j,k,x,y,z,a1,a2,a3 from 2021/38 up to 2022/15
65b	635R37900	097055	Cablaggio ventilatore	Fan wiring	j,k,x,y,z,a1,a2,a3 from 2023/50

Pos	Fact .Code	Code	Descrizione	Description	Ref, - Note
66	66	546709500	Motor fan support	089755	Griglia ventilato-
67	646R06700	092173	Sonda cella	Cavity probe	
68	617R06001	093427	Resistenza con termost. 2-3R	Heating element with thermostat	e,l,q,v,w,a5,a8
69	514R11600	093487	Molla per fissaggio termostati	Thermostat spring	e,l,q,v,w,a5,a7,a8
70	514R11100	093508	Molla per fissaggio resistenza	Heating element spring	e,l,q,v,w,a5,a7,a8
70a	501R40700	093509	Deviatore aria	Air conveyer	
71	648R06300	093848	Rele' FINDER 66.82.8.230.0001	Relay FINDER 66.82.8.230.0001	
72	501R44101	093510	Convogliatore evaporat. pala 230	Evaporator conveyer	Up to 6441
72	501R44103	094429	Convogliatore evaporat. pala 230	Evaporator conveyer	From 6451
72	502R57901	094428	Convogliatore evaporat. pala 230	Evaporator conveyer	j,k,x,y,z,a1,a2,a3
73	639R09900	093528	Morsettiera	Clamp	All except for a4 up to 2022/41
73	855R0AA00		Morsettiera	Clamp	Full door a,b,e,f,h,i,m,o,q, r,t,v,w,a5,a6,a7,a8
73	855R0AC00		Morsettiera	Clamp	Glass door c,d,g,i,j,k,n,p,s, u,x,y,z,a1,a2,a3 from 2022/42
73	856R31501		Morsettiera	Clamp	a4 up to 2022/41
73	855R0AJ00		Morsettiera	Clamp	a4 from 2022/42
74	835R24101	093261	Assieme Calotta	Evaporator cover	Up to 6181
74	835R47601	*	Assieme Calotta	Evaporator cover	From 6191
75	14701R003	093262	Neoprene espa. 8x13,3 nero (M4)	Gasket cover (neoprene 8x13,3)	
76	217555204	093245	Vite senza punta x plastica	Cover screw	
77	546R19702	093263	Tamponcino per tubi	Pipe cover insulation	
78	546R26501	094425	Copertura scatola impianto elettrico	Wiring box cover	Not for a4,a6
78a	546R26701	093976	Scatola impianto elettrico	Wiring box	Not for a4,a6
79	694R00502	096636	Filtro antidisturbo	Electric filter	
80	501R49702	094617	Rivestimento ant. sup. AISI 304	Upper front covering AISI 304	
81	546R26800	094451	Basamento gruppo	Basement	
99	880R56810	*	Cruscotto con termoregolat.A304	Panel with termoregulator A304	a,f,m,r
99	880R56904	*	Cruscotto con termoregolat.A304	Panel with termoregulator A304	b,h,o,t up to 2021/37
99	883R79300	*	Cruscotto con termoreg. A430 UK	Panel with termoregulator A430 UK	b,h,o,t from 2021/38
99	880R60908	*	Cruscotto con termor.. PV A304	Panel with termoregulator A304 GL	c,g,j,n,s,y,z
99	880R61008	*	Cruscotto con termor.. PV A430	Panel with termoregulator A430 GL	d,i,k,p,u,a1
99	880R61008	*	Cruscotto con termor.. PV A430	Panel with termoregulator A430 GL	x up to 2021/37
99	883R80400	*	Cruscotto con termor.. PV LED A430	Panel with termoregulator A430 GL LED	x from 2021/38
99	880R51210	*	Cruscotto con termor. A304	Panel with termoregulator A304	e,l,q,v,w,a5 up to 2021/37
99	883R79000	*	Cruscotto con termor. A304	Panel with termoregulator A304	e,l,q,v,w,a6,a7 from 2021/38
99	883R79900	*	Cruscotto con termor.. PV LED A304	Panel with termoregulator A304 GL LED	a2
99	883R80400	*	Cruscotto con termor.. PV LED A430	Panel with termoregulator A430 GL LED	a3
99	883R27701	*	Cruscotto con termor. con luce	Panel with termoregulator with light	a4 up to 2021/37
99	883R78701	*	Cruscotto con termor. A304 con luce	Panel with termoregulator A304 with light	a4 from 2021/38
99	883R88700	*	Cruscotto con termor. A304 UK	Panel with termoregulator A304 UK	a8
100	509R13003	093569	Cruscotto A304	Panel 304 AISI	a,c,e up to 29/2013
100	509R13004	095827	Cruscotto A304	Panel 304 AISI	a,c,e,f,g,j,l,m,n,q, r,s,v,w,y,z,a5 from 30/2013
100	509R13103	093570	Cruscotto A430	Panel 430 AISI	b,d up to 29/2013
100	509R13104	094436	Cruscotto A430	Panel 430 AISI	b,d,h,i,k,o,p,t,u, x,a1 from 30/2013
100	509R25200	096189	Cruscotto A304	Panel 304 AISI	a2
100	509R25300	096190	Cruscotto A430	Panel 430 AISI	a3 up to 2021/37
100	509R25301	*	Cruscotto A430	Panel 430 AISI	b,h,o,t,x,a3

Pos	Fact .Code	Code	Descrizione	Description	Ref, - Note
100	509R25700	*	Cruscotto A304	Panel 304 AISI	from 2021/38
100	509R25701	097283	Cruscotto A304	Panel 304 AISI	a4 up to 2021/37 a4 from 2021/38
100	509R26900	*	Cruscotto A304	Panel 304 AISI	Up to 2022/41
100	509R25201	*	Cruscotto A304	Panel 304 AISI	a4 from 2022/42 e,l,q,v,w,a2,a6,a7,a8 from 2021/38
102	832R10100	093609	Cerniera per cruscotto dx	Hinge for panel	
102a	832R10200	093610	Cerniera per cruscotto sx	Hinge for panel	
103	833R20900	093345	Serratura	Lock	
103	833R21100	093433	Serratura	Lock	a4
104	640712100	087485	Micro porta	Door switch	x,a2,a3
104	640R02100	094035	Micro porta	Door switch	Always except for a4
104	640R02100	094035	Micro porta	Door switch	For a4 from 2022/42
105	646R10803	093532	Termoregolatore ir33 IMEL1J0545	Thermoregulator IMEL1J0545	a,b,e,f,h,l,m, o,q,r,t,v,w,a5 Up to 2022/41 Order KIT 097586
105	646R11000	093329	Termoregolatore ir33 gab/mass PV	Thermoregulator Gab/Mass GL	See TB VTX2022_08 c,d,g,i,j,k,n,p,s,u, x,y,z,a1,a2,a3 Up to 2022/41 Order KIT 097586
105	646R11101	093434	Termoregolatore ir33 IMEL1J0548	Thermoregulator IMEL1J0548	See TB VTX2022_08 a4 up to 2022/48 Order KIT 097629 See TB VTX2023_02
105	855R18400	097579	Termoregolatore IJF	Thermoregulator IJF	From 2022/42 Except for a4 To be set
105	855R18400	097579	Termoregolatore IJF	Thermoregulator IJF	From 2022/49 - a4 To be set
106	501R37403	094389	Protezione	Protection led-lamp	x,a2,a3,a4 up to 2021/43
106	504R35000	097245	Protezione	Protection led-lamp	x,a2,a3,a4 from 2021/44 Up to 2022/41
106	546R26601	093975	Protezione	Protection led-lamp	b,e,h,l,o,q,t,v,w, a5,a6 Up to 2022/41
106	504R39300	097576	Protezione	Protection	From 2022/42
107	501R37502	093354	Staffa fiss. protez.termoregolatore	Bracket support	Up to 2022/17 for glass door
107	501R37502	093354	Staffa fiss. protez.termoregolatore	Bracket support	Up to 2021/37 for full door
107	504R24400		Staffa fiss. protez.termoregolatore	Bracket support	a4
107a	546R43401	097284	Supporto impianto elettrico	Electrical wiring support	Glass door from 2022/18
108	140088006	0L0113	Guarnizione	Guarnizione	
109	755R03902	093268	Membrana adesiva	Stiker	Up to 7381
109	755R03902	093268	Membrana adesiva	Stiker	v
109	598R81500	095022	Membrana adesiva Zanussi	Zanussi sticker	For Zanussi products
109	598R81601	095023	Membrana adesiva Electrolux	Electrolux sticker	From 7391 for To brand products
109	598R81701	095024	Membrana adesiva Alpen	Alpen sticker	For Alpen products

Pos	Fact .Code	Code	Descrizione	Description	Ref, - Note
109	598R98501		Membrana adesiva Elux Prof	Elux Prof sticker	a4 - Elux Prof Up to 2022/41
109	595R75500	097612	Membrana adesiva Elux Prof	Elux Prof sticker	a4 - Elux Prof from 2022/42
109	598R99100		Membrana adesiva Zanussi	Zanussi sticker	a4 - Zanussi Up to 2022/41
109	595R75700	097614	Membrana adesiva Zanussi	Zanussi sticker	a4 - Zanussi from 2022/42
109	598R99200		Membrana adesiva Alpen	Alpen sticker	a4 - Alpen Up to 2022/41
109	595R75600	097613	Membrana adesiva Alpen	Alpen sticker	a4 - Alpen from 2022/42
109	598R98301		Membrana	Sticker	b,e,a2,a3,a6,a8
109	598R95601		Membrana Blizzard Professional	Blizzard Professional membrane	t
109	598R98601	097058	Membrana Zanussi	Zanussi membrane	h,l,x,a7
110	546R12100	092353	Protezione micro	Door switch protection	Always except for a4
110	546R12100	092353	Protezione micro	Door switch protection	For a4 from 2022/42
112	639R06800	*	Connettore dritto 3 vie	Connector 3 ways right	
112	639R06900	*	Connettore dritto 7 vie	Connector 7 ways right	
112		099740	Connettore 90° 7 vie	Connector 7 ways 90°	
112		099741	Connettore 90° 5 vie	Connector 5 ways 90°	
112		088998	Connettore 90° 3 vie	Connector 3 ways 90°	
112		099743	Connettore 90° 3 vie piccolo	Connector 3 ways 90° small	
112		099742	Connettore 90° 2 vie	Connector 2 ways 90°	
112		091682	Connettore 90° 4 vie	Connector 4 ways 90°	
112		091684	Connettore 90° 5 vie	Connector 5 ways 90°	
112	639R04V00	097578	Connettore femmina 3 vie	Connector 3 ways female	From 2022/42
114	855R12801	093809	Led +supporto per termoreg. IR33	Led-lamp + support for thermoreg. IR33	a4 up to 2022/41
114	855R0A000		Led +supporto per termoreg. IJF	Led-lamp + support for thermoreg. IJF	a4 from 2022/42
115	546R19501	093386	Supporto scheda led	Support led-lamp	a4
116	546R19601	093387	Protezione scheda led	Protection led-lamp	a4
117	648R05001	093389	Scheda led per termoreg. IR33	Led-lamp board for thermoreg. IR33	a4 up to 2022/41
117	648R02J00		Scheda led per termoreg. IJF	Led-lamp board for thermoreg. IJF	a4 from 2022/42
*	639R09600	093180	Convertitore spina UK	UK plug converter	
118	624R01400	093270	Alimentatore PV	Light power GL	c,d,g,i,j,k,n, p,s,u,x,y,z,a1
118	648R11300	096179	Alimentatore PV LED	Light power GL LED	a2,a3 up to 2021/37
118	648R11700	097052	Alimentatore PV LED	Light power GL LED	a2,a3 from 2021/37
119	569R05900	093390	Guarnizione per scheda led	Ledlamp board gasket	a4

Finanzen / Service
28307 Bremen
Thalendorststraße 15
Tel.+49 421 48557-0
Fax+49 421 488650
bremen@nordcap.de

Vertrieb Ost
12681 Berlin
Wolfener Straße 32/34, Haus K
Tel.+49 30 936684-0
Fax+49 30 936684-44
berlin@nordcap.de

Vertrieb West
40699 Erkrath
Max-Planck-Straße 30
Tel.+49 211 540054-0
Fax+49 211 540054-54
erkrath@nordcap.de

Vertrieb Nord
21079 Hamburg
Großmoorbogen 5
Tel.+49 40 766183-0
Fax+49 40 770799
hamburg@nordcap.de

Vertrieb Süd
55218 Ingelheim
Hermann-Bopp-Straße 4
Tel.+49 6132 7101-0
Fax+49 6132 7101-20
ingelheim@nordcap.de



www.nordcap.de